

R82<sup>®</sup> 

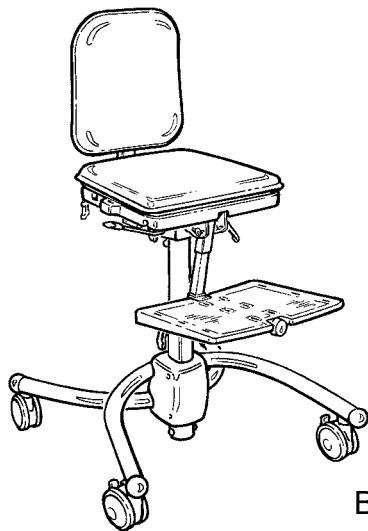
wombat<sup>™</sup>

**English user manual**

G  
B

## **GB** CONTENTS

Safety .....	4
Warranty .....	4
Tools .....	4
Wombat ready to use .....	5
Adjusting seat and back .....	6
Height adjustment basic frame .....	7
Height adjustment upgrade frame .....	8
Head support.....	9
Swing-away side supports .....	10
Armrest and tray .....	11
Hip supports .....	12
Pommel .....	12
Swing-away knee supports.....	13
Foot rest .....	14
Helpers handles.....	15
Vests and belts .....	15
Vest and cross vest .....	17
Sternum belt .....	17
Chest belt .....	18
Hip belt .....	18
Y-hip strap .....	19
Pelvis harness .....	19
Ankle straps.....	20
Foot straps.....	20
Hand cuff .....	21
H-belt.....	21
pushbrace.....	22
The sitting comfort of the back cushion .....	23
The sitting comfort of the seat cushion.....	24
Product identification .....	25
Measurements.....	26
Technical data.....	27
Producer .....	27
Distributor .....	27
Care and maintenance .....	28
Stain removal guide.....	29



Basic



Upgrade

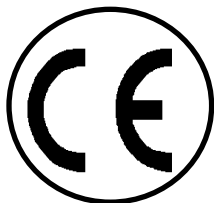
## **GB** WOMBAT

Congratulations on choosing the WOMBAT. We are convinced that it will fully live up to your expectations. Like any other quality product from R82, the WOMBAT has been developed on the basis of many years of experience, producing and adapting aids and appliances for disabled persons.

The Wombat is the activity chair from R82, available in 3 sizes and 2 versions: WOMBAT basic and WOMBAT upgrade

The Wombat basic is available with manual height adjustment or with a gaspring. The Wombat upgrade is available with gaspring or an electrical motor. Both versions is delivered with a multiadjustable seat, back and footrest.


This user manual is meant as guide to assist the user in gaining the full benefit of the many options offered by the Wombat. Therefore we recommend you to go through this manual before the Wombat is put into use.





## **GB** SAFETY


The Wombat has earned the CE-mark. This certifies that it meets all relevant European safety requirements.


The durability of this product is 5 years when it is used on a daily basis. Hereafter the product must be renovated (by R82 personnel) to extend the lifetime.


 Remove the CE-mark, when rebuilding the product or when using other than original R82 spare parts and fittings.

 Never leave your child unattended in this product. Ensure constant supervision by an adult. Incorrect use of the product, may cause serious injury to the user. Ensure that the belt is securely fixed to the product before every use.

 The Wombat is for indoor use only.

 The push chair is constructed for one user only. Do not place more than one user in the push chair.

 Not recommended for users with a lot of involuntary movements.


 The latest version of the manual is always available online: [www.R82.com](http://www.R82.com)

## **GB** WARRANTY

R82 offers a 2-year warranty against defects in workmanship and materials and a 5-year warranty on breakage of the metal frame caused by defects in welds. The warranty would be adversely affected if the customer's responsibility of servicing and/or daily maintenance is not carried out according to the guidelines and intervals prescribed by the supplier and/or stated in the manual. For further information, we refer to the R82 homepage/download. The warranty can only be sustained if the R82 product is in use in the same country where it was purchased and if the product can be identified by the serial number. The warranty does not cover accidental damage, including damage caused by misuse or neglect. The warranty does not extend to non-durable parts, which are subject to normal wear and tear and need periodic replacement. The warranty is null and void if non-original R82 parts/accessories are used, or if the product is repaired or altered by anyone other than an authorised R82 representative or by trained personnel officially recognised by R82 for repair and maintenance of R82 products. R82 reserves the right to inspect the product being claimed for and the relevant documentation before agreeing to the warranty claim, and to decide upon whether to replace or repair the defective product. It is the customer's responsibility to return the item being claimed for under warranty to the address of purchase. The warranty is given by R82 or, subsequently, an R82 dealer.

## **GB** TOOLS

Use the enclosed Allen keys to perform the adjustments described in this manual.

 When adjustments have been made, then make sure to tighten up.

## **GB** WOMBAT READY TO USE

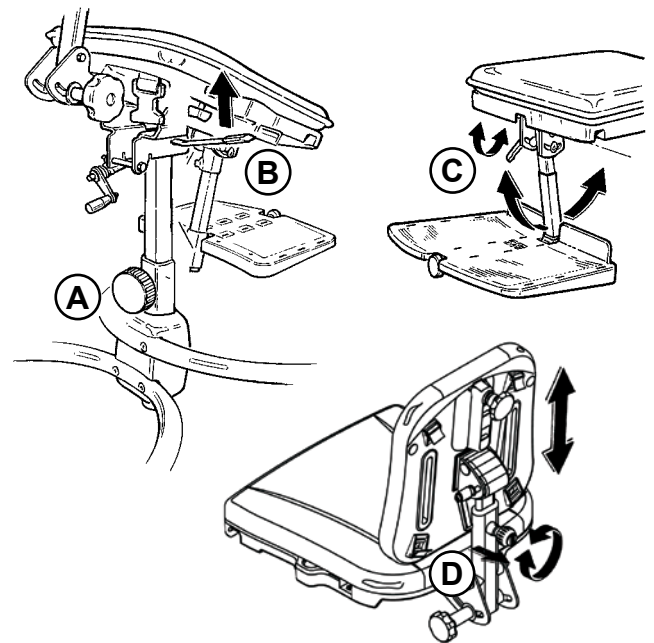
### Wombat Basic:

When you unpack your Wombat, you will find the back of the chair packed separately.

Begin by removing the frame from the box. Loosen handle (A) on the central bar. Release handle (B) under the right-hand side of the seat so the seat can be raised.

Pull out the footrest so that it is at a right angle to the bar. Loosen the tightening handle (C) for the footrest bar under the seat and adjust the footrest.

The back support is fitted on to the seat by turning the knob clockwise and pulling out the knob (D) behind the back support bar and attaching the back there.



### Wombat Upgrade:

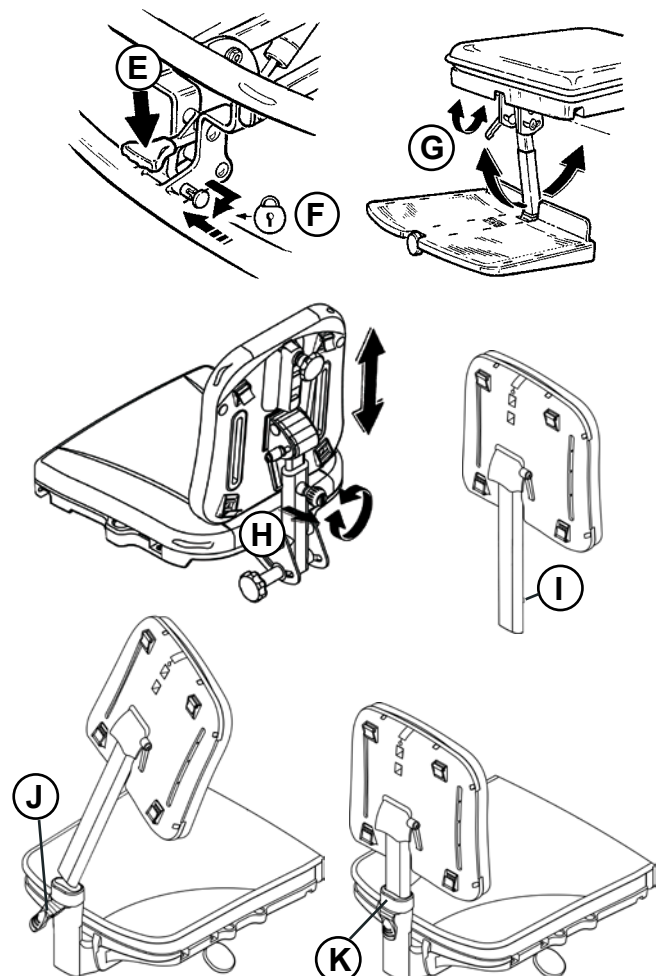
When you unpack your Wombat, you will find the back of the chair packed separately.

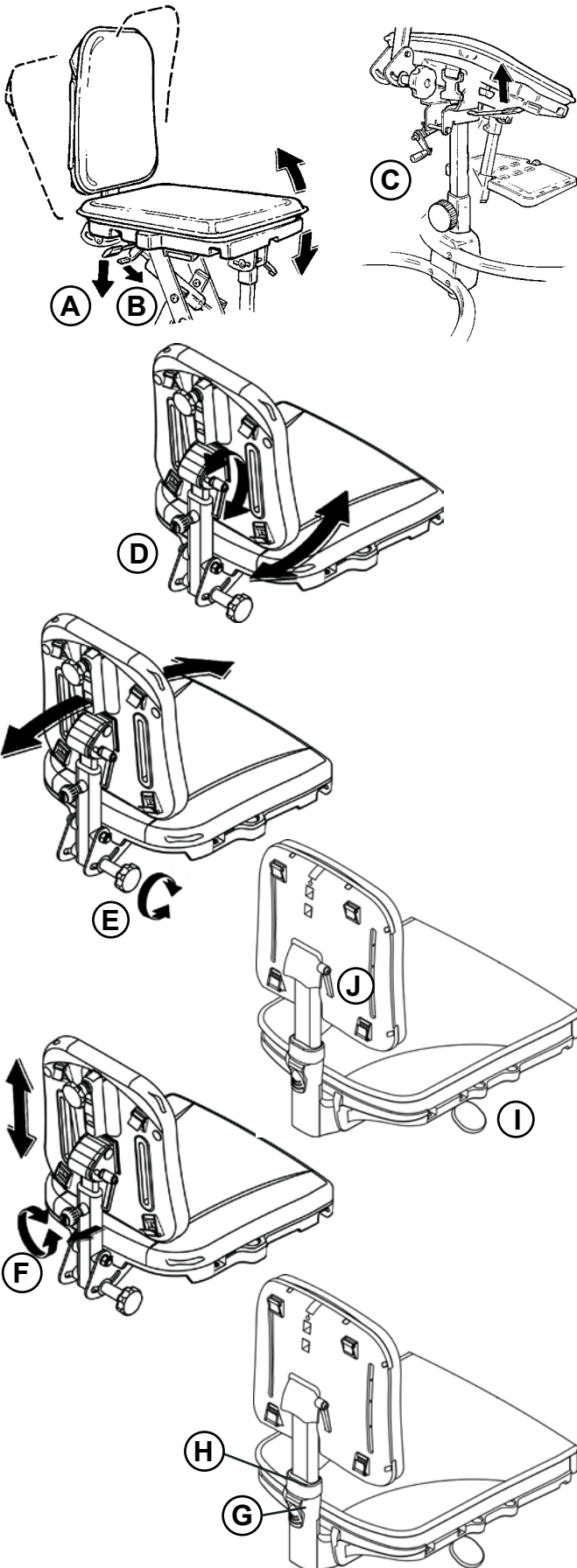
Begin by removing the frame from the box. Raise the seat unit by placing your foot on the pedal (E). Remember first to loosen the safety lock (F) to the right of the pedal.

Pull out the footrest so that it is at a right angle to the bar. Loosen the tightening handle (G) for the footrest bar under the seat and adjust the footrest.

Size 1+2: The back support is fitted on to the seat by turning the knob clockwise and pulling out the knob (D) behind the back support bar and attaching the back there.

Size 3: First remove the security nut (I) to be able to mount the back on size 3. Pull out the locking lever (J). Mount the backsupport bar in the fitting and tip into vertical. Depress the blue ring (K) to push down the bar in the fitting. Mount the security nut again. Adjust the height to the desired position. Resecure the locking lever.






## **GB** ADJUSTING SEAT AND BACK

The angle of the Wombat Upgrade seat is adjustable by simply pushing the release handle (A), located below the seat. Tip away the safety device (B) before pushing the release handle.

The angle of the Wombat Basic seat is adjustable by turning the handle (C), located below the seat.

 Always keep a hand on the backrest to avoid the seat from tipping too much forward.

Furthermore it is possible to angle the back by loosen the grip (D) on the back of the chair.

Seat depth (size 1+2):  
To minimize the seat depth, push the back forward and adjust the angle. To adjust the back, loosen the handle (E).

Seat depth (size 3):  
Pull the handle under the seat (I) and push the back forward or backward. Loosen the handle (J) on the back and adjust the back as requested.

Back height (size 1+2):  
Adjust the back height by loosen the knob (F). Turn the knob counterclockwise to loosen. Then pull out the knob and the back is adjustable in height. Let go of the knob and the wanted back height will be locked. Turn the knob again - this time, clockwise, and the lock will be further ensured.

Back height (size 3):  
Pull out locking lever (G) and depress the blue ring (H) to adjust the back height. Adjust the height to the desired position and release the blue ring (H). Resecure locking lever (G).

**GB**

## **GB** HEIGHT ADJUSTMENT BASIC FRAME

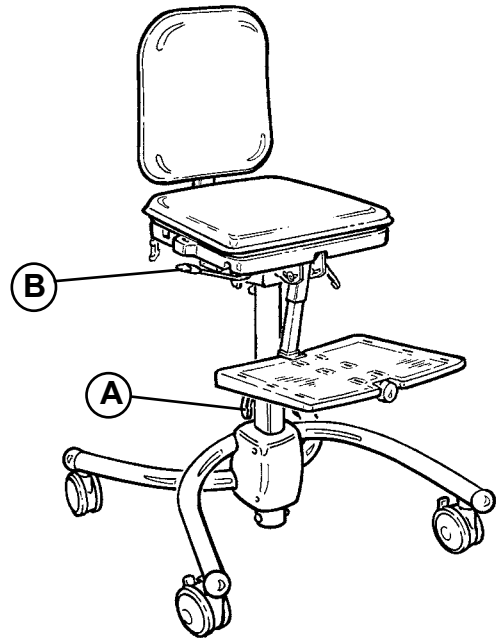
The Wombat basic frame is height adjustable either manual or with gasspring.

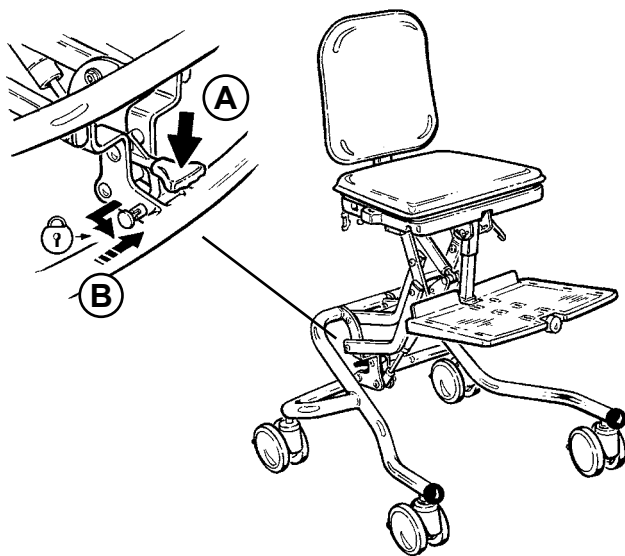
### The Wombat basic with manual adjustment:

To adjust the Wombat basic in height, loosen the grip (A). Adjust the height and fasten at the wanted position.

### The Wombat basic with gasspring:

To adjust the frame height with a gasspring, push down the release handle (B) below the seat. Tip away the safety device before pushing the release handle.





## **GB** HEIGHT ADJUSTMENT UPGRADE FRAME

The Wombat upgrade frame is adjustable either with gassing or with an electrical motor.

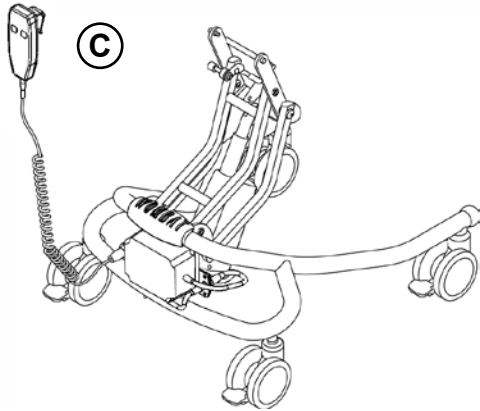
### The Wombat upgrade with gassing:

The height is adjustable -from floor to table-height. When pressuring the footpedal (A) the height is adjusted. The footpedal is equipped with a security knob (B).

### The Wombat upgrade with electrical motor:

Use the handset (C) to adjust the height of the seat.

**!** If the chair has to be used in the lowest position, the foot rest has to be removed first.



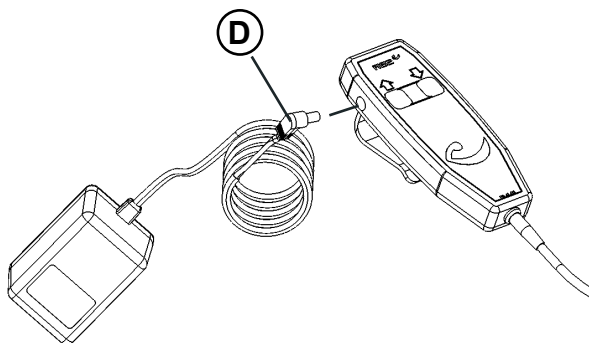
### Recharging the batteries (D):

- 1) Plug the charging lead into the handset.
- 2) Plug the charger into the electricity supply and switch on, the light on the charger will light up.
- 3) Charge the batteries until the lamp on the charger turns off.
- 4) Charge the batteries every night or for 8-12 hours. The batteries can not be charged to much. But do not drain the batteries completely. The batteries are to be replaced within a periode of 4 years.

**!** For optimum lifetime of the actuator, connect it to the mains voltage 12 hours before use.

**!** Do not leave the child by it self with the handset and do not let ohter child play around with the handset.

**!** The electric frame does not have a safety stop at the height adjustment function.



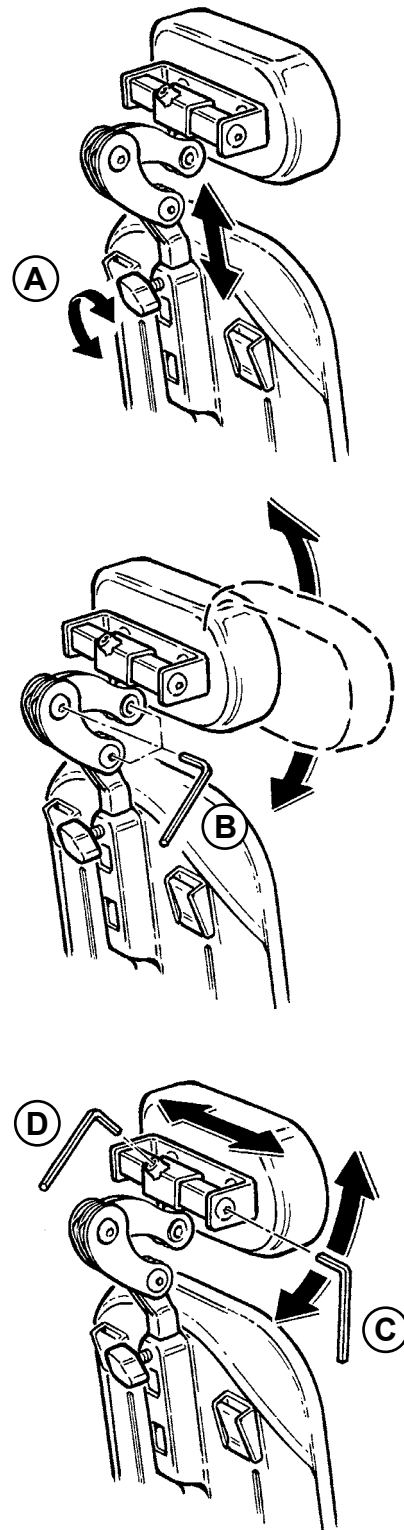


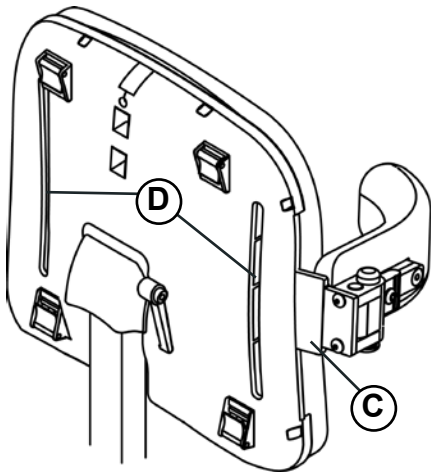
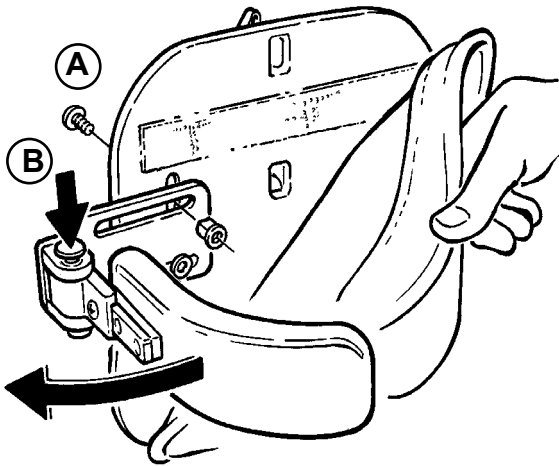
## **GB** HEAD SUPPORT

The head support is mounted in the back of the chair and is fastened with the finger screw (A).

Use the enclosed 5 mm Allen key to loosen the screws (B) and to adjust the head support.

Angle the head support further by loosen the screw (C). Adjust the head support sideways by loosen the screw (D).





## **GB** SWING-AWAY SIDE SUPPORTS


### Wombat size 1+2:

Remove the back cushion and mount the side support in the slots in the back, using the enclosed screws and the 5 mm Allen key (A). Do not use the long screws.

Push down the red button (B) to swing-away the side support.

### Wombat size 3:

The adjustable swing side support is fitted into the groove at the back of the chair (C). Secure the long screws one by one to grooves (D) at the rear of the back support. Place the nuts one by one in the small hole at the front of the back support. Make sure that the first screw passes through the groove plate and is properly threaded into the nut before securing the next screw. Do not use the short screws.

 It is recommendable to oil the swing away parts occasionally.

## **GB** ARMREST AND TRAY

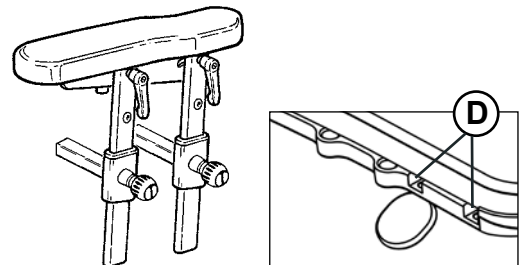
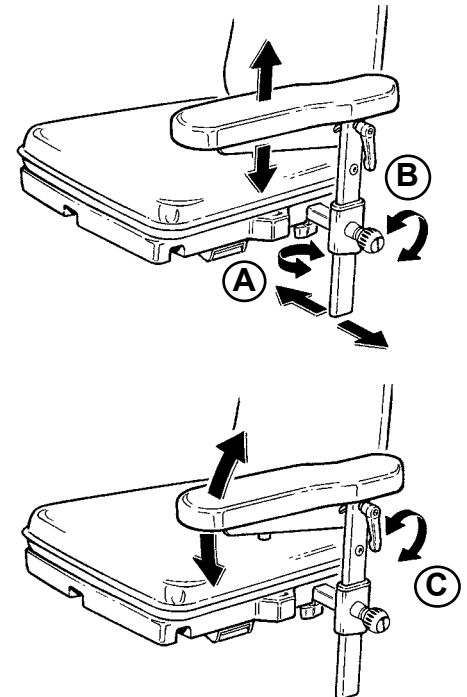
Mount the armrest fitting in the side of the seat and adjust sideways. Fasten with the finger screws below the seat (A).


The armrests are heightadjustable by loosen the knob (B). Turn the knob counter clockwise to loosen. Then pull out the knob and the armrest is adjustable in height. Let go of the knob and the wanted back height will be locked. Turn the knob again - this time, clockwise, and the lock will be further ensured.

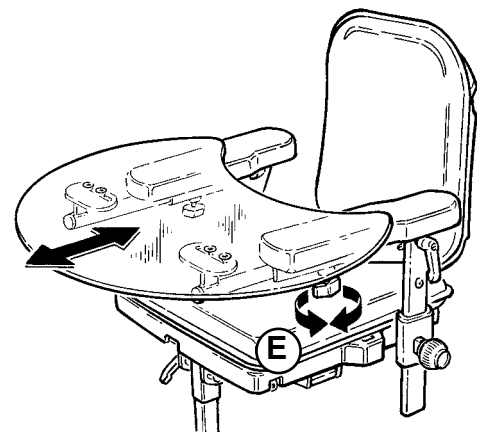
Angle the armrest by loosen the grib (C). Fasten at the wanted angle.

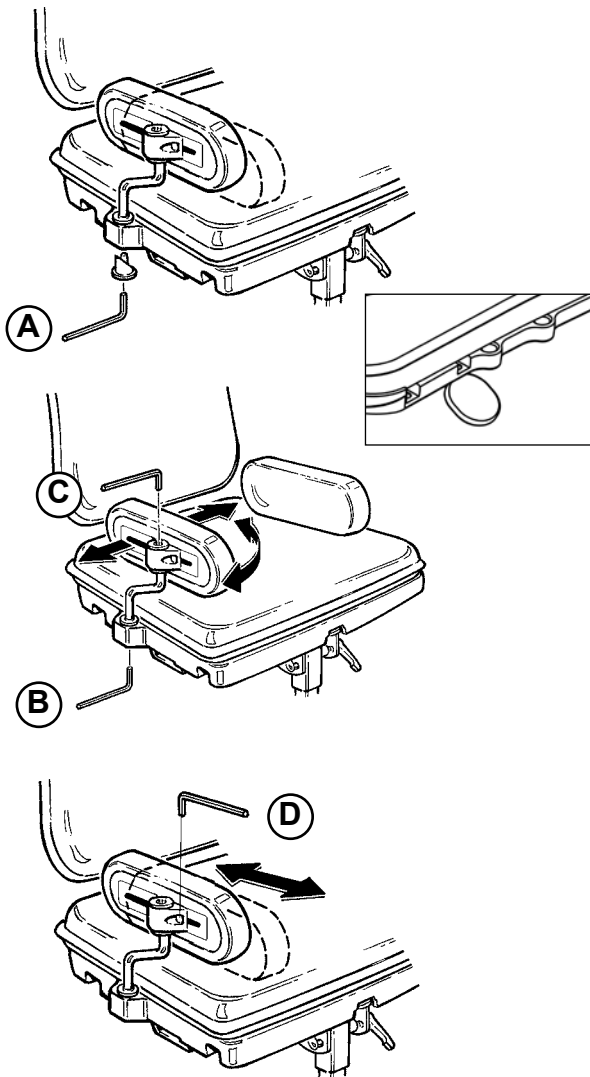
The armrest for size 3 has two vertical bars which fits into the two holes in the seat (D). Loosen and turn the knob to angle adjust the armrest.

The tray is mounted by leading the bar into the pipe below the seat. Fasten at the wanted position with the finger screws (E).



 The tray can be stabilized by mounting bars at both sides of the tray.





## **GB** HIP SUPPORTS

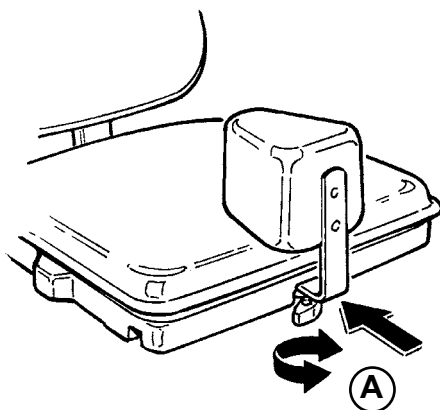
Use the enclosed 5 mm Allen key to mount the hip supports in the seat (A).

**!** Wombat size 3 offers two different fitting options for hip supports.

Loosen the two screws (B) and (C) to adjust the hip supports all round. Fasten with the enclosed 5 mm Allen key.

Use the enclosed 4 mm Allen key to loosen the screws (D) and adjust the hip support in depth. Adjust the depth in the slots and fasten in the wanted position.

**G  
B**



## **GB** POMMEL

Mount the pommel in front of the seat.

Adjust the depth by loosen the fingerscrew (A) below the seat.

## **GB** SWING-AWAY KNEE SUPPORTS

The knee supports are mounted in the side of the seat and fastened with two 4 mm screws below the seat (A).

Use the 5 mm Allen key to loosen the screw (B) and angle the knee supports.

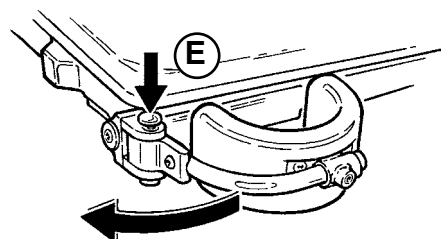
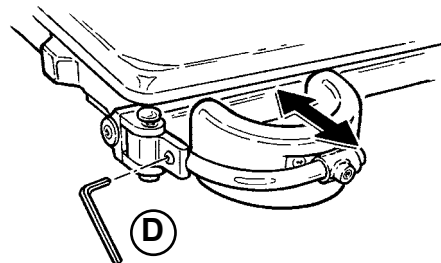
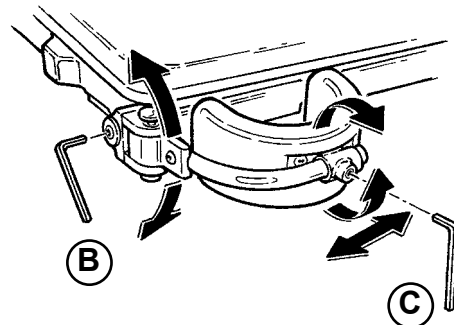
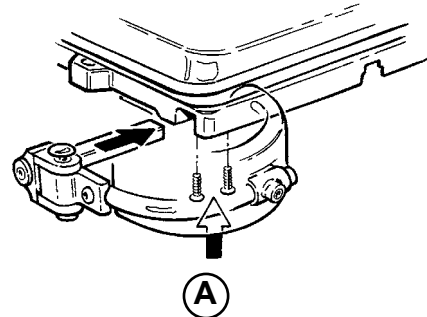
Angle the cushion on the knee support by using the 4 mm Allen key and loosen the screw (C).

Use the 4 mm Allen key to loosen the screw (D) and adjusting the depth. Fasten at the wanted position.

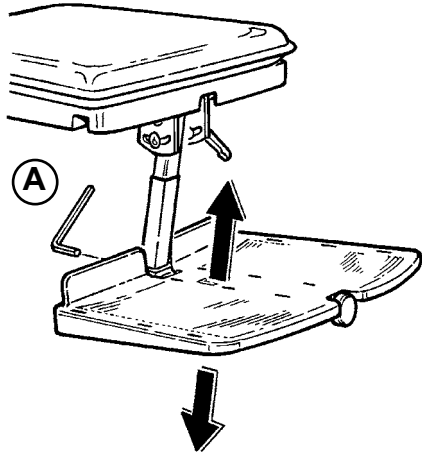
Push down the red button (E) to swing away the knee support.



It is recommended to oil the swing away parts occasionally.

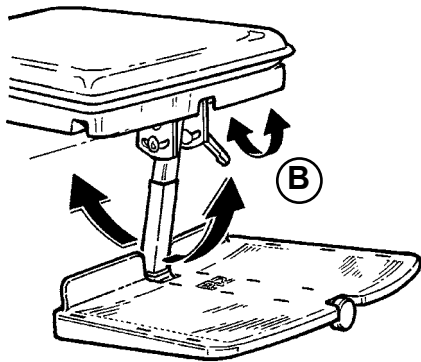


## GB FOOT REST

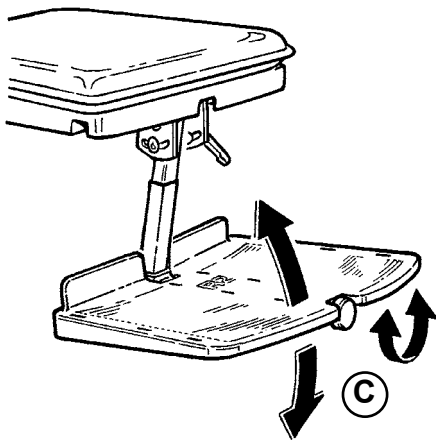


As standard, the Wombat is delivered with foot rest. It is possible to dismount the foot rest - an advantage when using the Wombat at floor height. Further the foot plate can be adjusted in height. Use the enclosed 4 mm Allen key to loosen/fasten (A).

To angle the foot rest bar, loosen the grip (B). Adjust the angle and fasten.

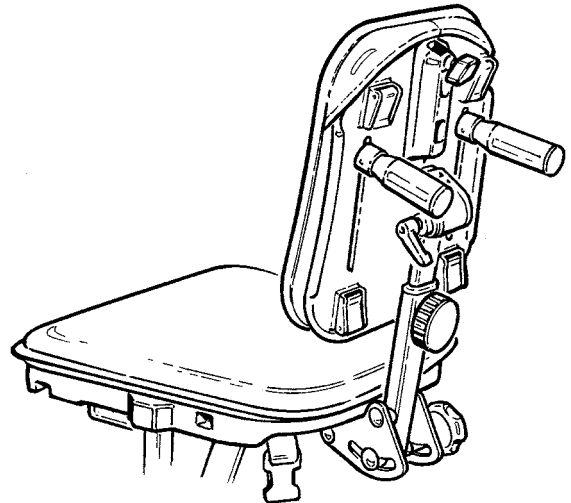


Angle the foot plate by turning the screw in front of the plate (C).



## GB HELPERS HANDLES


Mount the handles on the back of the seat and tip up/down when needed.

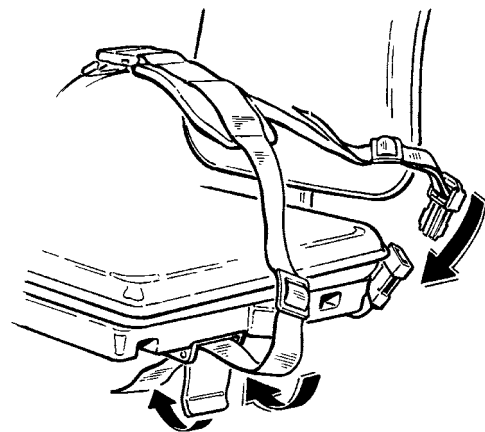


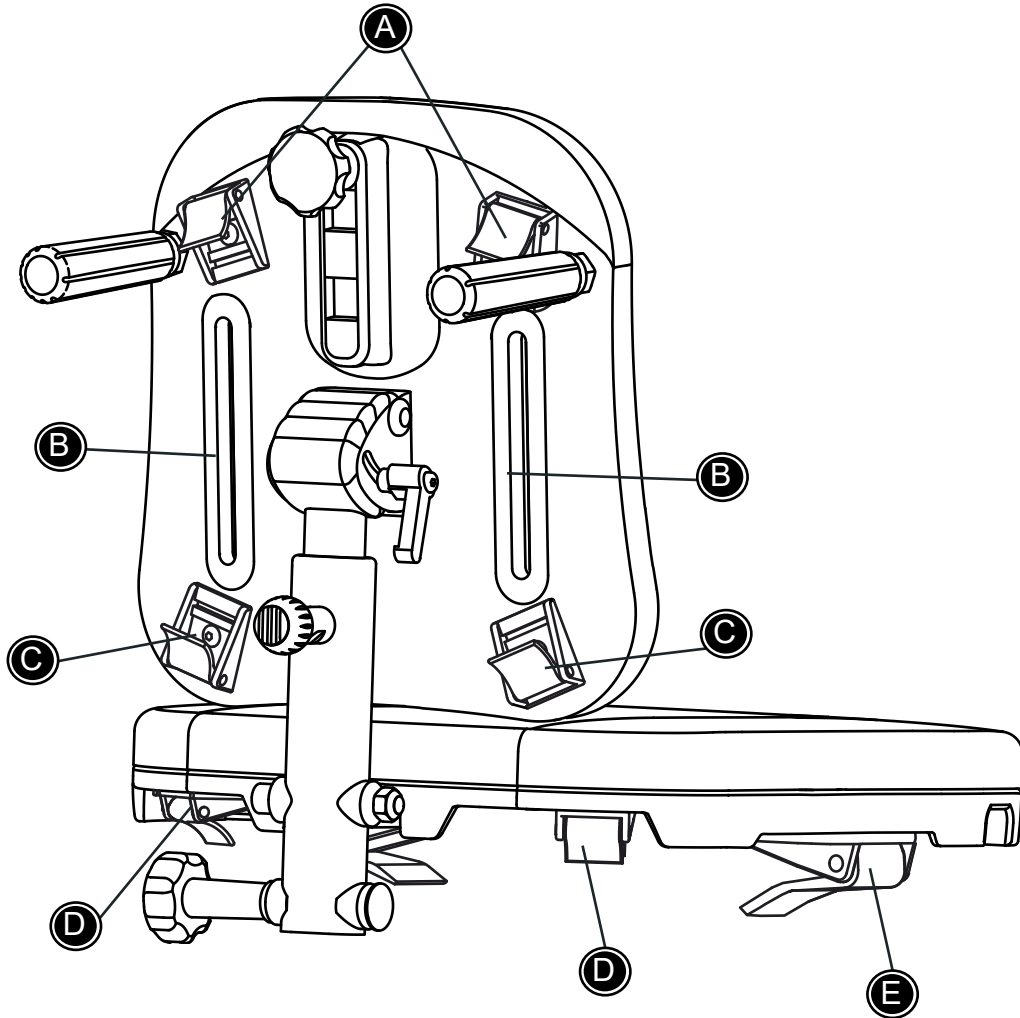
## GB VESTS AND BELTS

The Wombat can be equipped with various vests and belts.

To ease the mounting, the Wombat is equipped with two 40 mm and two 25 mm buckles below the seat and four 25 mm buckles on the back.

 Take care that all the fixations and adjustments are placed and fitted correctly and check it on a regular basis.





**G**  
**B**

Use this drawing together with the descriptions on the following pages.

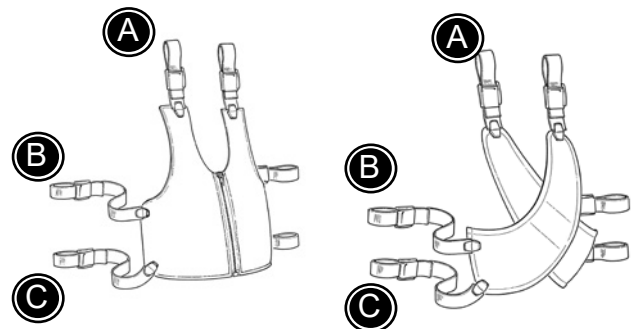



## GB VEST AND CROSS VEST

The vest and cross vest can be opened and closed by using the buckles and the zipper.

Follow the instructions below, with help from page 16.

- \* Mount the shoulder straps in the belt fittings on the upper back. (A)
- \* Lead the upper straps in the sides through the slots in the back (B) and fit a fix-lock on the strap.
- \* Mount the lower straps in the sidest in the belt fittings on the lower back (C).



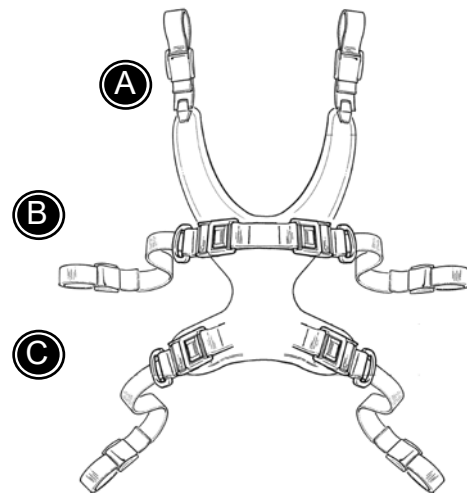
 Take care that all the fixations and adjustments are placed and fitted correctly and check it on a regular basis.


## GB STERNUM BELT

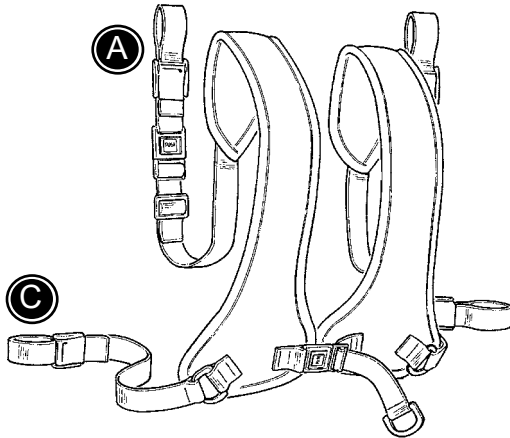
The sternum belt can be opened and closed by using the buckles.

Follow the instructions below, with help from page 16.

- \* Mount the shoulder straps in the belt fittings on the upper back. (A)
- \* Lead the upper straps in the sides through the slots in the back (B) and fit a fix-lock on the strap.
- \* Mount the lower straps in the sidest in the belt fittings on the lower back (C).



 Take care that all the fixations and adjustments are placed and fitted correctly and check it on a regular basis.




## **GB** CHEST BELT

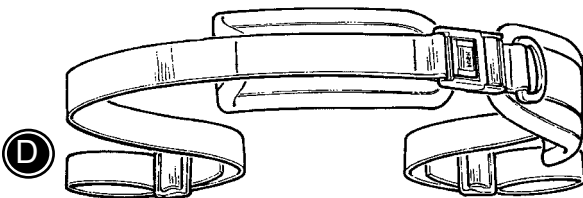
The chest belt can be opened and closed by using the buckles.

Follow the instructions below, with help from page 16.

- \* Mount the shoulder straps in the belt fittings on the upper back. (A)
- \* Mount the straps in the sides in the belt fittings on the back (B).

 Take care that all the fixations and adjustments are placed and fitted correctly and check it on a regular basis.

**G  
B**




## **GB** HIP BELT

The hip belt can be opened and closed by using the buckles.

Follow the instructions below, with help from page 16.

- \* Mount the straps in the belt fittings under the seat (D).

 Take care that all the fixations and adjustments are placed and fitted correctly and check it on a regular basis.

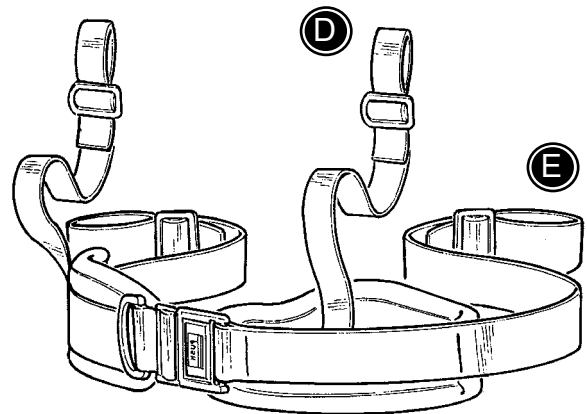
## **GB** Y-HIP STRAP


The Y-hip strap can be opened and closed by using the buckles.

Follow the instructions below, with help from page 16.

- \* Mount the straps in the belt fittings under the seat (D).
- \* Mount the straps (E) in the belt fittings (E) in the front of the seat.

E and D can be exchanged.

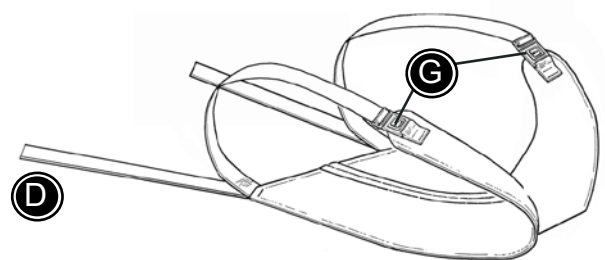



 Take care that all the fixations and adjustments are placed and fitted correctly and check it on a regular basis.

## **GB** PELVIS HARNESS

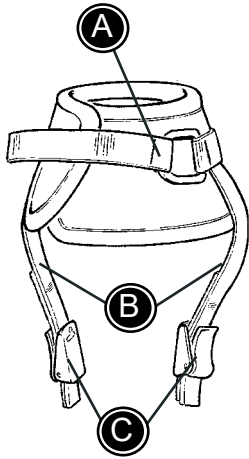
Follow the instructions below, with help from page 16.

- \* Open the buckles (G).
- \* Mount the straps (D) in the belt fittings under the seat (D).
- \* Place the user on the harness and close the buckles (G) over the thighs.



 Take care that all the fixations and adjustments are placed and fitted correctly and check it on a regular basis.

**G  
B**




## **GB** ANKLE STRAPS

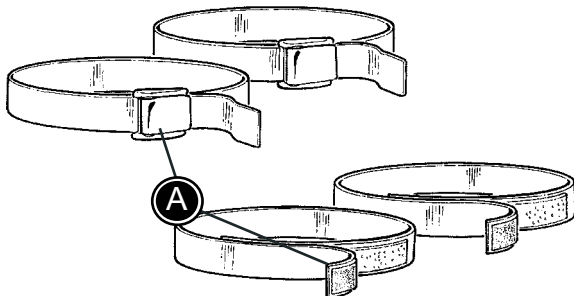
The ankle straps can be opened and closed by using the velcro or the buckle (A).

Follow the instructions below for mounting.

- \* Remove the buckles (C).
- \* Pull the straps (B) through the slides in the foot plates.
- \* Mount the buckles (C) again and make sure the straps do not slide off.

 Take care that all the fixations and adjustments are placed and fitted correctly and check it on a regular basis.

**GB**




## **GB** FOOT STRAPS

The foot straps can be opened and closed by using the velcro or the buckle (A).

Follow the instructions below for mounting.

- \* Open the straps and pull them (A) through the slides in the foot plates.
- \* Close the straps around the users foot.


 Take care that all the fixations and adjustments are placed and fitted correctly and check it on a regular basis.

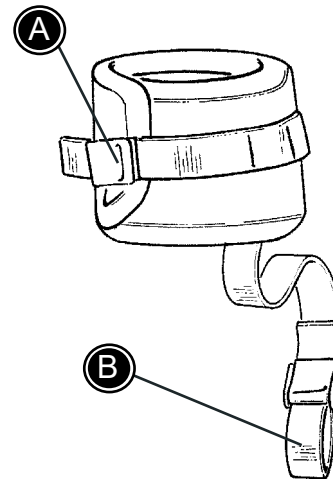
## **GB** HAND CUFF

The hand cuff can be opened and closed by using the buckle (A).

Follow the instructions below for mounting.

- \* Mount the hand cuff around the users wrist.
- \* Mount the strap (B) around the arm rest bar.

 Take care that all the fixations and adjustments are placed and fitted correctly and check it on a regular basis.




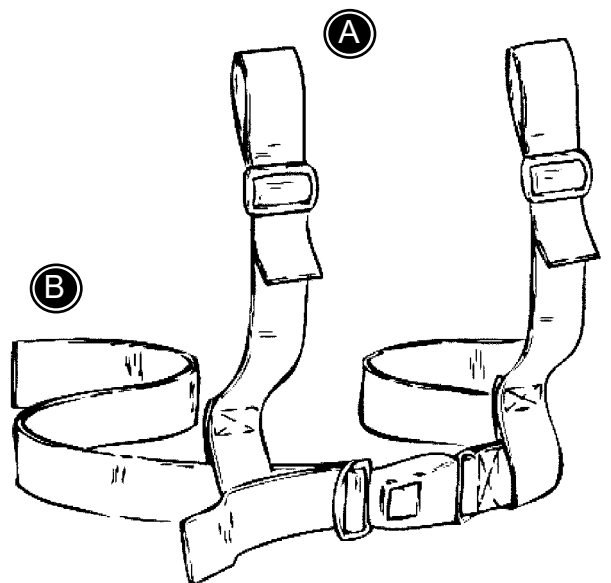
## **GB** H-BELT

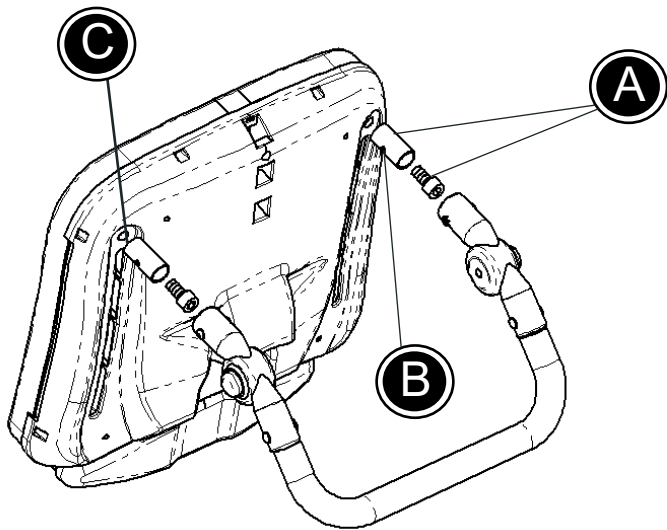
The H-belt can be opened and closed by using the buckle.

Follow the instructions below, with help from page 16.

- \* Mount the shoulder straps in the belt fittings on the upper back. (A)
- \* Mount the straps in the sides in the belt fittings on the back (B).

 Take care that all the fixations and adjustments are placed and fitted correctly and check it on a regular basis.



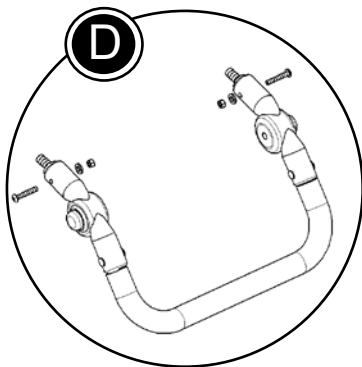


## **GB** PUSHBRACE

Place the round bush in each side of the back of the Wombat and mount them with the big bolt (A). Pay attention that the two holes in the bush are to be placed horizontally (B), when the bush is fastened with the enclosed 8 mm Allen key. Be aware of the angled face of the bush. The bush should be mounted to the back of the chair in a straight position (C).

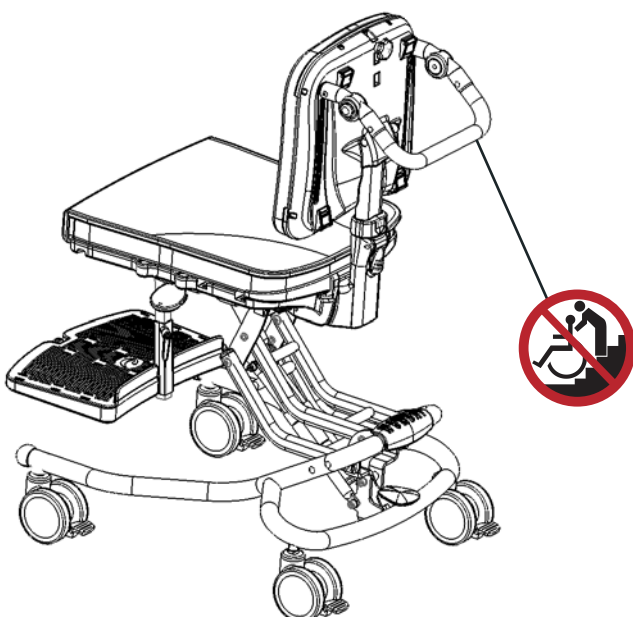
Place the pushbrace onto the two bushes.

Place the small bolts (D) in the outer holes, through the pushbrace and the bush. The bolt and nut are placed in the inside and fastened with the enclosed 3 mm Allen key.



**!** Do not ever use the pushbrace to lift/pull the chair up or down from stairs, landings, curbs etc. The chair can only be lifted by two persons lifting the frame evenly. Never use the pushbrace to lift the chair

**GB**



## **GB** THE SITTING COMFORT OF THE BACK CUSHION

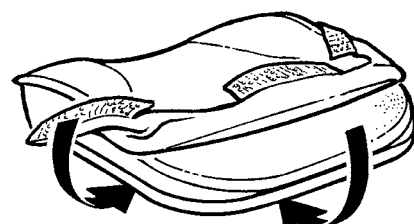
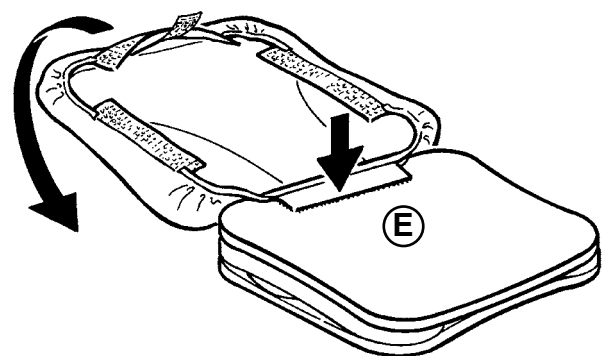
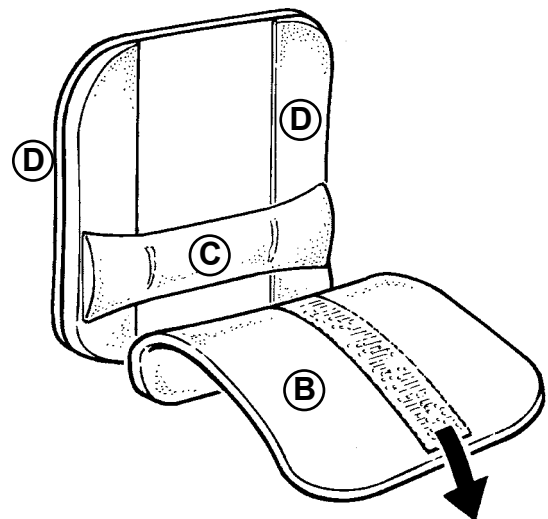
Optimum sitting comfort is very easily gained in the Wombat chair, using the velcro sheeted wedges.

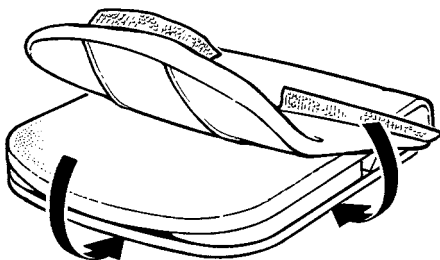
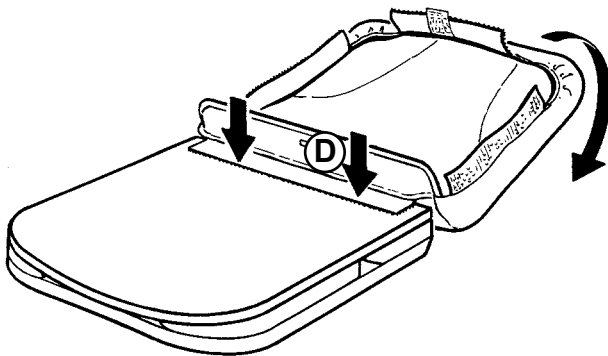
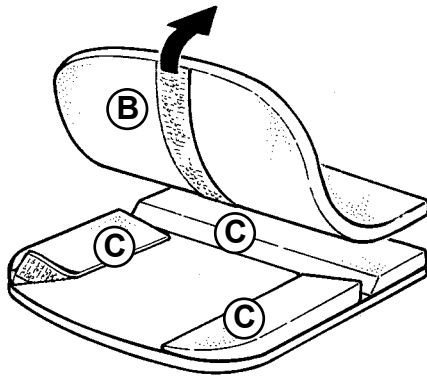
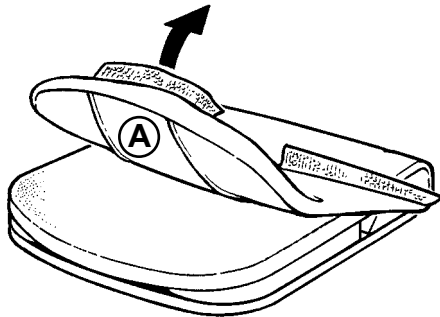
- 1) Open the velcro sealings at the top and sides of the cover (A) and turn the cover complete or partly in side out.
- 2) Loosen the front sheet (B) and roll it down .
- 3) The lumbar support (C) and the wedges (D) are adjustable and removable as required.
- 4) Mounting the cover:

If the cover was removed from the cushion, it is important always to mount it in the right order.

Put down the cushion upside down and turn the cover inside out.

To mount the cover, start mounting the velcro at the lowest edge (E) of the cover and the cushion. Now place the cover on the front of the cushion and fix it at the sides and at the top.





## **GB** THE SITTING COMFORT OF THE SEAT CUSHION

Optimum sitting comfort is very easily gained in the Wombat chair, using the velcro sheeted wedges.

- 1) Open the velcro sealings at the front and sides of the cover (A) and turn the cover complete or partly in side out.
- 2) Loosen the top sheet (B) and roll it up.
- 3) The wedges (C) are adjustable and removable as required.
- 4) Mounting the cover:

If the cover was removed from the cushion, it is important always to mount it in the right order.

Put down the cushion upside down and turn the cover inside out.

To mount the cover, start mounting the velcro at the rearmost edge (D) of the cover and the cushion. Now place the cover on the front of the cushion and fix it at the sides and at the front edge.



## **GB** PRODUCT IDENTIFICATION

### A) Serial number

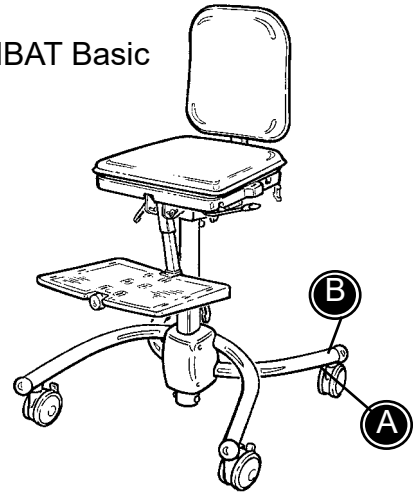
WOMBAT basic:

The label is placed on the inside of the frame just above left rear wheel.

WOMBAT upgrade:

The label is placed on the inside of the frame just above left rear wheel.

WOMBAT Basic



### B) Manufacturer

WOMBAT basic:

The label is placed on the frame just above left rear wheel.

WOMBAT upgrade:

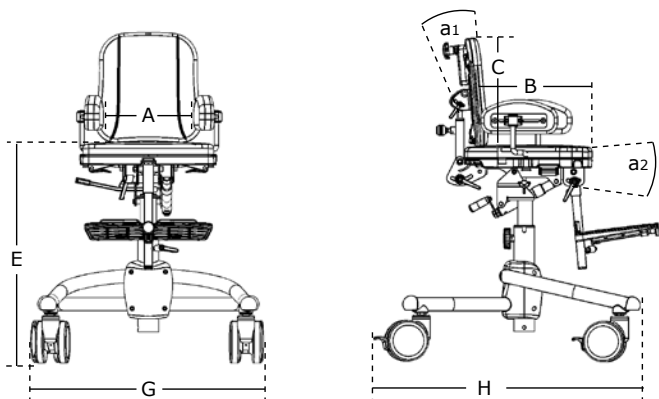
The label is placed on the frame just above left rear wheel.

WOMBAT Upgrade

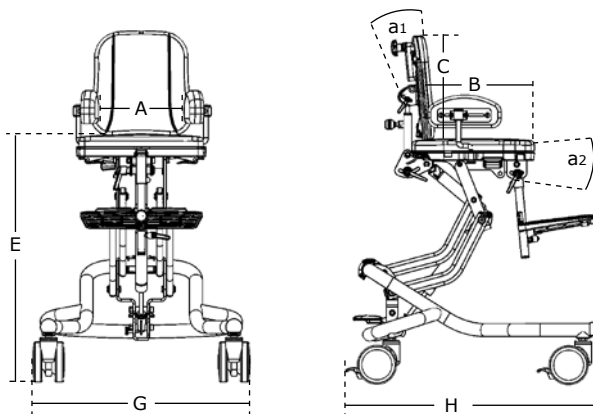


**G  
B**

## WOMBAT Basic



## WOMBAT Upgrade



## GB MEASUREMENTS

	Wombat basic Size 1	Wombat basic Size 2	Wombat upgrade Size 1	Wombat upgrade Size 2	Wombat upgrade Size 3
	mm (inch)	mm (inch)	mm (inch)	mm (inch)	mm (inch)
Seat width (A)	210-300 (8¼-11½")	280-370 (11-14½")	210-300 (8¼-11½")	280-370 (11-14½")	250-440 (13¾-17¼")
Seat depth (B)	160-290 (6¼-11¼")	230-360 (9-14")	160-290 (6¼-11¼")	230-360 (9-14")	300-480 (11½-18¾")
Back height (C)	280-340 (11-13¼")	310-380 (12-14¾")	280-340 (11-13¼")	310-380 (12-14¾")	390-500 (15¼-19½")
Seat height (E)	460-660 (18-25¾")	460-660 (18-25¾")	340-690 (13¼-27")	340-690 (13¼-27")	380-680 (14¾-26½")
Frame width (G)	550 (21½")	550 (21½")	550 (21½")	550 (21½")	610 (21½")
Frame length (H)	600 (23¾")	600 (23¾")	610 (23¾")	610 (23¾")	720 (28¾")
Back angle	40°	40°	40°	40°	43°
Seat angle	-20° to +15°	-20° to +15°	-20° to +15°	-20° to +15°	-22° to +10°
Max. load	45 kg (99 lb)	45 kg (99 lb)	45 kg (99 lb)	45 kg (99 lb)	70 kg (154 lb)
Weight	14,5 kg (32 lb)	14,5 kg (32 lb)	15,5 kg (34 lb)	15,5 kg (34 lb)	22 kg (48½ lb)

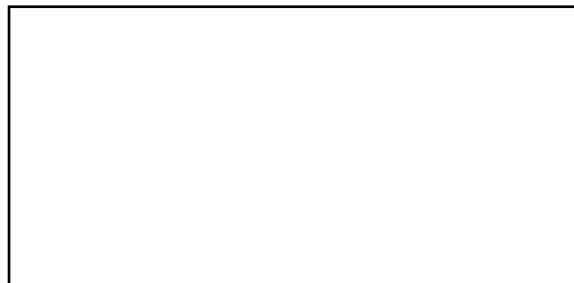
**GB** TECHNICAL DATA

Seat: ABS  
Cushions: Fireresistant foam  
Cover: Fireresistant Trevira CS  
Frame: Powderpainted steel

**GB** PRODUCER

R82 A/S  
Parallelvej 3  
8751 Gedved  
Denmark

**GB** DISTRIBUTOR



*Please find your distributor on [www.R82.com](http://www.R82.com)*

## **GB** CARE AND MAINTENANCE

### UPHOLSTERY

The upholstery is made of fire resistant foam and comfort material. The upholstery can easily be removed from the cushion and can be machine washed at 40°. Further, regular vacuum cleaning and brushing will help to preserve the fabric's colour and appearance.

### WHEELS

The Wombat wheels should be regularly cleaned using a damp cloth. If the wheels are particularly dirty, a grease remover can be used.

### CENTRAL BRAKES

The central brake cables should be tightened when needed. Check that the brakes work at least once a month.

### FRAME

Fasten all screws underneath the chair on a regular basis. Further, it is important to keep the chair clean, both for your own comfort and the longevity of the chair. The frame should be regularly cleaned using a damp cloth.



Do not use any cleaning materials containing chlorine or methylated spirit.

### INSPECTION

It is important to fasten all screws on the chair on a regular basis. All screws which secure the accessories have to be checked, at least once a month. Further, it is important to be aware of any indications of beginning faults on the frame, PVC parts and the like.

### REPAIR

If there is a fault on your chair you should contact your dealer at once. Defective chairs should not be used. If your chair needs reconditioning or repair, only original R82 parts must be used. Accessories or available spare parts which are broken can be forwarded to R82 for repair. If fault in the fundamental parts, the whole chair need to be returned to R82 for repair. R82 will not be held responsible for damage or injury caused by use of non-original parts or repairs made by a non-authorized R82 person.



The gasspring functions without any maintenance.

Do not expose the gasspring to pressure, high temperatures or perforation.



The batterybox

The battery box may make out an environ-mental danger, therefore it should be brought into a recycling centre, when it is not to be used any more.

**GB** STAIN REMOVAL GUIDE

**BLOOD**

Wash off blood with cold water. If this fails to help, add a neutral kitchen detergent.

**INK**

Remove as much as possible with absorbent paper. Clean with 20% denatured alcohol and wash with water to which a neutral kitchen detergent has been added.

**CHOCOLATE AND CONFETIONARY**

Dab with lukewarm water

**GRASS AND VEGETABLES**

Dab with lukewarm water with or without a neutral kitchen detergent.

**COFFEE, TEA AND MILK**

Remove as much as possible with absorbent paper. Dab with water containing a neutral kitchen detergent.

**BALLPOINT PEN AND COSMETICS**

Clean with alcohol

**NAIL POLISH**

Dab with nail polish remover. Use acetone if this fails to help.

**OIL AND GREASE**

First sprinkle talcum on the spot and leave. Then brush away. Finally, dab carefully with a cloth moistened with benzene or alcohol.

**SHOE POLISH**

Dab carefully with a cloth moistened with benzene or alcohol.

**JAM, SYRUP, FRUIT AND JUICE**

First remove as much as possible with a spoon. Then dab with lukewarm water.

**WINE AND SPIRITS**

First remove as much as possible with absorbent paper. Then dab with water containing a neutral kitchen detergent. Finally, rinse with diluted denatured alcohol.

**PAINT, OILBASED**

First clean with turpentine. Then dab with water containing a neutral kitchen detergent. Seek expert advice if the spot is old.

**PAINT, WATERBASED**

Dab with cold water containing a neutral kitchen detergent. Seek expert advice if the spot is old.





