

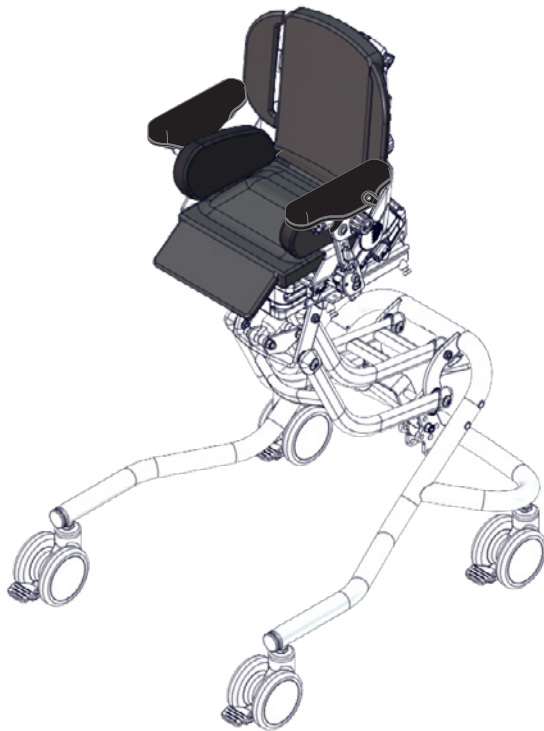
# x:panda shape TS

## Exploded views / Parts list

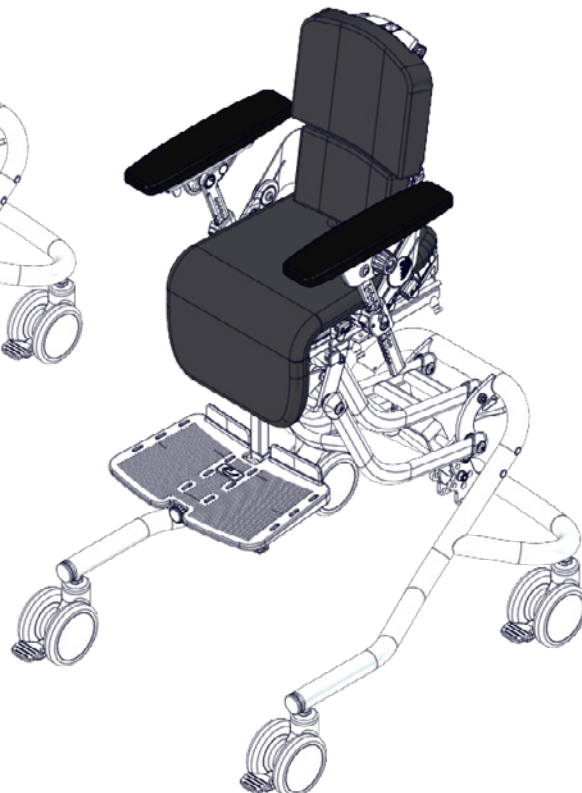
Rev. date (2024.06)

On the following pages you will find the parts used to assemble this product. Please note that some spare parts cannot be purchased individually but are part of a complete kit. Please also note that for some spare parts extra delivery time may occur.

**Size infant**



**Size 1-2-3**



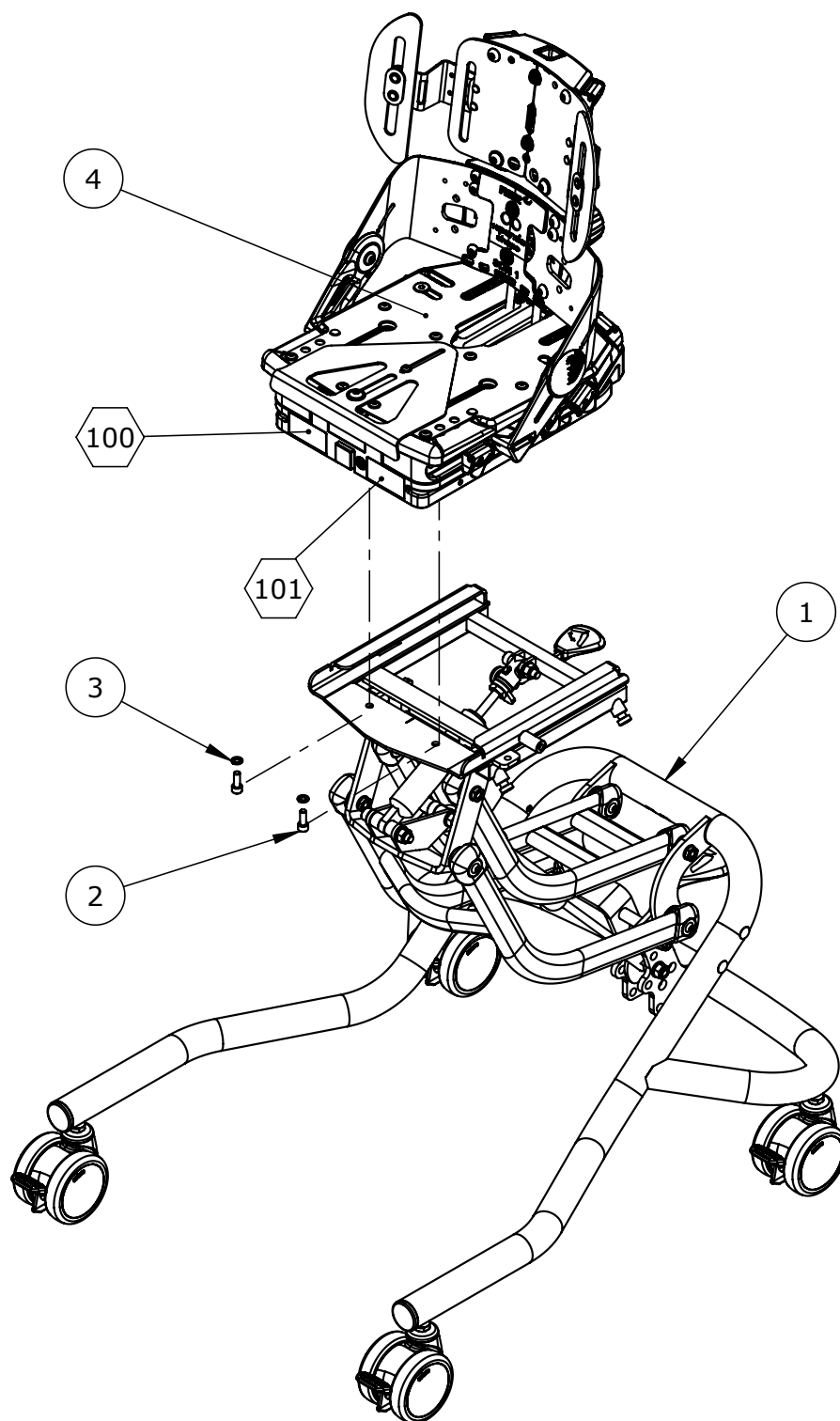
## Contents

### Table of content

Contents .....	2
x:panda shape TS size infant .....	4
Item numbers for x:panda shape TS size infant .....	5
x:panda shape TS size 1 - gas.....	6
Item numbers for x:panda shape TS size 1 - gas.....	7
x:panda shape TS size 2 - gas.....	8
Item numbers for x:panda shape TS size 2 - gas.....	9
x:panda shape TS size 3 - power.....	10
Item numbers for x:panda shape TS size 3 - power.....	11
Accessories.....	12
Item numbers for x:panda shape TS accessories .....	13
x:panda shape TS Cushions .....	15
Item numbers for x:panda shape TS Cushions .....	16
Simple seating size 1.....	20
Item numbers for Simple seating size 1.....	21
Simple seating size 2.....	22
Item numbers for Simple seating size 2.....	23
Simple seating size 3.....	24
Item numbers for Simple seating size 3.....	25
Advanced seating size 1.....	26
Item numbers for Advanced seating size 1.....	27
Advanced seating size 2.....	29
Item numbers for Advanced seating size 2.....	30
Advanced seating size 3.....	32
Item numbers for Advanced seating size 3.....	33
Infant kit.....	35
Item numbers for Infant kit.....	36
Arm supports size 4, incl. cover .....	37
Item numbers for Arm supports size 4, incl. cover (905016-70, 905016-80).....	38
Arm supports size 4, excl. cover.....	39
Item numbers for Arm supports size 4, excl. cover (905016-00).....	40

Arm supports size 1, 2 & 3 incl. cover .....	41
Arm supports size 1, 2 & 3 incl. cover (905013-70, 905013-80, 905014-70, 905014-80, 905015-70, 905015-80) .....	42
Arm supports size 1, 2 & 3, excl. cover (8910615-1, 8910616-1, 8910617-1) .....	43
Item numbers for Arm supports size 1, 2 & 3, excl. cover (8910615-1, 8910616-1, 8910617-1).....	44
Size 1, Gas spring without seat.....	45
Item numbers for size 1, Indoor Gas spring without seat .....	46
Size 2, Gas spring without seat.....	47
Item numbers for Size 2, Gas spring without seat.....	48
Size 3, Power without seat .....	50
Item numbers for Size 3, Power Without seat .....	51
Foot rest.....	53
Item numbers for Foot rest.....	54
Anti-tippers .....	56
Item numbers for Anti-tippers (890007, 890007-1, 890009) .....	57
Threshold assistance.....	58
Item numbers for Threshold assistance (890025).....	59
Lock of height adjustment.....	60
Item numbers for Lock of height adjustment (890024).....	61
Extra gas spring, to support height adjustment.....	62
Item numbers for Extra gas spring, to support height adjustment (890001, 890002, 890003).....	63
Communication aid assembly .....	64
Item numbers for Communication aid assembly (8910860).....	65
Bracket for Ekstra high foot support.....	66
Item numbers for Bracket for Ekstra high foot support (85135).....	67
Foot operated central brake kit, size 2 - 3, gas and power .....	68
Item numbers for Foot operated central brake kit, size 2 - 3, gas and power (890012-2) .....	68

x:panda shape TS size infant

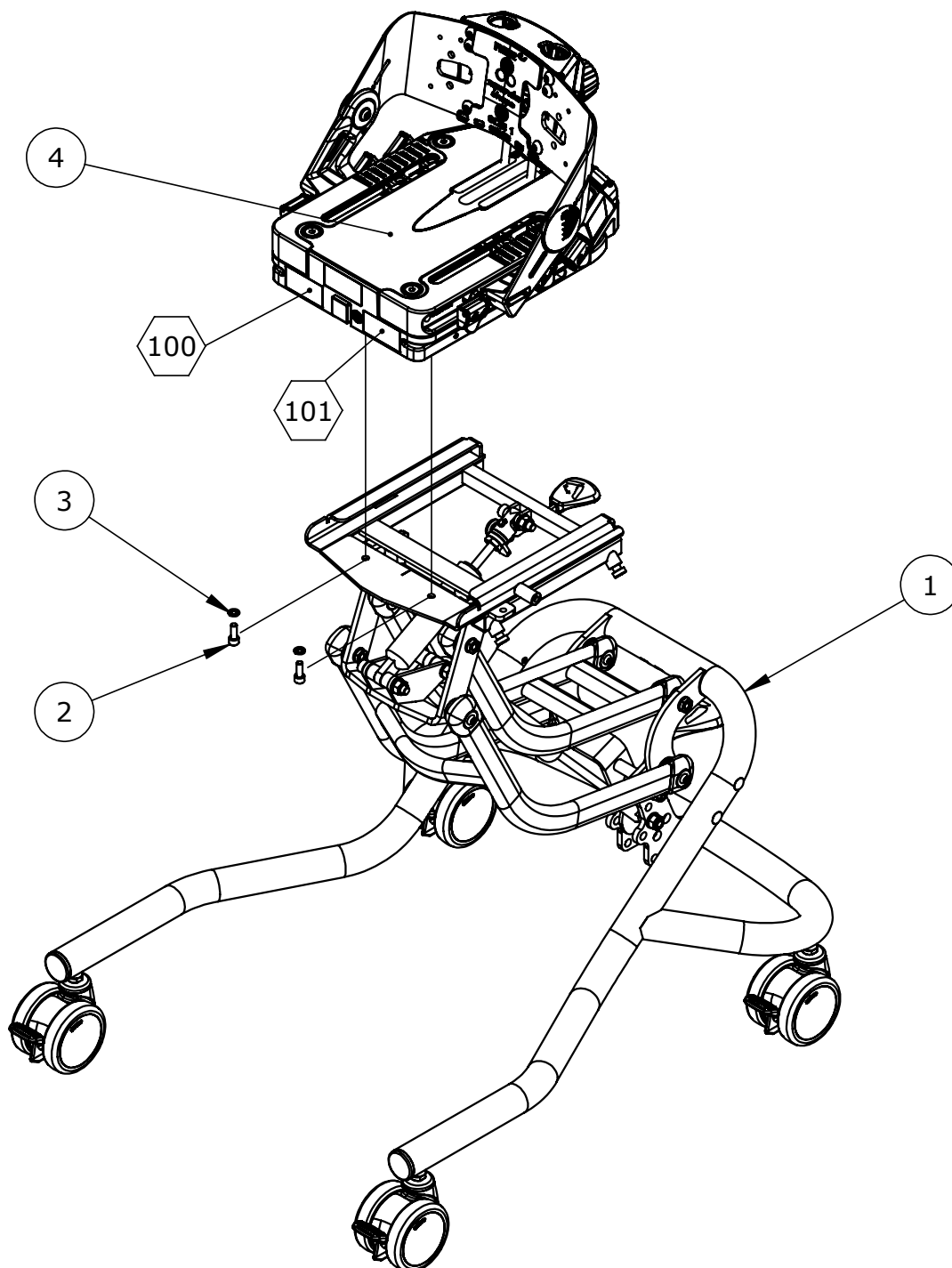




## Item numbers for x:panda shape TS size infant

Position	No.	Description		Quantity	Unit of Measure	Ean code
1*	174754-10IN	High/low s.l gas f xp shape TS	White	1	PCS	5707292995957
	174754-04IN	High/low s.l gas f xp shape TS	Black	1	PCS	5707292995940
2	0602200	Insex screw 6x16		2	PCS	5707292138095
3	1100800	Center spring washer 6mm		2	PCS	5707292140166
4	174694	Infant kit x:panda shape TS	Uden benstøtte og armstøtte	1	PCS	5707292995582
100+101	0493400	Label termo,3M 7872,50x24		2	PCS	5707292136855
	0493405	Clear wheel label-silverlabels	52 x 26	2	PCS	5707292546760
*choose color/size						

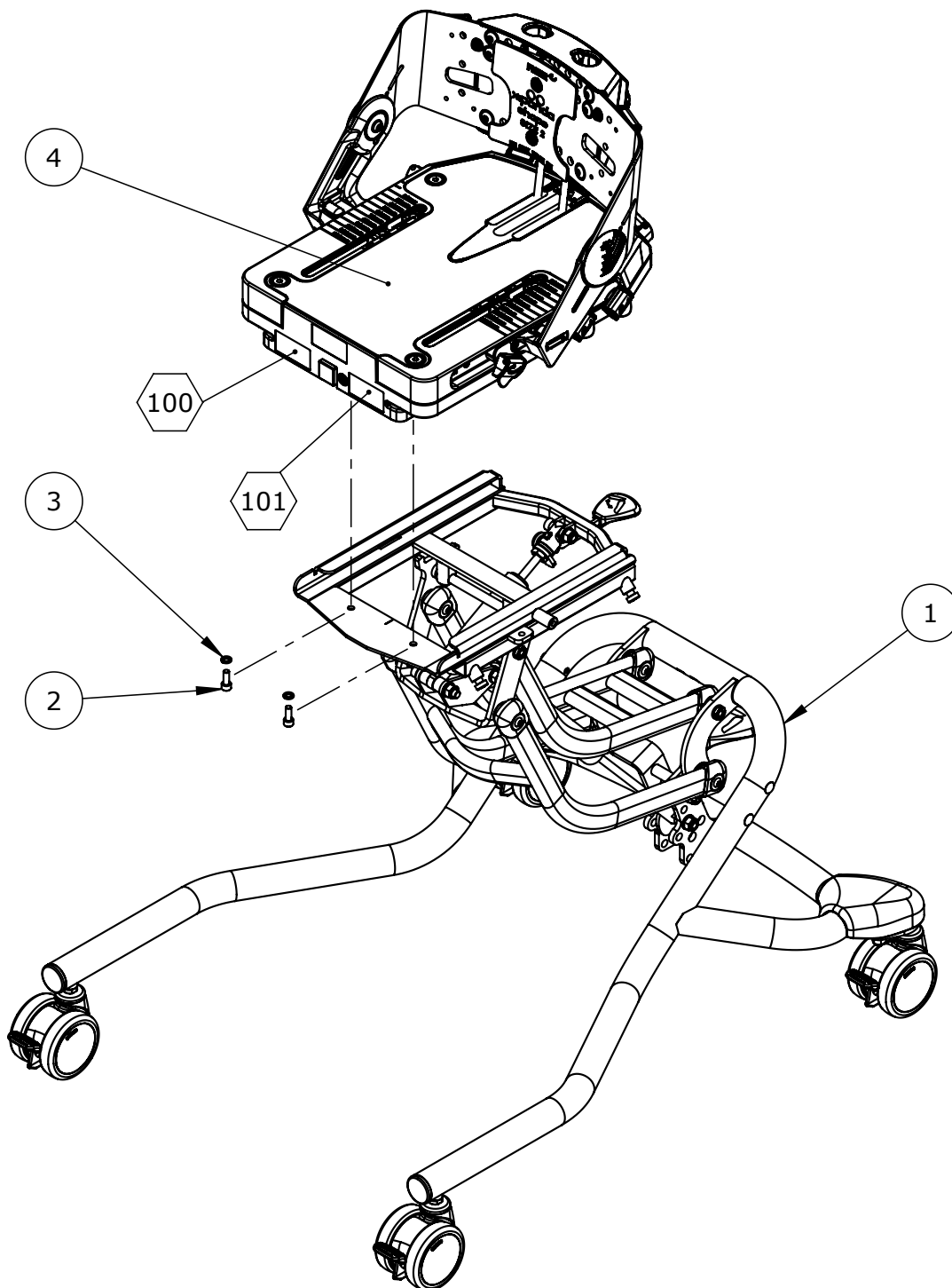
x:panda shape TS size 1 - gas



## Item numbers for x:panda shape TS size 1 - gas

Position	No.	Description		Quantity	Unit of Measure	Ean code
1*	174754-04	High/low s.l gas f xp shape TS	Black	1	PCS	5707292995377
	174754-10	High/low s.l gas f xp shape TS	White	1	PCS	5707292995384
2	0602200	Insex screw 6x16		2	PCS	5707292138095
3	1100800	Center spring washer 6mm		2	PCS	5707292140166
4	174642	Seat x:panda shape TS size 1		1	PCS	5707292997210
100+101	0493400	Label termo,3M 7872,50x24		2	PCS	5707292136855
	0493405	Clear wheel label-silverlabels	52 x 26	2	PCS	5707292546760
*choose color/size						

x:panda shape TS size 2 - gas

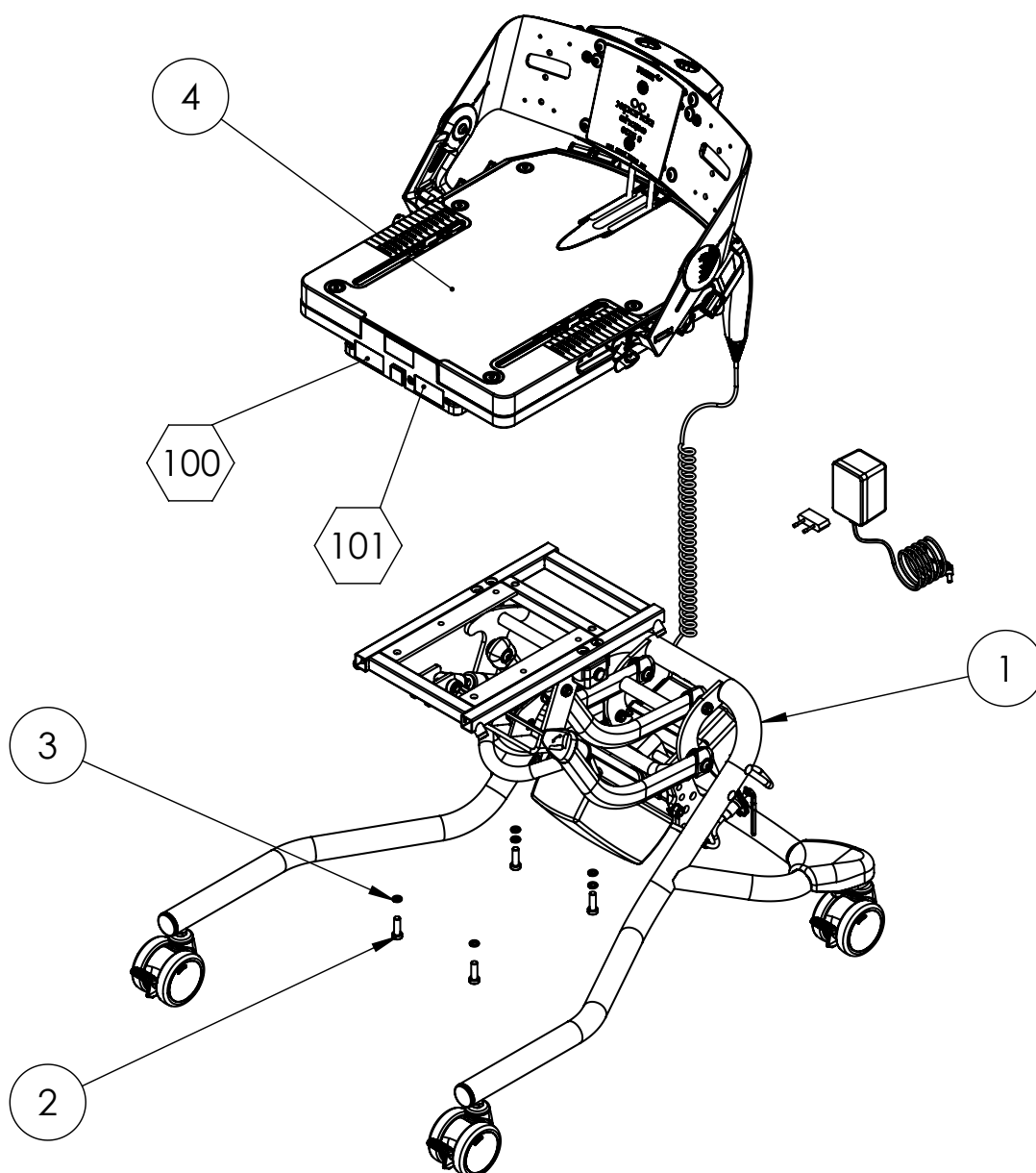


## Item numbers for x:panda shape TS size 2 - gas

Position	No.	Description		Quantity	Unit of Measure	Ean code
1*	174880-04	High/low size 2 gas x:panda TS	Black	1	PCS	5707292997326
	174880-10	High/low size 2 gas x:panda TS	White	1	PCS	5707292997296
2	0602200	Insex screw 6x16		2	PCS	5707292138095
3	1100800	Center spring washer 6mm		2	PCS	5707292140166
4	174625	Seat x:panda shape TS size 2		1	PCS	5715393002320
100+101	0493400	Label termo,3M 7872,50x24		2	PCS	5707292136855
	0493405	Clear wheel label-silverlabels	52 x 26	2	PCS	5707292546760

\*choose color/size

x:panda shape TS size 3 - power

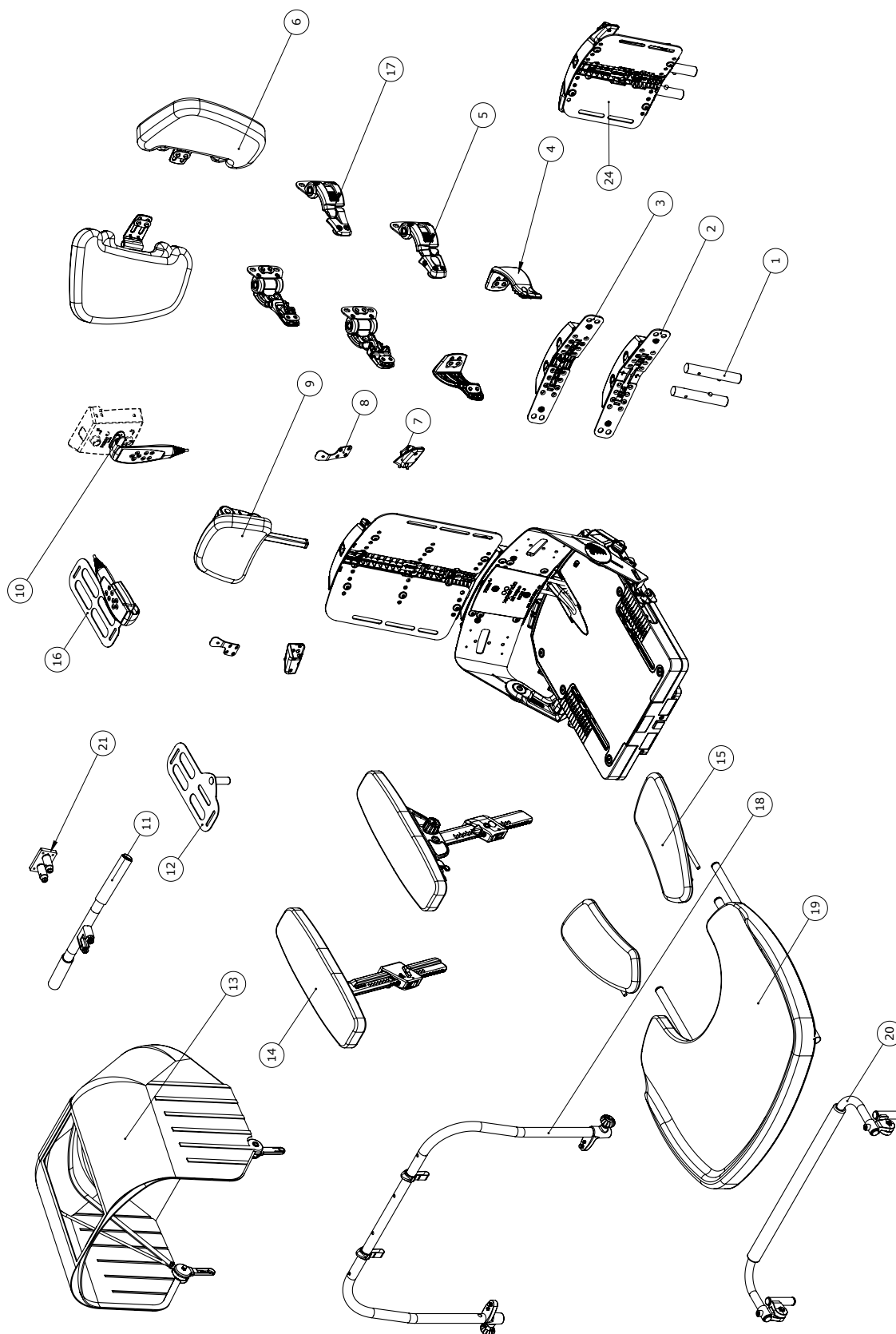


## Item numbers for x:panda shape TS size 3 - power

Position	No.	Description		Quantity	Unit of Measure	Ean code
1*	175307-04	High/low size 3 EL x:panda TS	Black	1	PCS	5715393002443
	175307-10	High/low size 3 EL x:panda TS	White	1	PCS	5715393002450
2	0603535	Insex low head M8x25	M8x25-CL-FZB-A-8.8	4	PCS	5707292575319
3	1100495	Spring washer M8		6	PCS	5707292458674
4	174654	Seat x:panda shape TS size 3		1	PCS	5715393002337
100+101	0493400	Label termo,3M 7872,50x24		2	PCS	5707292136855
	0493405	Clear wheel label-silverlabels		2	PCS	5707292546760

\*choose color/size

## Accessories





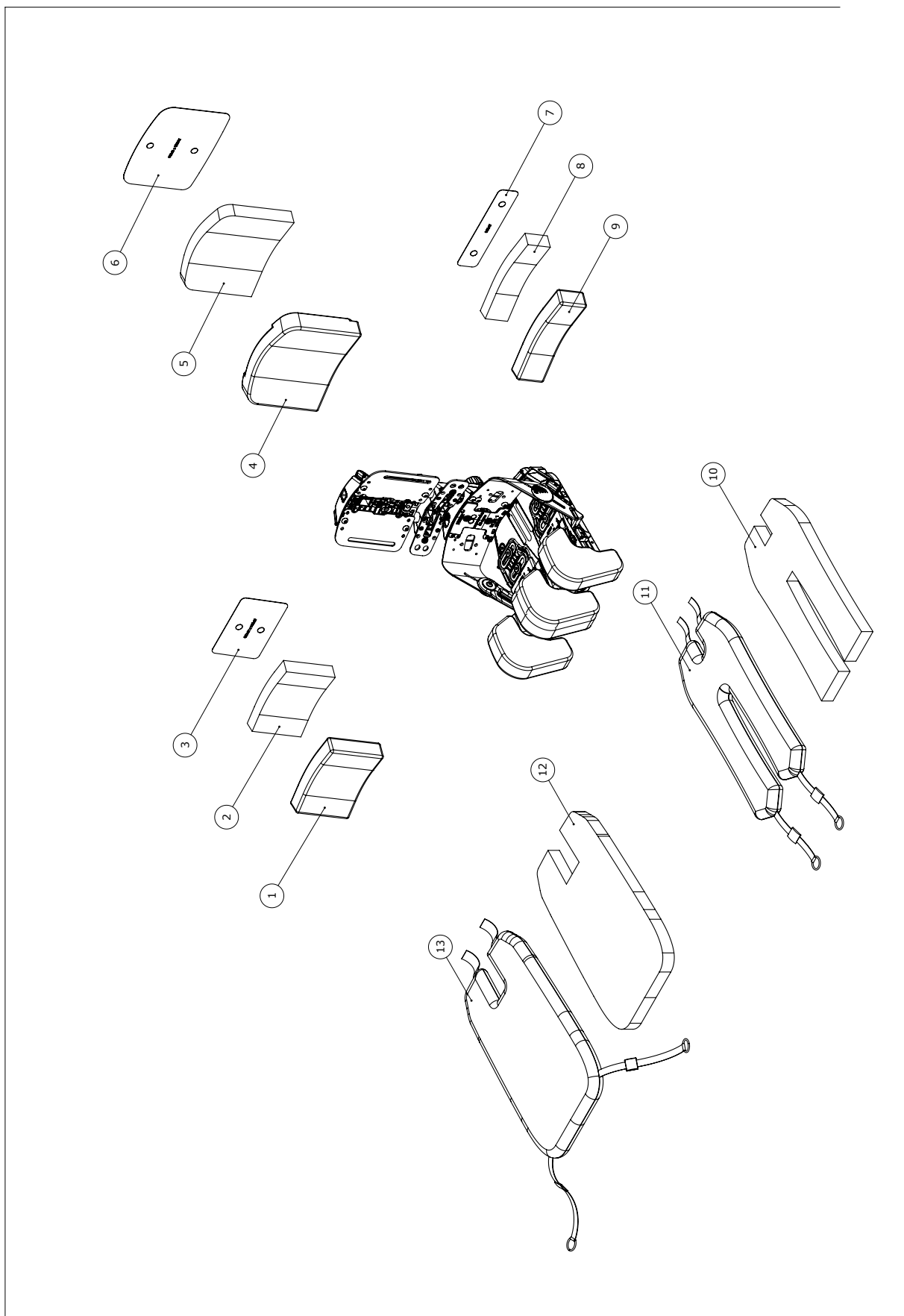
## Item numbers for x:panda shape TS accessories

Position	No.	Description	Quantity	Unit of Measure	Ean code	
1	905059	Therapy tubes	1	PCS	5707292951458	
2	154682	Spacer Block - 3D adjustable	1	PCS	5707292946195	
3	154667	Spacer Block	1	PCS	5707292938343	
4*	163938	Fixed Side support - left	1	PCS	5707292953940	
	163936	Fixed Side support -right	1	PCS	5707292953933	
5	139399	Swing Away Side support (left & right)	1	SET	5707292927798	
6*	905017-70	Upper arm support, fixed. w/cover	140x180 black Indurance	1	SET	5707292950888
	905017-80	Upper arm support, fixed. w/cover	140x180 black Ipanima	1	SET	5707292950895
	905018-70	Upper arm support, fixed. w/cover	190x270 black Indurance	1	SET	5707292950901
	905018-80	Upper arm support, fixed. w/cover	190x270 black Ipanima	1	SET	5707292950918
	905019-70	Upper arm support, adj. w/cover	140x180 black Indurance	1	SET	5707292950925
	905019-80	Upper arm support, adj. w/cover	140x180 black Ipanima	1	SET	5707292950932
	905020-70	Upper arm support, adj. w/cover	190x270 black Indurance	1	SET	5707292950949
905020-80	Upper arm support, adj. w/cover	190x270 black Ipanima	1	SET	5707292950956	
7	905058	Extension bracket for Fix-lock - Wider	1	SET	5707292951434	
8	8910260	Extension bracket for Fix-lock	1	SET	5707292466273	
9	N/A	see "Head support assembly" on page 33	N/A	N/A	N/A	
10	905030	Holder for remote -mounted on the back	1	PCS	5707292951090	
11*	905070	Push brace size 1	1	PCS	5707292951564	
	905071	Push brace size 2	1	PCS	5707292951571	
12*	905033-1	Com. device armsupport bracket	1	PCS	5707292965417	
	905033-2	Com. device armsupport bracket	1	PCS	5707292965639	
	905033-3	Com. device armsupport bracket	1	PCS	5707292965646	
13*	8740110	Canopy size 1	1	PCS	5707292611468	
	8740120	Canopy size 2	1	PCS	5707292611475	
14		see "Arm supports size 4, incl. cover" on page 37, see "Arm supports size 4, excl. cover" on page 39, see "Arm supports size 1, 2 & 3 incl. cover" on page 41, see "Arm supports size 1, 2 & 3, excl. cover" on page 42	N/A	N/A	N/A	
15	8910730	Armrest for tray	1	SET	5707292457882	
16*	905030-1	Holder for remote	1	PCS	5707292951083	
	905030-2	Holder for remote	1	PCS	5707292965592	
	905030-3	Holder for remote	1	PCS	5707292965608	
17*	146375-L	Swing Away - SLIM L	1	PCS	5707292926982	
	146375-R	Swing Away - SLIM R	1	PCS	5707292926975	
18*	8910740	Toy bar for tray	1	PCS	5707292457899	
	8910742	Angling kit for toy bar	1	PCS	5707292565570	
19*	8910720-1	Tray, swing away, size 1	grey	1	PCS	5707292457844
	8910720-2	Tray, swing away, size 2	grey	1	PCS	5707292457851
	8910725-1	Tray, two rod system, size 1	grey	1	PCS	5707292457868
	8910725-2	Tray, two rod system, size 2	grey	1	PCS	5707292457875
	8910725-5	Tray, two rod system, size 2	grey	1	PCS	5707292483768
20	8910750	Grip handle for tray	1	PCS	5707292486622	
21	87590-1	Head support bracket for i2i	1	PCS	5707292988423	

\* Choose size / color

Position	No.	Description	Quantity	Unit of Measure	Ean code	
24*	905072-W	Back rest,upper, x:panda shape	180-220x140, w. fix-locks	1	PCS	5707292996374
	905073-W	Back rest, upper,x:panda shape	180-260x180, wider fix-locks	1	PCS	5707292996381
	905074-W	Back rest, upper,x:panda shape	220-340x220, wider fix-locks	1	PCS	5707292996398
	905075-W	Back rest, upper,x:panda shape	260-380x270, wider fix-locks	1	PCS	5707292996411
	905076-W	Back rest, upper,x:panda shape	300-420x340, wider fix-locks	1	PCS	5707292996428
* Choose size / color						

## x:panda shape TS Cushions



CT:R82PandaProject\10707\Top\_Aseem\154123

## Item numbers for x:panda shape TS Cushions

Position	No.	Description	Color	Quantity	Unit of Measure	Ean code
1	0604040	Insex screw 10x40		PCS	1	5707292921499
1	0603600	Insex screw 8x55		PCS	1	5707292138262
1*	154012-50	Cover lower back cush 220x120	Color Red	PCS	1	5707292969729
	154012-60	Cover lower back cush 220x120	Color grey	PCS	1	5707292940001
	154012-70	Cover lower back cush 220x120	Incontinense cover	PCS	1	5707292940018
	154013-50	Cover lower back cush 260x120	Color Red	PCS	1	5707292969736
	154013-60	Cover lower back cush 260x120	Color grey	PCS	1	5707292940049
	154013-70	Cover lower back cush 260x120	Incontinense cover	PCS	1	5707292940056
	155332-50	Cover lower back cush 360x140	Color red	PCS	1	5707292940797
	154014-60	Cover lower back cush 300x120	Color grey	PCS	1	5707292940087
	154014-70	Cover lower back cush 300x120	Incontinense cover	PCS	1	5707292940094
	154014-50	Cover lower back cush 300x120	Color Red	PCS	1	5707292969743
	155330-50	Cover lower back cush 280x140	Color red	PCS	1	5707292940131
	155330-60	Cover lower back cush 280x140	Color grey	PCS	1	5707292940148
	155330-70	Cover lower back cush 280x140	Incontinense cover	PCS	1	5707292940155
	155331-50	Cover lower back cush 320x140	Color red	PCS	1	5707292940742
	155331-60	Cover lower back cush 320x140	Color grey	PCS	1	5707292940759
	155331-70	Cover lower back cush 320x140	Incontinense cover	PCS	1	5707292940766
	155334-60	Cover lower back cush 380x170	Color grey	PCS	1	5707292940896
	155332-60	Cover lower back cush 360x140	Color grey	PCS	1	5707292940803
	155332-70	Cover lower back cush 360x140	Incontinense cover	PCS	1	5707292940810
	155333-60	Cover lower back cush 400x140	Color grey	PCS	1	5707292940858
	155333-50	Cover lower back cush 400x140	Color red	PCS	1	5707292940841
	155333-70	Cover lower back cush 400x140	Incontinense cover	PCS	1	5707292940865
	155334-50	Cover lower back cush 380x170	Color Red	PCS	1	5707292969750
	155334-70	Cover lower back cush 380x170	Incontinense cover	PCS	1	5707292940902
	155335-50	Cover lower back cush 420x170	Color red	PCS	1	5707292969767
	155337-70	Cover lower back cush 500x170	Incontinense cover	PCS	1	5707292941022
	155335-60	Cover lower back cush 420x170	Color grey	PCS	1	5707292940933
	155335-70	Cover lower back cush 420x170	Incontinense cover	PCS	1	5707292940940
	155336-50	Cover lower back cush 460x170	Color red	PCS	1	5707292969774
	155336-60	Cover lower back cush 460x170	Color grey	PCS	1	5707292940971
	155336-70	Cover lower back cush 460x170	Incontinense cover	PCS	1	5707292940988
	155337-50	Cover lower back cush 500x170	Color red	PCS	1	5707292969781
	155337-60	Cover lower back cush 500x170	Color grey	PCS	1	5707292941015
	154013-60	Cover lower back cush 260x120	Color grey	PCS	1	5707292940049
	154012-60	Cover lower back cush 220x120	Color grey	PCS	1	5707292940001
	154012-70	Cover lower back cush 220x120	Incontinense cover	PCS	1	5707292940018
	154013-70	Cover lower back cush 260x120	Incontinense cover	PCS	1	5707292940056
	155332-60	Cover lower back cush 360x140	Color grey	PCS	1	5707292940803
	155332-50	Cover lower back cush 360x140	Color red	PCS	1	5707292940797
	154014-70	Cover lower back cush 300x120	Incontinense cover	PCS	1	5707292940094
	154014-60	Cover lower back cush 300x120	Color grey	PCS	1	5707292940087
	155330-50	Cover lower back cush 280x140	Color red	PCS	1	5707292940131
	155330-60	Cover lower back cush 280x140	Color grey	PCS	1	5707292940148
	155330-70	Cover lower back cush 280x140	Incontinense cover	PCS	1	5707292940155
	155331-50	Cover lower back cush 320x140	Color red	PCS	1	5707292940742
	155331-60	Cover lower back cush 320x140	Color grey	PCS	1	5707292940759

\*choose color/size

Position	No.	Description	Quantity	Unit of Measure	Ean code	
	155454-70	Cover seatcush adv seat280x650	Incontinense cover	PCS	1	5707292943323
	153933-50	Cover seatcush adv seat300x500	Color red	PCS	1	5707292969859
	153933-60	Cover seatcush adv seat300x500	Color grey	PCS	1	5707292943262
	153933-70	Cover seatcush adv seat300x500	Incontinense cover	PCS	1	5707292943279
	155454-50	Cover seatcush adv seat280x650	Color red	PCS	1	5707292943309
	155454-60	Cover seatcush adv seat280x650	Color grey	PCS	1	5707292943316
	155456-70	Cover seatcush adv seat360x650	Incontinense cover	PCS	1	5707292943422
	155455-50	Cover seatcush adv seat320x650	Color red	PCS	1	5707292943354
	155455-60	Cover seatcush adv seat320x650	Color grey	PCS	1	5707292943361
	155455-70	Cover seatcush adv seat320x650	Incontinense cover	PCS	1	5707292943378
	155456-50	Cover seatcush adv seat360x650	Color red	PCS	1	5707292943408
	155456-60	Cover seatcush adv seat360x650	Color grey	PCS	1	5707292943415
	155460-70	Cover seatcush adv seat460x800	Incontinense cover	PCS	1	5707292943606
	155460-60	Cover seatcush adv seat460x800	Color grey	PCS	1	5707292943590
	155460-50	Cover seatcush adv seat460x800	Color red	PCS	1	5707292969880
	155457-50	Cover seatcush adv seat400x650	Color red	PCS	1	5707292943453
	155457-60	Cover seatcush adv seat400x650	Color grey	PCS	1	5707292943460
	155457-70	Cover seatcush adv seat400x650	Incontinense cover	PCS	1	5707292943477
	155458-50	Cover seatcush adv seat380x800	Color red	PCS	1	5707292969866
	155458-60	Cover seatcush adv seat380x800	Color grey	PCS	1	5707292943514
	155458-70	Cover seatcush adv seat380x800	Incontinense cover	PCS	1	5707292943521
	155459-50	Cover seatcush adv seat420x800	Color red	PCS	1	5707292969873
	155459-60	Cover seatcush adv seat420x800	Color grey	PCS	1	5707292943552
	155459-70	Cover seatcush adv seat420x800	Incontinense cover	PCS	1	5707292943569
	155461-50	Cover seatcush adv seat500x800	Color red	PCS	1	5707292969897
	155461-60	Cover seatcush adv seat500x800	Color grey	PCS	1	5707292943637
	155461-70	Cover seatcush adv seat500x800	Incontinense cover	PCS	1	5707292943644
	155455-50	Cover seatcush adv seat320x650	Color red	PCS	1	5707292943354
	155455-60	Cover seatcush adv seat320x650	Color grey	PCS	1	5707292943361
	155454-70	Cover seatcush adv seat280x650	Incontinense cover	PCS	1	5707292943323
	155454-50	Cover seatcush adv seat280x650	Color red	PCS	1	5707292943309
	155454-60	Cover seatcush adv seat280x650	Color grey	PCS	1	5707292943316
	153933-70	Cover seatcush adv seat300x500	Incontinense cover	PCS	1	5707292943279
	153933-60	Cover seatcush adv seat300x500	Color grey	PCS	1	5707292943262
	153932-60	Cover seatcush adv seat260x500	Color grey	PCS	1	5707292943224
	153932-70	Cover seatcush adv seat260x500	Incontinense cover	PCS	1	5707292943231
	153931-70	Cover seatcush adv seat220x500	Incontinense cover	PCS	1	5707292943088
	153931-60	Cover seatcush adv seat220x500	Color grey	PCS	1	5707292943071
	155455-70	Cover seatcush adv seat320x650	Incontinense cover	PCS	1	5707292943378
	155460-60	Cover seatcush adv seat460x800	Color grey	PCS	1	5707292943590
	155460-70	Cover seatcush adv seat460x800	Incontinense cover	PCS	1	5707292943606
	155459-60	Cover seatcush adv seat420x800	Color grey	PCS	1	5707292943552
	155458-70	Cover seatcush adv seat380x800	Incontinense cover	PCS	1	5707292943521
	155456-50	Cover seatcush adv seat360x650	Color red	PCS	1	5707292943408

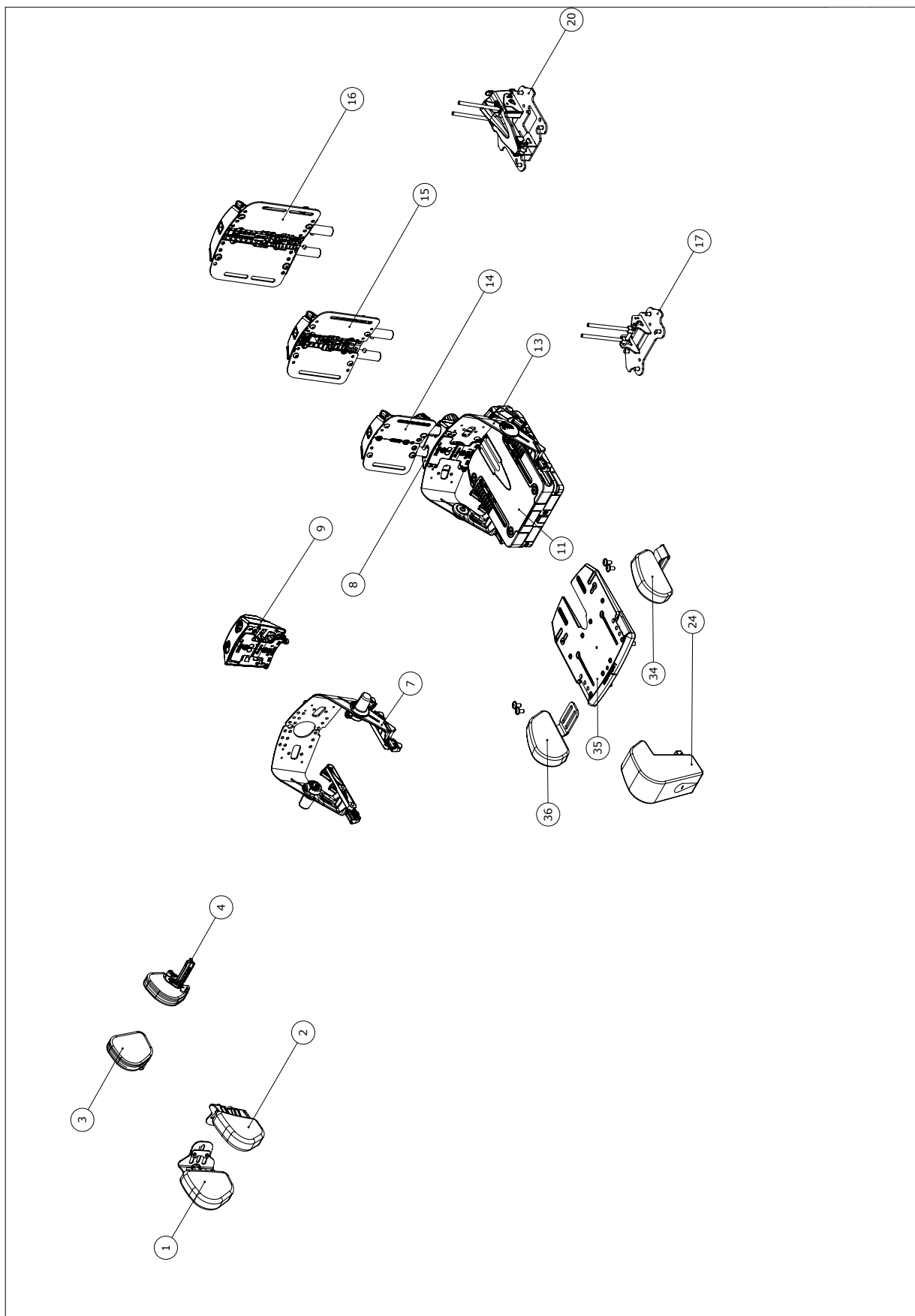
\*choose color/size

Position	No.	Description	Quantity	Unit of Measure	Ean code	
11*	155456-60	Cover seatcush adv seat360x650	Color grey	PCS	1	5707292943415
	155456-70	Cover seatcush adv seat360x650	Incontinense cover	PCS	1	5707292943422
	155457-50	Cover seatcush adv seat400x650	Color red	PCS	1	5707292943453
	155457-60	Cover seatcush adv seat400x650	Color grey	PCS	1	5707292943460
	155457-70	Cover seatcush adv seat400x650	Incontinense cover	PCS	1	5707292943477
	155458-60	Cover seatcush adv seat380x800	Color grey	PCS	1	5707292943514
	155459-70	Cover seatcush adv seat420x800	Incontinense cover	PCS	1	5707292943569
	155461-60	Cover seatcush adv seat500x800	Color grey	PCS	1	5707292943637
	155461-70	Cover seatcush adv seat500x800	Incontinense cover	PCS	1	5707292943644
12*	159261	Assy Foam seatcush flat250x500		PCS	1	5707292943651
	159262	Assy Foam seatcush flat300x500		PCS	1	5707292943668
	159263	Assy Foam seatcush flat320x650		PCS	1	5707292943675
	159264	Assy Foam seatcush flat400x650		PCS	1	5707292943682
	159265	Assy Foam seatcush flat420x800		PCS	1	5707292943699
	159266	Assy Foam seatcush flat500x800		PCS	1	5707292943705
	159265	Assy Foam seatcush flat420x800		PCS	1	5707292943699
	159266	Assy Foam seatcush flat500x800		PCS	1	5707292943705
	159262	Assy Foam seatcush flat300x500		PCS	1	5707292943668
	159261	Assy Foam seatcush flat250x500		PCS	1	5707292943651
	159263	Assy Foam seatcush flat320x650		PCS	1	5707292943675
	159264	Assy Foam seatcush flat400x650		PCS	1	5707292943682
	159265	Assy Foam seatcush flat420x800		PCS	1	5707292943699
	159266	Assy Foam seatcush flat500x800		PCS	1	5707292943705
13*	156438-60	Cover seatcush flatseat400x650	Color grey	PCS	1	5707292943897
	156438-70	Cover seatcush flatseat400x650	Incontinense cover	PCS	1	5707292943903
	153993-50	Cover seatcush flatseat250x500	Color red	PCS	1	5707292969903
	153993-60	Cover seatcush flatseat250x500	Color grey	PCS	1	5707292943743
	153993-70	Cover seatcush flatseat250x500	Incontinense cover	PCS	1	5707292943767
	153994-50	Cover seatcush flatseat300x500	Color red	PCS	1	5707292969910
	153994-60	Cover seatcush flatseat300x500	Color grey	PCS	1	5707292943798
	153994-70	Cover seatcush flatseat300x500	Incontinense cover	PCS	1	5707292943804
	156437-50	Cover seatcush flatseat320x650	Color red	PCS	1	5707292943835
	156437-60	Cover seatcush flatseat320x650	Color grey	PCS	1	5707292943842
	156437-70	Cover seatcush flatseat320x650	Incontinense cover	PCS	1	5707292943859
	156438-50	Cover seatcush flatseat400x650	Color red	PCS	1	5707292943880
	156440-70	Cover seatcush flatseat500x800	Incontinense cover	PCS	1	5707292943989
	156439-50	Cover seatcush flatseat420x800	Color red	PCS	1	5707292969927
	156439-60	Cover seatcush flatseat420x800	Color grey	PCS	1	5707292943934
	156439-70	Cover seatcush flatseat420x800	Incontinense cover	PCS	1	5707292943941
	156440-50	Cover seatcush flatseat500x800	Color red	PCS	1	5707292969934
	156440-60	Cover seatcush flatseat500x800	Color grey	PCS	1	5707292943972
	156438-70	Cover seatcush flatseat400x650	Incontinense cover	PCS	1	5707292943903
	153993-60	Cover seatcush flatseat250x500	Color grey	PCS	1	5707292943743
	153993-70	Cover seatcush flatseat250x500	Incontinense cover	PCS	1	5707292943767
	153994-60	Cover seatcush flatseat300x500	Color grey	PCS	1	5707292943798
	153994-70	Cover seatcush flatseat300x500	Incontinense cover	PCS	1	5707292943804
13*	156437-50	Cover seatcush flatseat320x650	Color red	PCS	1	5707292943835
	156437-60	Cover seatcush flatseat320x650	Color grey	PCS	1	5707292943842

\*choose color/size

Position	No.	Description	Quantity	Unit of Measure	Ean code	
13*	156437-70	Cover seatcush flatseat320x650	Incontinense cover	PCS	1	5707292943859
	156438-50	Cover seatcush flatseat400x650	Color red	PCS	1	5707292943880
	156438-60	Cover seatcush flatseat400x650	Color grey	PCS	1	5707292943897
	156439-60	Cover seatcush flatseat420x800	Color grey	PCS	1	5707292943934
	156439-70	Cover seatcush flatseat420x800	Incontinense cover	PCS	1	5707292943941
	156440-60	Cover seatcush flatseat500x800	Color grey	PCS	1	5707292943972
	156440-70	Cover seatcush flatseat500x800	Incontinense cover	PCS	1	5707292943989
*choose color/size						

# Simple seating size 1



WPM/Project/LOW/For Heren/14371

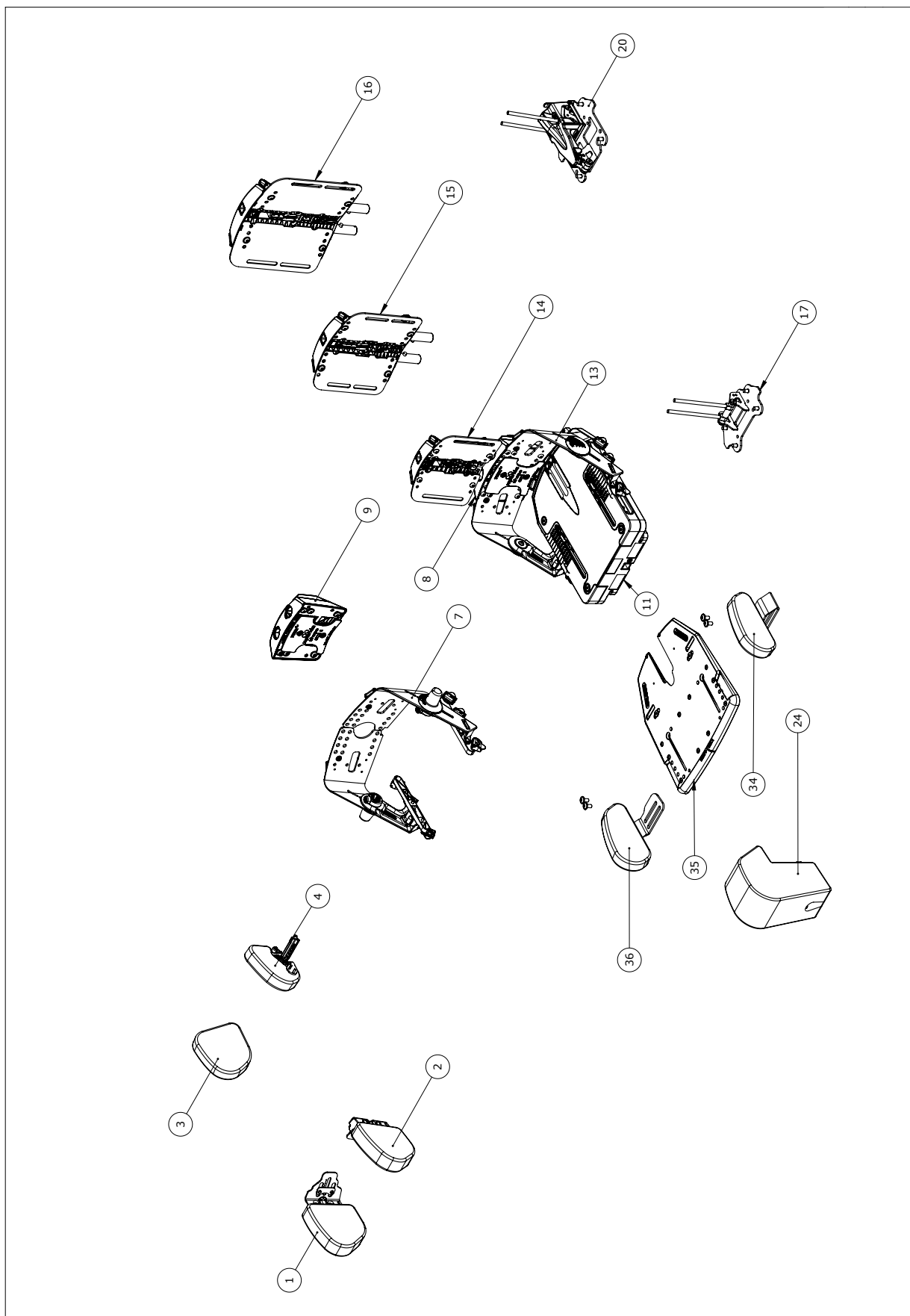


## Item numbers for Simple seating size 1

Position	No.	Description	Quantity	Unit of Measure	Ean code
1*	163678-170	Hip.sup.back size1, R w. cover	PCS	1	5707292949615
	163678-180	Hip.sup.back size1, R w. cover	PCS	1	5707292949691
2*	161979-170	Hip.sup.back size1, L w. cover	PCS	1	5707292949509
	161979-180	Hip.sup.back size1, L w. cover	PCS	1	5707292949516
3*	150117-180	Dir. Hip.sup. L. S1 w. cover	PCS	1	5707292950031
	150117-1UB	Dir. Hip.sup. R. S1 w.o. cover	PCS	1	5707292950017
4*	149486-180	Dir. Hip.sup. L. S1 w. cover	PCS	1	5707292949943
	149486-1UB	Dir. Hip.sup. L. S1 w.o. cover	PCS	1	5707292949929
7	146652	Hinge Ass. Dir. Hip - size 1	PCS	1	5707292937155
8*	151777-QRD	Lower back steples ass S.1 QRD	PCS	1	5707292949110
	151777-D	Lower back stepless ass S.1,D	PCS	1	5707292949103
9	161298-QR	Lower back step ass S.1 QR	PCS	1	5707292941770
11*	139329-BS	Seat base-S.1, Basic cover	PCS	1	5707292972033
	139329-BUPS	Seat base-S.1, Basic cover UP	PCS	1	5707292972064
	139329-SUPS	Seat base-S.1,stepless cov. UP	PCS	1	5707292972248
	139329-SS	Seat base-S.1, stepless cover	PCS	1	5707292972293
13	161165	Hinge Ass. Basic - size 1	PCS	1	5707292940353
14	147082	Upper back ass. 140x180/220	PCS	1	5707292940223
15	146786	Upper Back ass.180x180/220/260	PCS	1	5707292940216
16	154712	Upper back ass. 220x220/260/300/340	PCS	1	5707292940261
17	153346-1	Recl.module Stepless size 1	PCS	1	5707292948311
20	153347	Dynamic recline module size 1 - Hard	PCS	1	5707292946416
24	150704-80	Pommel w. quick release s.1	PCS	1	5707292959973
34*	151375-80	Simple outh. supp 150 x 80 L.	PCS	1	5707292947628
	151375-70	Simple outh. supp 150 x 80 L.	PCS	1	5707292947611
35*	140960-300	Flat seatplate Size 1, 300 mm	PCS	1	5707292945266
	140960-250	Flat seatplate Size 1, 250 mm	PCS	1	5707292945259
36*	151372-80	Simple outh. supp 150 x 80 R.	PCS	1	5707292946041
	151372-70	Simple outh. supp 150 x 80 R.	PCS	1	5707292946089

\* Choose size / color

## Simple seating size 2



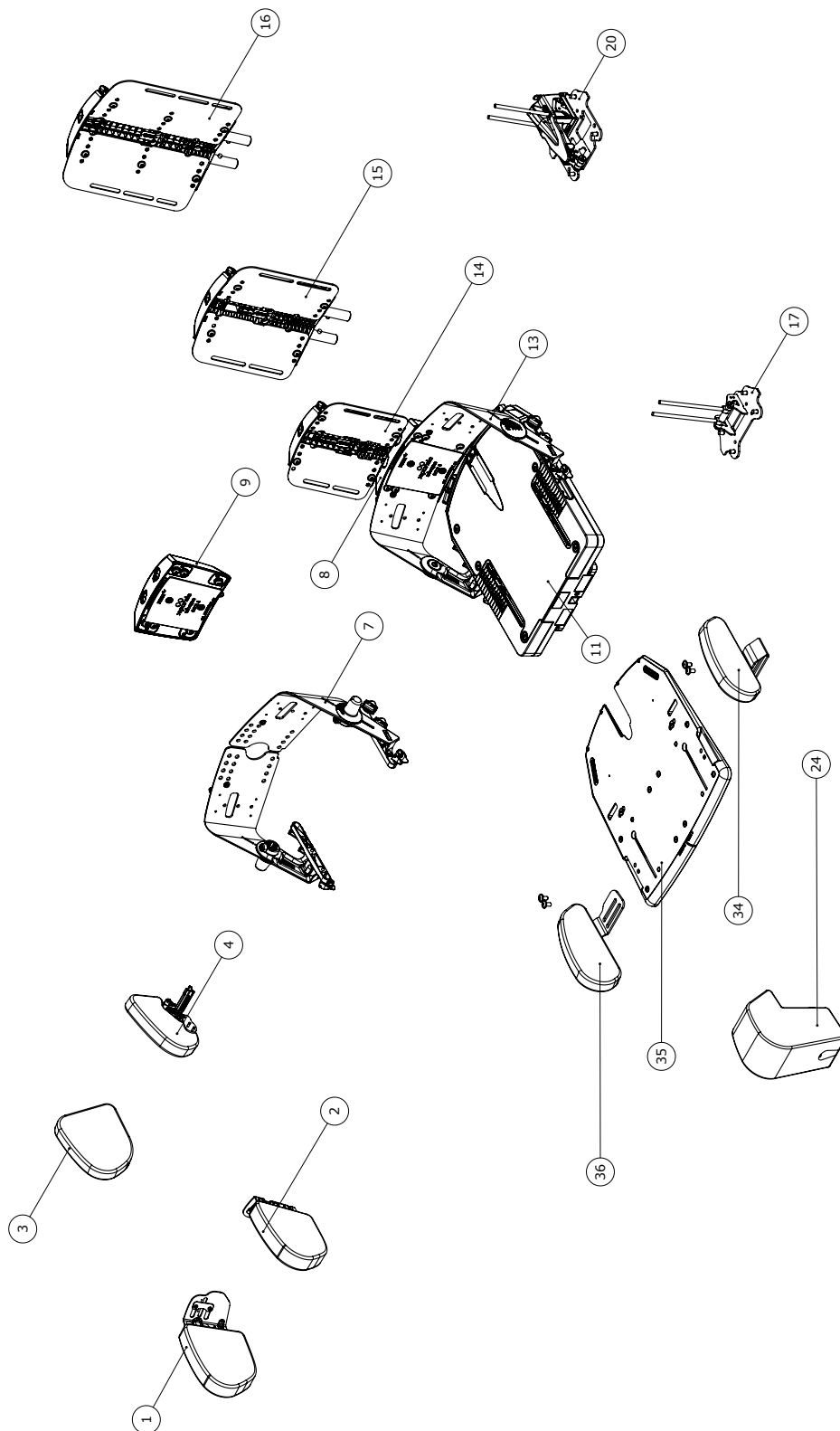
C:\BPM\Projects\LDW\Top\_Aerom\163374

## Item numbers for Simple seating size 2

Position	No.	Description		Quantity	Unit of Measure	Ean code
1	163678-280	Hip.sup.back size2, R w. cover		1	PCS	5707292949684
2	161979-280	Hip.sup.back size2, L w. cover		1	PCS	5707292949547
3*	150117-280	Dir. Hip.sup. L. S2 w. cover	Colour 80	1	PCS	5707292950062
	150117-270	Dir. Hip.sup. L. S2 w. cover	Colour 70	1	PCS	5707292950055
	150117-2UB	Dir. Hip.sup. R. S2 w.o. cover		1	PCS	5707292950048
4*	149486-280	Dir. Hip.sup. L. S2, w. cover	Colour 80	1	PCS	5707292949974
	149486-270	Dir. Hip.sup. L. S2, w. cover	Colour 70	1	PCS	5707292949967
	149486-2UB	Dir. Hip.sup. L. S2 w.o. cover		1	PCS	5707292949950
7	161185	Hinge Ass. Dir. Hip - size 2		1	PCS	5707292941404
8*	161323-QRD	Lower back stepless Ass.S2 QRD		1	PCS	5707292949189
	161323-D	Lower back stepless Ass. S.2 D		1	PCS	5707292949172
	161323-QRD	Lower back stepless Ass.S2 QRD		1	PCS	5707292949189
9	161341-QR	Lower back step Ass. S.2 QR		1	PCS	5707292941930
11*	146219-SUPS	Seat base-S.2,stepless cov. UP	Simple seat, without Pommel	1	PCS	5707292972491
	146219-BS	Seat base-S.2, Basic cover	Simple seat, without Pommel	1	PCS	5707292972446
	146219-SS	Seat base-S.2, stepless cover	Simple seat, without Pommel	1	PCS	5707292972484
	146219-DUPS	Seat base-S.2, dynamic UP	Simple seat, without Pommel	1	PCS	5707292972477
	146219-BUPS	Seat base-S.2, Basic cover UP	Simple seat, without Pommel	1	PCS	5707292972453
13	154058	Hinge Ass. Basic - size 2		1	PCS	5707292940513
14	146786	Upper back ass. 180x180/220/260		1	PCS	5707292940216
15	154712	Upper back ass. 220x220/260/300/340		1	PCS	5707292940261
16*	155257	Upp.ba.ass.340x300/340/380/420		1	PCS	5707292940346
	154544	Upp.ba.ass.270x260/300/340/380		1	PCS	5707292940285
17	153346-2	Recl.module Stepless size 2		1	PCS	5707292948328
20	163095-2FL	Dynamic recl.S2 fix,soft lock		1	PCS	5707292946836
24	158093-80	Pommel w. quick release s.2-3	Cover black Ipanima	1	PCS	5707292959959
34*	161522-80	Simple outh. supp 200 x 90 L.	With Cover colour 80	1	PCS	5707292951595
	161522-70	Simple outh. supp 200 x 90 L.	With Cover, Colour 70	1	PCS	5707292951588
35*	154961-320	Flat seatplate Size 2, 320 mm		1	PCS	5707292945358
	154961-400	Flat seatplate Size 2, 400 mm		1	PCS	5707292945365
36*	161521-70	Simple outh. supp 200 x 90 R.	With cover, colour 70	1	PCS	5707292950550
	161521-80	Simple outh. supp 200 x 90 R.	With Cover colour 80	1	PCS	5707292950574

\* Choose size / color

### Simple seating size 3

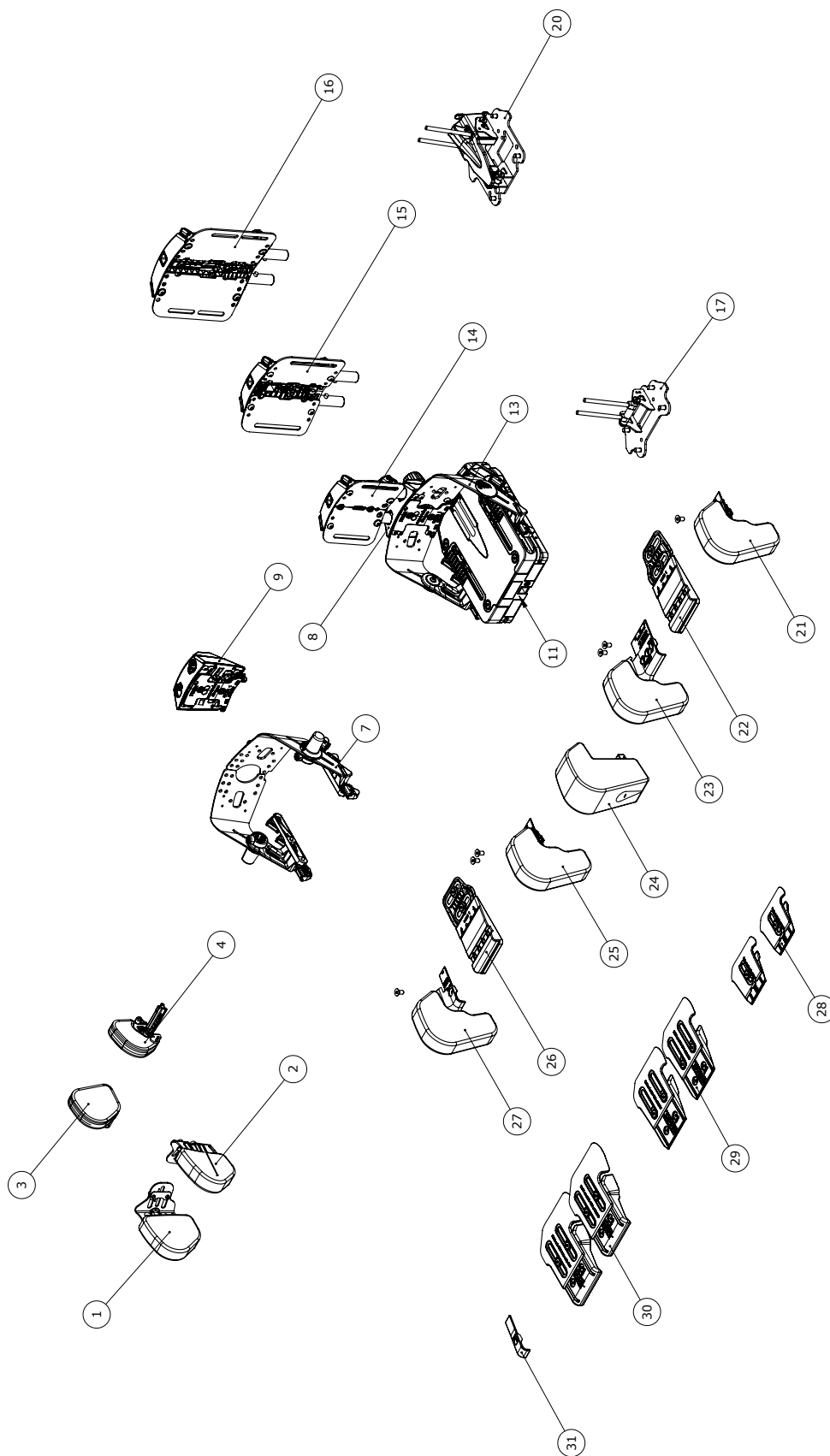


## Item numbers for Simple seating size 3

Position	No.	Description	Quantity	Unit of Measure	Ean code	
1*	163678-3UB	Hip.sup.back size3, R no cover	1	PCS	5707292949608	
	163678-380	Hip.sup.back size1, R w. cover	1	PCS	5707292949660	
2*	161979-3UB	Hip.sup.back size3, L no cover	1	PCS	5707292949554	
	161979-380	Hip.sup.back size3, L w. cover	1	PCS	5707292949578	
3*	150117-3UB	Dir. Hip.sup. R. S3 w.o. cover	1	PCS	5707292950079	
	150117-380	Dir. Hip.sup. L. S3 w. cover	Colour 80	1	PCS	5707292950093
4*	149486-3UB	Dir. Hip.sup. L. S3 w.o. cover	1	PCS	5707292949981	
	149486-380	Dir. Hip.sup. L. S3, w. cover	Colour 80	1	PCS	5707292950000
7	161201	Hinge Ass. Dir. Hip - size 3	1	PCS	5707292941411	
8*	161348-D	Lower back stepless Ass. S.3,D	1	PCS	5707292949301	
	161348	Lower back stepless Ass. S.3	1	PCS	5707292941947	
	161348-QRD	Lower back stepless Ass.S3 QRD	1	PCS	5707292949318	
9	161356-QR	Lower back step Ass. S.3 QR	1	PCS	5707292944009	
11*	146278-BUPS	Seat base-S.3, Basic cover UP	Simple seat, no Pommel	1	PCS	5707292972514
	146278-BS	Seat base-S.3, Basic cover	Simple seat, med Pommel	1	PCS	5707292972507
	146278-SUPS	Seat base-S.3,stepless cov. UP	Simple seat, uden Pommel	1	PCS	5707292972552
	146278-SS	Seat base-S.3, stepless cover	Simple seat, med Pommel	1	PCS	5707292972545
13	153356	Hinge Ass. Basic - size 3	1	PCS	5707292940711	
14	154712	Upper back ass. 220x220/260/300/340	1	PCS	5707292940261	
15	154544	Upper back ass. 270x260/300/340/380	1	PCS	5707292940285	
16	155257	Upp.ba.ass.340x300/340/380/420	1	PCS	5707292940346	
17	153346-3	Recl.module Stepless size 3	1	PCS	5707292948335	
20	163096	Dynamic recline module fixed resistance size 2-3 Hard	1	PCS	5707292946867	
24	158093-80	Pommel w. quick release s.2-3	Cover black Ipanima	1	PCS	5707292959959
34*	161574-80	Simple outh. supp 250 x 100 L.	With cover	1	PCS	5707292951656
	161574-70	Simple outh. supp 250 x 100 L.	With cover	1	PCS	5707292951649
35*	154697-500	Flat seatplate S.3 500 mm		1	PCS	5707292945396
	154697-420	Flat seatplate S.3 420 mm		1	PCS	5707292945389
36*	161573-80	Simple outh. supp 250 x 100 R.	With cover	1	PCS	5707292951625
	161573-70	Simple outh. supp 250 x 100 R.	With cover	1	PCS	5707292951618

\* Choose size / color

# Advanced seating size 1



## Item numbers for Advanced seating size 1

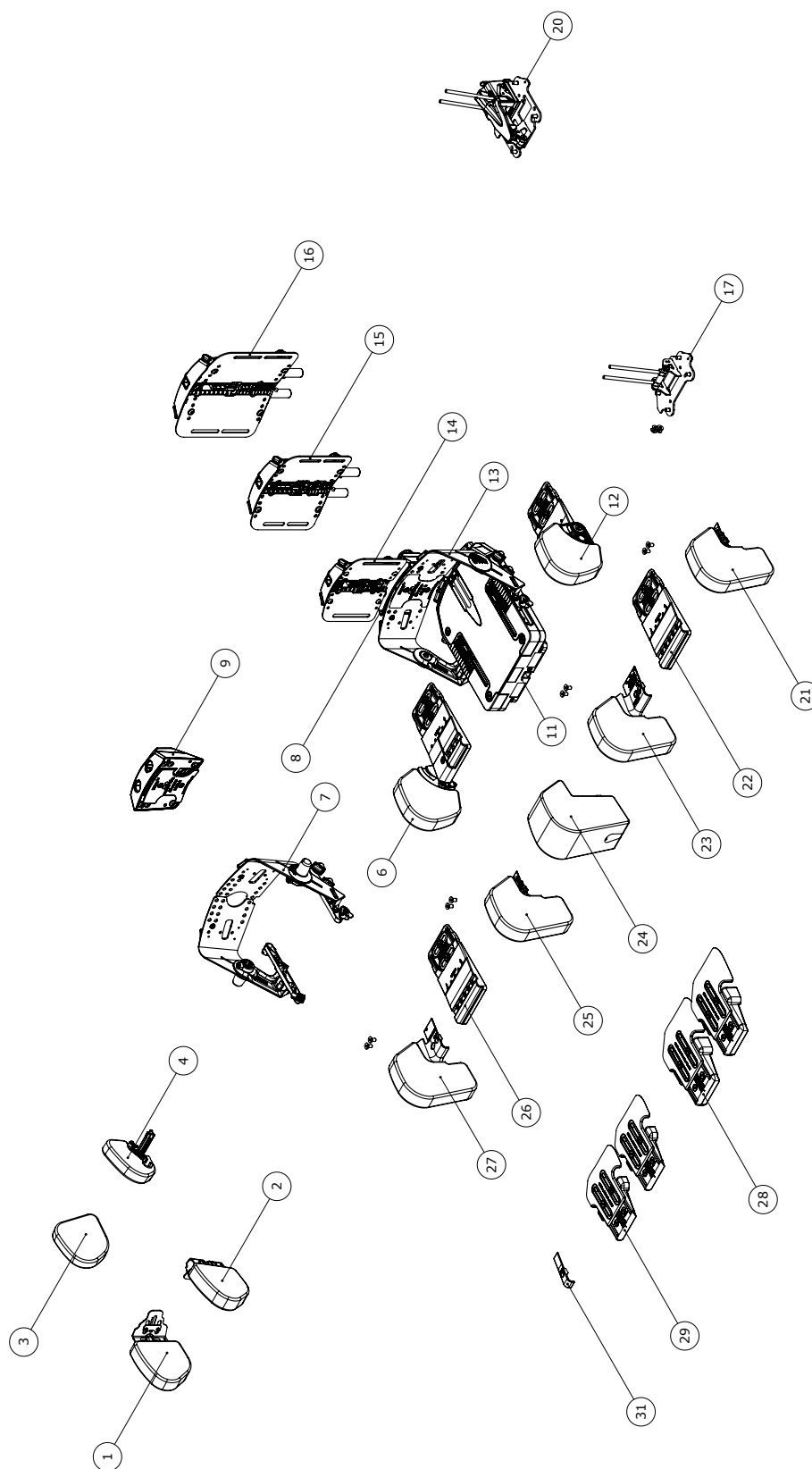
Position	No.	Description		Quantity	Unit of Measure	Ean code
1*	163678-170	Hip.sup.back size1, R w. cover		1	PCS	5707292949615
	141298	Outer House right s.1		1	PCS	5707292941428
	163678-180	Hip.sup.back size1, R w. cover		1	PCS	5707292949691
2*	161979-170	Hip.sup.back size1, L w. cover	Cover colour 70	1	PCS	5707292949509
	0602190-1	Insex M6x12, FZD black		6	PCS	5707292927712
	161979-180	Hip.sup.back size1, L w. cover		1	PCS	5707292949516
3*	141170	Inner house L+R s.1-3		2	PCS	5707292941466
	150117-180	Dir. Hip.sup. L. S1 w. cover	Colour 80	1	PCS	5707292950031
	150117-1UB	Dir. Hip.sup. R. S1 w.o. cover		1	PCS	5707292950017
	150117-170	Dir. Hip.sup. L. S1 w. cover	Colour 70	1	PCS	5707292950024
4*	0604456	Ø3.5x30 plast tight screw		6	PCS	5707292937377
	149486-180	Dir. Hip.sup. L. S1 w. cover	Colour 80	1	PCS	5707292949943
	149486-1UB	Dir. Hip.sup. L. S1 w.o. cover		1	PCS	5707292949929
	149486-170	Dir. Hip.sup. ,S1 w. cover	Colour 70	1	PCS	5707292949936
7*	147022	Outer House left s.1		1	PCS	5707292941435
	146652	Hinge Ass. Dir. Hip - size 1	Size 1 seatbase, phantom	1	PCS	5707292937155
8*	151777	Lower back stepless ass S.1		1	PCS	5707292941749
	151777-D	Lower back stepless ass S.1,D		1	PCS	5707292949103
	151777-QRD	Lower back steples ass S.1 QRD		1	PCS	5707292949110
9	161298	Lower Back Step Ass. S.1		1	PCS	5707292941763
10*	161297-D	Lower back 3D hip ass. S1 D		1	PCS	5707292949127
	161297-QRD	Lower back 3d hip Ass. S.1 QRD		1	PCS	5707292949134
11*	139329-DUP	Seat base-S.1, for dynamic UP	Adv. seat, no Pommel	1	PCS	5707292945112
	139329-SUP	Seat base-S.1,stepless cov. UP	Adv. seat, no Pommel	1	PCS	5707292945105
	139329-D	Seat base-S.1, for dynamic	Adv. seat, with Pommel	1	PCS	5707292945082
13	161165	Hinge Ass. Basic - size 1		1	PCS	5707292940353
14*	147082	Upper back ass. 140x180/220	Phantom component	1	PCS	5707292940223
	146786	Upper Back ass.180x180/220/260	Phantom component	1	PCS	5707292940216
15	146786	Upper Back ass.180x180/220/260	Phantom component	1	PCS	5707292940216
16	154712	Upp.ba.ass.220x220/260/300/340		1	PCS	5707292940261
17*	163094-FL	Dynamic recl.S1 fixed,lock 50N		1	PCS	5707292946461
	153346-1	Recl.module Stepless size 1		1	PCS	5707292948311
20*	153347-AL	Dynamic recl. S1 adj, lock 50N		1	PCS	5707292946447
	163094-F	Dynamic recl. S1 fixed 50N		1	PCS	5707292946454
	163094-FL	Dynamic recl.S1 fixed,lock 50N		1	PCS	5707292946461
21*	163552-O70	Outher Knee supp. Left, S.1	With cover	1	PCS	5707292952592
	163552-O80	Outher Knee supp. Left, S.1	With cover	1	PCS	5707292952608
22	163547	Advance seat plate S.1, Left		1	PCS	5707292952356
23*	163552-I70	Inner Knee supp. Left, S.1	With Cover	1	PCS	5707292952530
	163552-I80	Inner Knee supp. Left, S.1	With cover	1	PCS	5707292952547
24*	150704-80	Pommel w. quick release s.1	Cover Ipanima	1	PCS	5707292959973
	150704-70	Pommel w. quick release s.1	Cover Endurance	1	PCS	5707292959966
25*	163551-I70	Inner Knee supp. Right, S.1	With Cover	1	PCS	5707292952516
	163551-I80	Inner Knee supp. Right, S.1	With Cover	1	PCS	5707292952523
26	163546	Advance seat plate S.1, Right		1	PCS	5707292952332

\* Choose size / color

Position	No.	Description	Quantity	Unit of Measure	Ean code	
27*	163551-O70	Outher Knee supp. Right, S.1	With cover	1	PCS	5707292952578
	163551-O80	Outher Knee supp. Right, S.1	With cover	1	PCS	5707292952585
28	155167	Seat pit H20 x L70-110 x W115		2	PCS	5707292946201
29	155168	Seat pit H30 x L110-175 x W135		2	PCS	5707292946218
30	155169	Seat pit H45 x L120-200 x W135		2	PCS	5707292946225
31	151910	Spacer f. add./abd.		4	PCS	5707292937100
* Choose size / color						



## Advanced seating size 2



## Item numbers for Advanced seating size 2

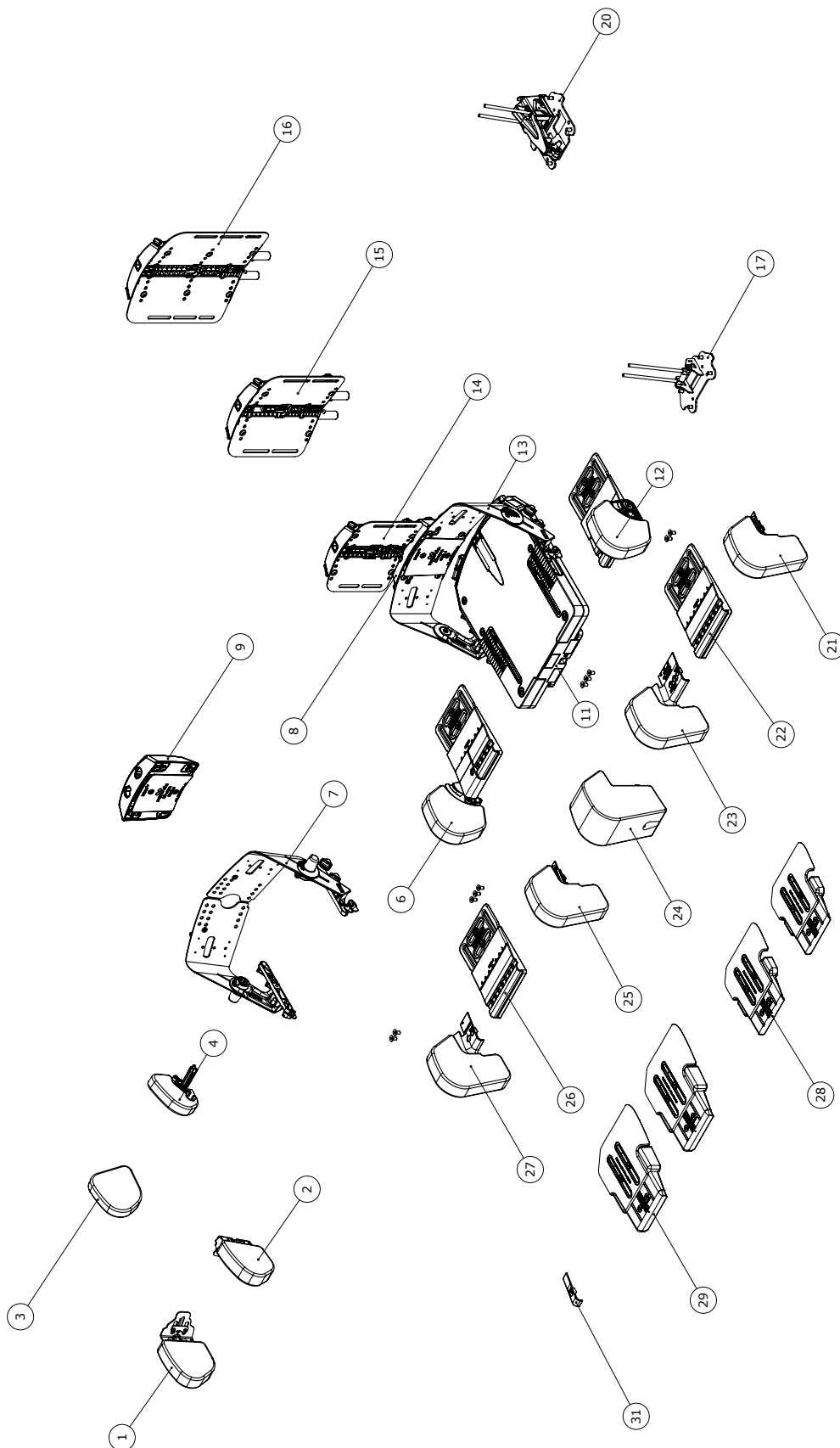
Position	No.	Description		Quantity	Unit of Measure	Ean code
1*	147748	Outer house right s.2-3		1	PCS	5707292941442
	163678-270	Hip.sup.back size2, R w. cover	Colour 70	1	PCS	5707292949622
	163678-280	Hip.sup.back size2, R w. cover	Colour 80	1	PCS	5707292949684
2*	0602190-1	Insex M6x12, FZD black		6	PCS	5707292927712
	161979-270	Hip.sup.back size2, L w. cover		1	PCS	5707292949523
	161979-280	Hip.sup.back size2, L w. cover		1	PCS	5707292949547
3*	141170	Inner house L+R s.1-3		2	PCS	5707292941466
	150117-270	Dir. Hip.sup. L. S2 w. cover	Colour 70	1	PCS	5707292950055
	150117-280	Dir. Hip.sup. L. S2 w. cover	Colour 80	1	PCS	5707292950062
	150117-2UB	Dir. Hip.sup. R. S2 w.o. cover		1	PCS	5707292950048
4*	0604456	Ø3.5x30 plast tight screw		6	PCS	5707292937377
	149486-270	Dir. Hip.sup. L. S2, w. cover	Colour 70	1	PCS	5707292949967
	149486-280	Dir. Hip.sup. L. S2, w. cover	Colour 80	1	PCS	5707292949974
	149486-2UB	Dir. Hip.sup. L. S2 w.o. cover		1	PCS	5707292949950
6*	163536-70	Flip down Size 2 Right w.cover		1	PCS	5707292948946
	163536-80	Flip down Size 2 Right w.cover		1	PCS	5707292948953
	149486-280	Dir. Hip.sup. L. S2, w. cover	Colour 80	1	PCS	5707292949974
	149486-270	Dir. Hip.sup. L. S2, w. cover	Colour 70	1	PCS	5707292949967
7*	147749	Outer house left s.2-3		1	PCS	5707292941459
	161185	Hinge Ass. Dir. Hip - size 2		1	PCS	5707292941404
8*	161323	Lower back stepless Ass. S.2		1	PCS	5707292941909
	161323-D	Lower back stepless Ass. S.2 D		1	PCS	5707292949172
	161323-QR	Lower back stepless Ass.S.2 QR		1	PCS	5707292941916
	161323-QRD	Lower back stepless Ass.S2 QRD		1	PCS	5707292949189
10*	161876-D	Lower back 3d hip Ass. S.2, d		1	PCS	5707292949264
	161876	Lower back 3d hip Ass. S.2		1	PCS	5707292944627
	161876-QRD	Lower back 3d hip Ass.S.2, QRD		1	PCS	5707292949271
11*	146219-S	Seat base-S.2, stepless cover		1	PCS	5707292938879
	146219-SUP	Seat base-S.2,stepless cov. UP	Adv. seat, uden Pommel	1	PCS	5707292945150
	146219-DUP	Seat base-S.2, dynamic UP	Adv. seat, uden Pommel	1	PCS	5707292945143
	146219-D	Seat base-S.2, dynamic	Adv. seat, med Pommel	1	PCS	5707292945129
12*	163537-70	Flip down Size 2 Left, w.cover		1	PCS	5707292948960
	163537-80	Flip down Size 2 Left, w.cover		1	PCS	5707292948977
13	154058	Hinge Ass. Basic - size 2		1	PCS	5707292940513
14	146786	Upper Back ass.180x180/220/260	Phantom component	1	PCS	5707292940216
15	154712	Upp.ba.ass.220x220/260/300/340		1	PCS	5707292940261
16*	154544	Upp.ba.ass.270x260/300/340/380		1	PCS	5707292940285
	155257	Upp.ba.ass.340x300/340/380/420		1	PCS	5707292940346
17	153346-2	Recl.module Stepless size 2		1	PCS	5707292948328
20*	153348-2A	Dynamic recl. S.2 Soft adj		1	PCS	5707292946645
	153348-2AL	Dynamic recl. S.2 Soft adj. lo	Må Bruges til transport i bil	1	PCS	5707292946904
	163095-2FL	Dynamic recl.S2 fix,soft lock		1	PCS	5707292946836
21*	163740-O70	Outher Knee supp. Left, S.2	With cover	1	PCS	5707292953087
	163740-O80	Outher Knee supp. Left, S.2	With cover	1	PCS	5707292953094
	163552-O80	Outher Knee supp. Left, S.1	With cover	1	PCS	5707292952608
	163552-O70	Outher Knee supp. Left, S.1	With cover	1	PCS	5707292952592

\* Choose size / color

Position	No.	Description	Quantity	Unit of Measure	Ean code	
23*	163740-I70	Inner Knee supp. Left, S.2	With cover	1	PCS	5707292953056
	163740-I80	Inner Knee supp. Left, S.2	With cover	1	PCS	5707292953063
	163753-I80	Inner Knee supp. left, S.3	With Cover	1	PCS	5707292953223
	163753-I70	Inner Knee supp. left, S.3	With cover	1	PCS	5707292953216
	163552-I80	Inner Knee supp. Left, S.1	With cover	1	PCS	5707292952547
	163552-I70	Inner Knee supp. Left, S.1	With Cover	1	PCS	5707292952530
24*	158093-80	Pommel w. quick release s.2-3	Cover black Ipanima	1	PCS	5707292959959
	158093-70	Pommel w. quick release s.2-3	Cover Endurance	1	PCS	5707292959942
	150704-80	Pommel w. quick release s.1	Cover Ipanima	1	PCS	5707292959973
	150704-70	Pommel w. quick release s.1	Cover Endurance	1	PCS	5707292959966
25*	163735-I70	Inner Knee supp. Right, S.2	With cover	1	PCS	5707292952691
	163735-I80	Inner Knee supp. Right, S.2	With cover	1	PCS	5707292952707
	163746-I80	Inner Knee supp. Right, S.3	With cover	1	PCS	5707292953148
	163746-I70	Inner Knee supp. Right, S.3	With cover	1	PCS	5707292953131
	163551-I70	Inner Knee supp. Right, S.1	With Cover	1	PCS	5707292952516
	163551-I80	Inner Knee supp. Right, S.1	With Cover	1	PCS	5707292952523
27*	163551-O80	Outher Knee supp. Right, S.1	With cover	1	PCS	5707292952585
	163551-O70	Outher Knee supp. Right, S.1	With cover	1	PCS	5707292952578
	163735-O80	Outher Knee supp. Right, S.2	With cover	1	PCS	5707292952738
	163735-O70	Outher Knee supp. Right, S.2	With cover	1	PCS	5707292952721
28*	155170	Seat pit H35 x L130-220 x W150		2	PCS	5707292946232
	155171	Seat pit H50 x L140-240 x W150		2	PCS	5707292946249
29*	155171	Seat pit H50 x L140-240 x W150		2	PCS	5707292946249
	151910	Spacer f. add./abd.		4	PCS	5707292937100
	155171	Seat pit H50 x L140-240 x W150		2	PCS	5707292946249
31	151910	Spacer f. add./abd.		4	PCS	5707292937100
22+26	153590	Advance seat plate size 2		2	PCS	5707292952363

\* Choose size / color

### Advanced seating size 3



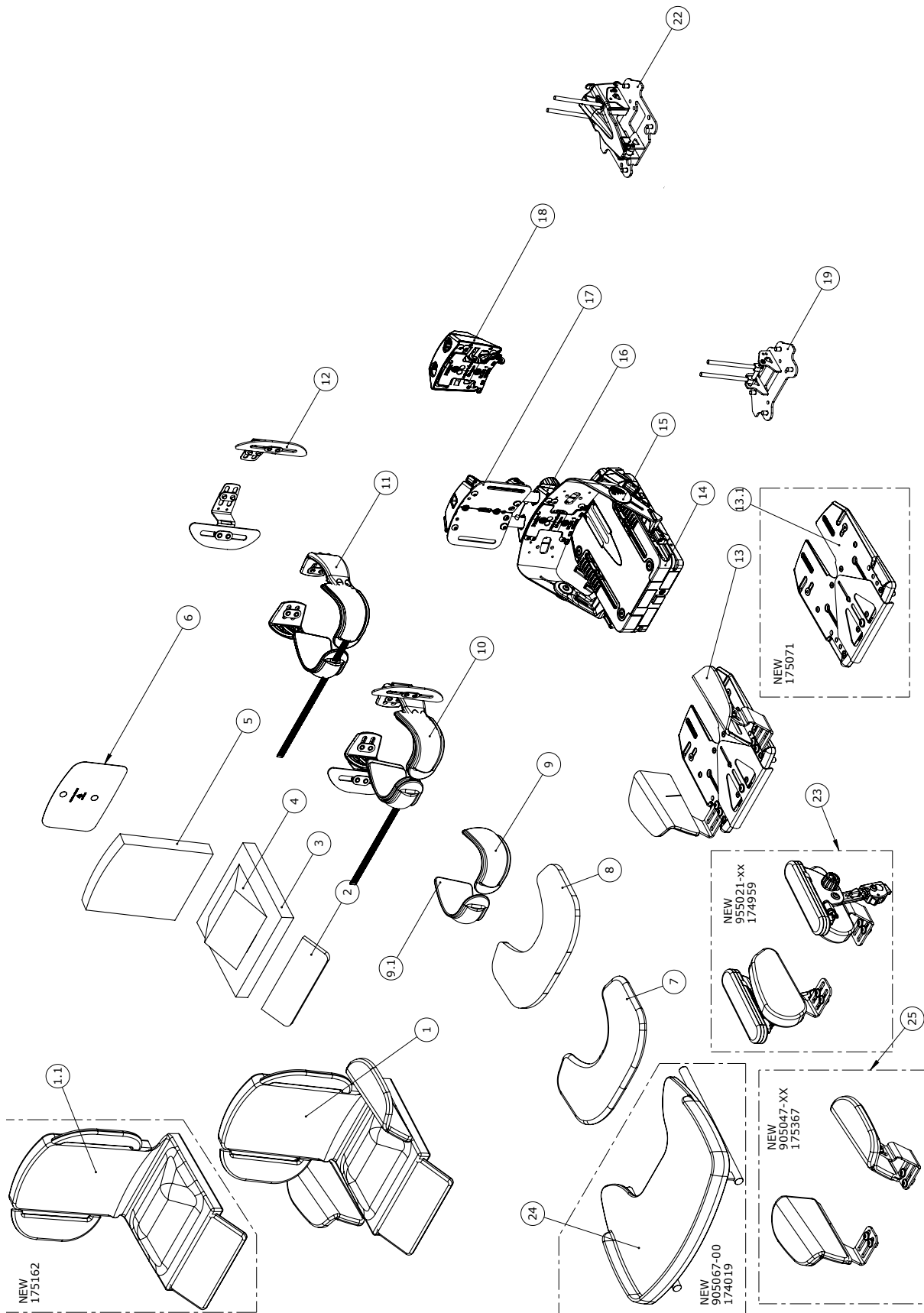
## Item numbers for Advanced seating size 3

Position	No.	Description		Quantity	Unit of Measure	Ean code
1*	163678-370	Hip.sup.back size1, R w. cover		1	PCS	5707292949639
	163678-380	Hip.sup.back size1, R w. cover		1	PCS	5707292949660
	147748	Outer house right s.2-3		1	PCS	5707292941442
	163678-380	Hip.sup.back size1, R w. cover		1	PCS	5707292949660
2*	161979-370	Hip.sup.back size3, L w. cover		1	PCS	5707292949561
	161979-380	Hip.sup.back size3, L w. cover		1	PCS	5707292949578
	0602190-1	Insex M6x12, FZD black		6	PCS	5707292927712
	161979-380	Hip.sup.back size3, L w. cover		1	PCS	5707292949578
3*	141170	Inner house L+R s.1-3		2	PCS	5707292941466
	150117-380	Dir. Hip.sup. L. S3 w. cover	Colour 80	1	PCS	5707292950093
	150117-3UB	Dir. Hip.sup. R. S3 w.o. cover		1	PCS	5707292950079
	150117-380	Dir. Hip.sup. L. S3 w. cover	Colour 80	1	PCS	5707292950093
4*	0604456	Ø3.5x30 plast tight screw		6	PCS	5707292937377
	149486-380	Dir. Hip.sup. L. S3, w. cover	Colour 80	1	PCS	5707292950000
	149486-3UB	Dir. Hip.sup. L. S3 w.o. cover		1	PCS	5707292949981
6*	163533-70	Flip down S3, right, w.cover		1	PCS	5707292949011
	163533-80	Flip down S3, right, w.cover		1	PCS	5707292949028
	149486-370	Dir. Hip.sup. L. S3, w. cover	Colour 70	1	PCS	5707292949998
	149486-380	Dir. Hip.sup. L. S3, w. cover	Colour 80	1	PCS	5707292950000
	163533-80	Flip down S3, right, w.cover		1	PCS	5707292949028
7*	147749	Outer house left s.2-3		1	PCS	5707292941459
	161201	Hinge Ass. Dir. Hip - size 3		1	PCS	5707292941411
8*	161348-QRD	Lower back stepless Ass.S3 QRD		1	PCS	5707292949318
	161348-D	Lower back stepless Ass. S.3,D		1	PCS	5707292949301
	161348	Lower back stepless Ass. S.3		1	PCS	5707292941947
9	161356	Lower Back Step Ass. S.3		1	PCS	5707292943996
11*	146278-SUP	Seat base-S.3,stepless cov. UP	Adv. seat, uden Pommel	1	PCS	5707292945198
	146278-DUP	Seat base-S.3, dynamic UP	Adv. seat, uden Pommel	1	PCS	5707292945181
	146278-D	Seat base-S.3, dynamic	Simple seat, with Pommel	1	PCS	5707292945167
12*	163534-70	Flip down S3, Left, w. cover		1	PCS	5707292948984
	163534-80	Flip down S3, Left, w. cover		1	PCS	5707292948991
13	153356	Hinge Ass. Basic - size 3		1	PCS	5707292940711
14	154712	Upper back ass. 220x220/260/300/340		1	PCS	5707292940261
15	154544	Upp.ba.ass.270x260/300/340/380		1	PCS	5707292940285
16	155257	Upp.ba.ass.340x300/340/380/420		1	PCS	5707292940346
17	153346-3	Recl.module Stepless size 3		1	PCS	5707292948335
20*	153349-3AL	Dynamic recl. S.3 Hard adj. lo		1	PCS	5707292946959
	163096-3FL	Dynamic recl.S3 fix,hard lock		1	PCS	5707292946898
	153349-3A	Dynamic recl. S.3 Hard adj		1	PCS	5707292946942
21	163740-O80	Outher Knee supp. Left, S.2	With cover	1	PCS	5707292953094
22	162094	Advance seat plate size 3		2	PCS	5707292952370
23	163753-I80	Inner Knee supp. left, S.3	With Cover	1	PCS	5707292953223
24*	158093-80	Pommel w. quick release s.2-3	Cover black Ipanima	1	PCS	5707292959959
	158093-70	Pommel w. quick release s.2-3	Cover Endurance	1	PCS	5707292959942
25	163746-I80	Inner Knee supp. Right, S.3	With cover	1	PCS	5707292953148

\* Choose size / color

Position	No.	Description	Quantity	Unit of Measure	Ean code	
26	162094	Advance seat plate size 3	2	PCS	5707292952370	
27	163735-O80	Outher Knee supp. Right, S.2	With cover	1	PCS	5707292952738
28*	155173	Seat pit H55 x L170-300 x W200		2	PCS	5707292946263
	155172	Seat pit H40 x L150-260 x W200		2	PCS	5707292946256
29	155173	Seat pit H55 x L170-300 x W200		2	PCS	5707292946263
31	151910	Spacer f. add./abd.	4	PCS	5707292937100	
* Choose size / color						

Infant kit



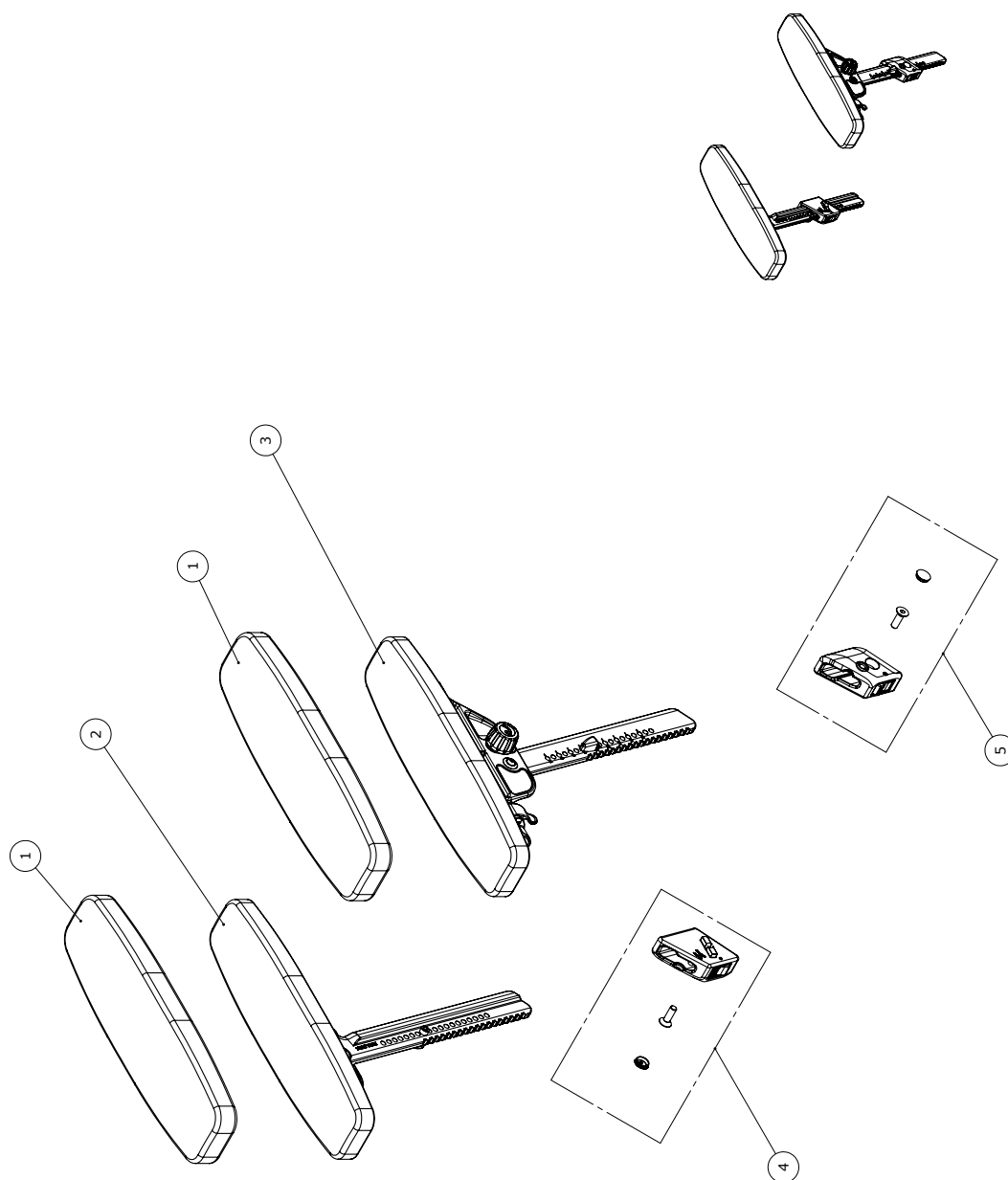
## Item numbers for Infant kit

Position	No.	Description		Quantity	Unit of Measure	Ean code
1*	151653-10	Infant seating cushion, Pink	Colour 10	1	PCS	5707292957696
	151653-70	Infant seating cushion, black	Colour 70, Black Indurance	1	PCS	5707292957719
	151653-20	Infant seating cushion, L blue	Colour 20 Light Blue	1	PCS	5707292957702
1.1*	175162-10	Cover Infant kit size Infant	Pink	1	PCS	5707292997180
	175162-20	Cover Infant kit size Infant	Light blue	1	PCS	5707292997197
	175162-70	Cover Infant kit size Infant	Black	1	PCS	5707292997203
2	151827	Legsupport inlay f. infant kit		1	PCS	5707292957634
3	152629	Seat Cushion foam 30 mm	Infant Kit	1	PCS	5707292957658
4	152630	Seat Cushion wedge	Infant Kit	1	PCS	5707292957665
5	164550	Foam assembly Back Infant Kit		1	PCS	5707292957641
6	160866	Insert ass. upper back 180x140		1	PCS	5707292947932
7	151708-70	Cover for soft tray s. 320x190		1	PCS	5707292957535
8	151722	Soft tray Inlay ass. 320x190		1	PCS	5707292957504
9*	151898-70	Belt side support Infant kit	Colour 70	1	PCS	5707292957566
	151898-80	Belt side support Infant kit	Colour 80	1	PCS	5707292957573
9.1*	165170-70	Belt side supp. L. Infant kit	Colour 70 sort endurance	1	PCS	5707292960849
	165170-80	Belt side supp. L. Infant kit	Colour 80 black Ipanima	1	PCS	5707292960856
9+9.1*	164629-70	Infant kit, side sup.belt ass.	Cover Indurance	1	PCS	5707292964731
	164629-80	Infant kit, side sup.belt ass.		1	PCS	5707292964748
10	163906-UB	Infant kit side sup. belt ass.	Farve 80	1	PCS	5707292964724
11	164629	Infant kit side support belt assembly		1	PCS	5707292964731
12	163905	Infant kit side support assembly		1	PCS	5707292959188
13	161610	Infant Kit		1	PCS	5707292945204
13.1	175071	Flat seat base Infant Kit		1	PCS	5707292995421
14*	139329-BUPS	Seat base-S.1, Basic cover UP	Simple seat, no pommel	1	PCS	5707292972064
	139329-SUPS	Seat base-S.1,stepless cov. UP	Simple seat, no Pommel	1	PCS	5707292972248
	139329-DUPS	Seat base-S.1, for dynamic UP	Simple seat, no pommel	1	PCS	5707292972224
15	161165	Hinge Ass. Basic - size 1		1	PCS	5707292940353
16*	151777-QRD	Lower back steples ass S.1 QRD		1	PCS	5707292949110
	151777	Lower back stepless ass S.1		1	PCS	5707292941749
	151777-D	Lower back stepless ass S.1,D		1	PCS	5707292949103
17	147082	Upper back ass. 140x180/220	Phantom component	1	PCS	5707292940223
18*	161298-QR	Lower back step ass S.1 QR		1	PCS	5707292941770
	161298	Lower back step ass S.1		1	PCS	5707292941763
19	153346-1	Recl.module Stepless size 1		1	PCS	5707292948311
22	164864-AL	Dynamic recl. S1 adj,Soft lock		1	PCS	5707292962003
23*	905021-10	Infant arm sup. kit incl cover	Pink	1	PCS	5707292995698
	905021-20	Infant arm sup. kit incl cover	Light blue	1	PCS	5707292995704
	905021-70	Infant arm sup. kit incl cover	Black wipeable	1	PCS	5707292995681
24	905067	Tray shape 9 with edge		1	PCS	5707292993304
25*	905047-10	Infant hip/arm sup incl cover	Pink	1	PCS	5707292995742
	905047-20	Infant hip/arm sup incl cover	Light blue	1	PCS	5707292995773
	905047-70	Infant hip/arm sup incl cover	Black wipeable	1	PCS	5707292995728

\* Choose size / color



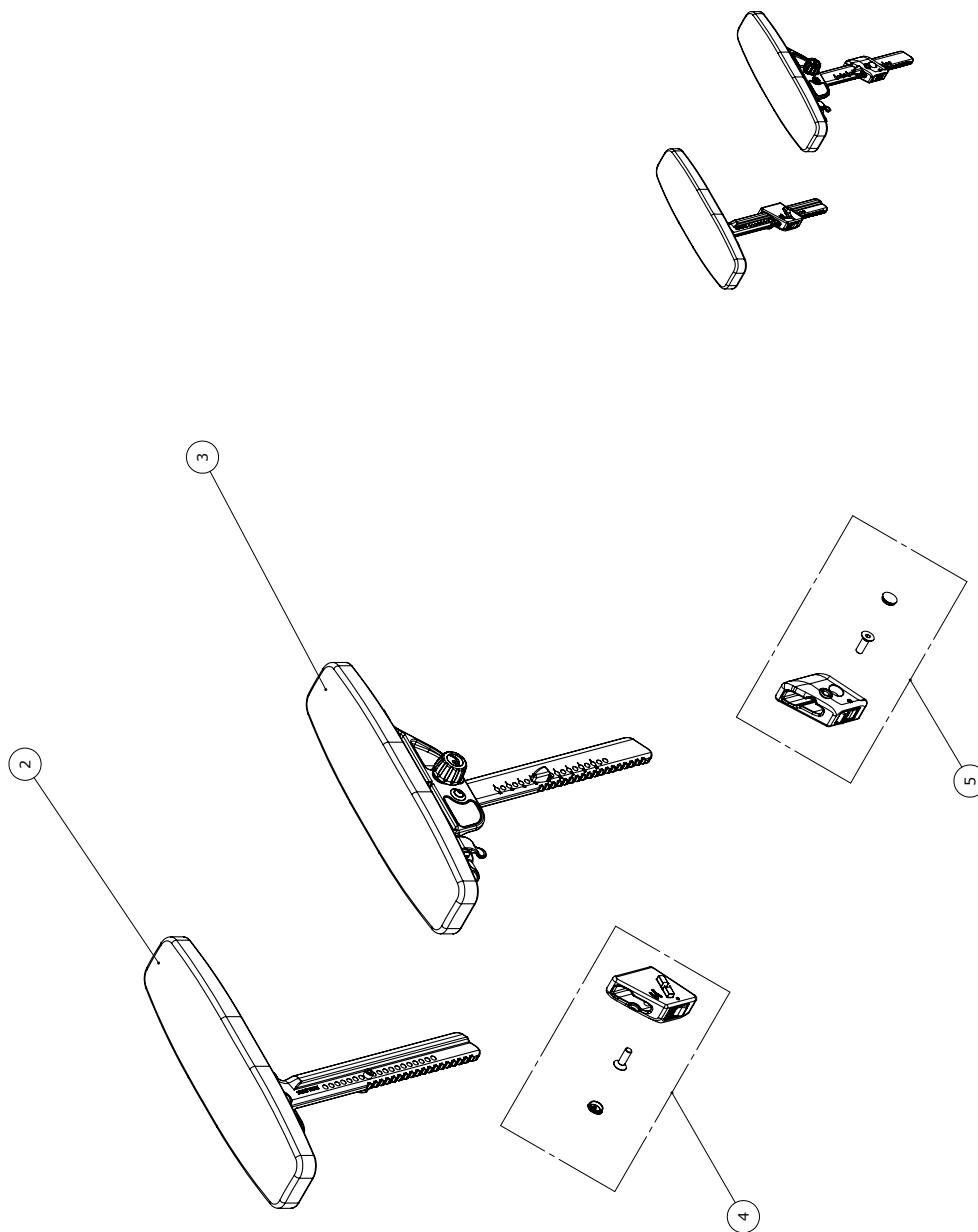
## Arm supports size 4, incl. cover



## Item numbers for Arm supports size 4, incl. cover (905016-70, 905016-80)

Position	No.	Description	Quantity	Unit of Measure	Ean code	
1*	156094-70	Cover L/R Arm support 100x380	Colour 70, Black Indurance	2	PCS	5707292959614
	156094-80	Cover L/R Arm support 100x380	Colour 80, Black Ipanima	2	PCS	5707292959621
2	155720	Arm support size 4, right		1	PCS	5707292965752
3	155721	Arm support size 4, Left		1	PCS	5707292965806
4	155338	Release housing, Right - S.2-3		1	PCS	5707292944320
5	155342	Release housing, Left - S.2-3		1	PCS	5707292944313
* Choose size / color						

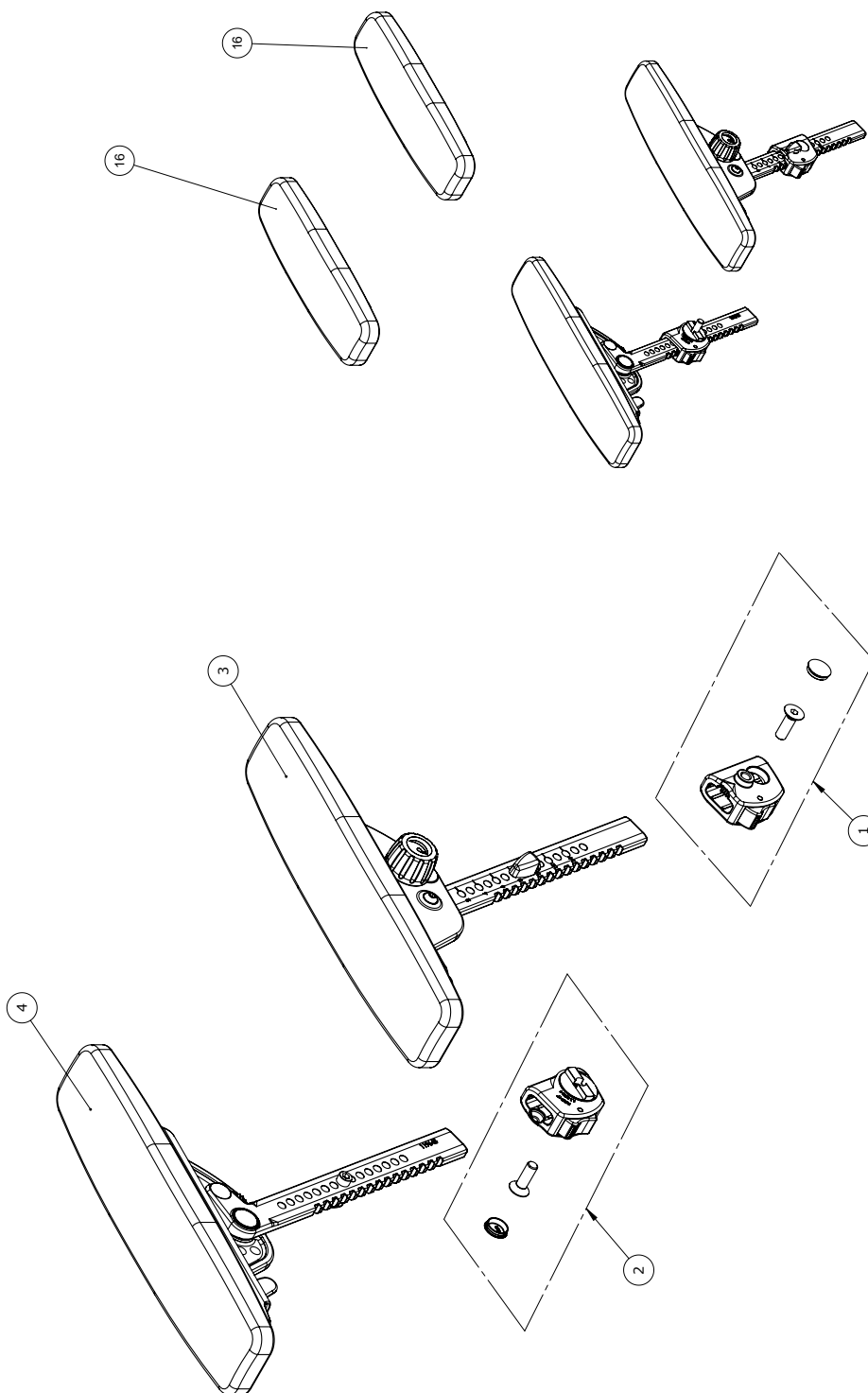
## Arm supports size 4, excl. cover



## Item numbers for Arm supports size 4, excl. cover (905016-00)

Position	No.	Description	Quantity	Unit of Measure	Ean code
2	155720	Arm support size 4, right	1	PCS	5707292965752
3	155721	Arm support size 4, Left	1	PCS	5707292965806
4	155338	Release housing, Right - S.2-3	1	PCS	5707292944320
5	155342	Release housing, Left - S.2-3	1	PCS	5707292944313
* Choose size / color					

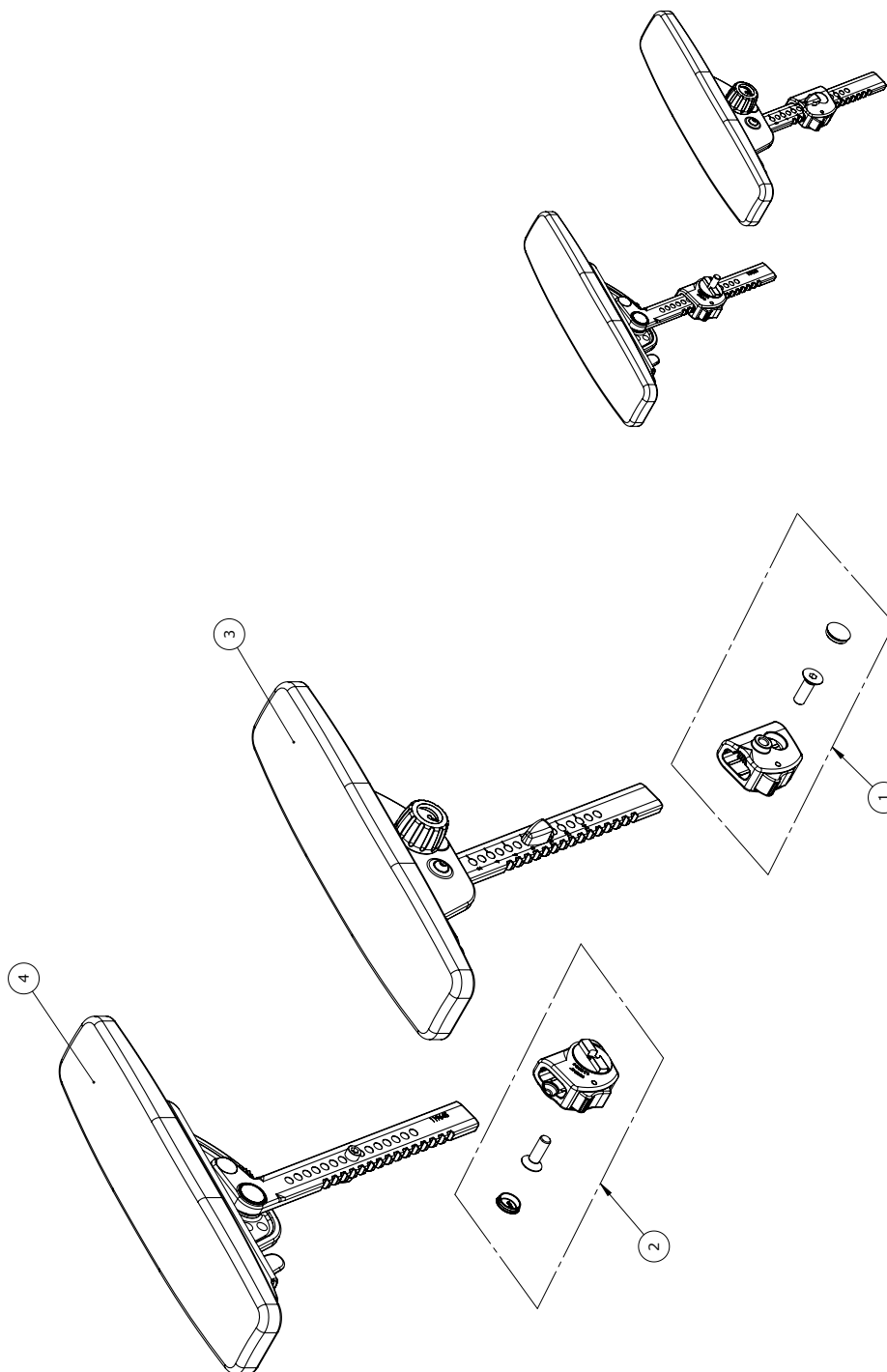
## Arm supports size 1, 2 & 3 incl. cover



Arm supports size 1, 2 & 3 incl. cover (905013-70, 905013-80, 905014-70, 905014-80, 905015-70, 905015-80)

Position	No.	Description	Quantity	Unit of Measure	Ean code	
1	116980	Release housing, left	1	PCS	5707292786395	
2	120258	Release housing, Right	1	PCS	5707292786401	
3*	118979	Armrest size 1 left	1	PCS	5707292785572	
	128458	Armrest size 1 Tooth bar s.2 L	Left	1	PCS	5707292810267
	117344	Armrest size 2, L tooth bar s3		1	PCS	5707292786074
4*	118992	Armrest size 1 right	1	PCS	5707292786067	
	128457	Armrest size 1 Tooth bar s.2 r	Right	1	PCS	5707292810250
	116760	Armrest size 2, R tooth bar s3		1	PCS	5707292785893
16*	156090-70	Cover L/R Arm support 75x260	Colour 70, Black Indurance	2	PCS	5707292959577
	156090-80	Cover L/R Arm support 75x260	Colour 80, Black Ipanima	2	PCS	5707292959584
	156091-70	Cover L/R Arm support 75x310	Colour 70, Black Indurance	2	PCS	5707292959591
	156091-80	Cover L/R Arm support 75x310	Colour 80, Black Ipanima	2	PCS	5707292959607
* Choose size / color						

Arm supports size 1, 2 & 3, excl. cover (8910615-1, 8910616-1, 8910617-1)

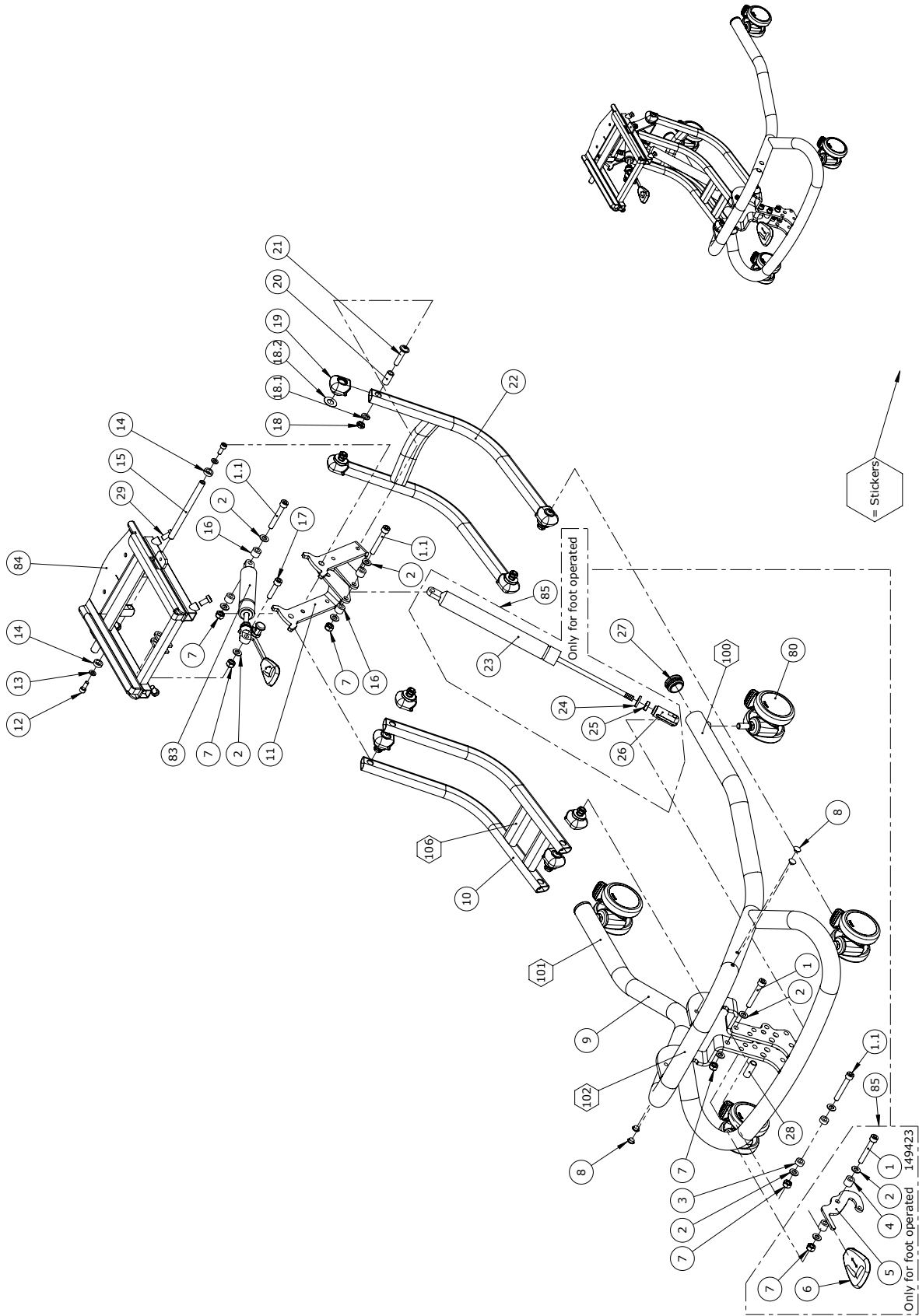


Item numbers for Arm supports size 1, 2 & 3, excl. cover (8910615-1, 8910616-1, 8910617-1)

Position	No.	Description	Quantity	Unit of Measure	Ean code
1	116980	Release housing, left	1	PCS	5707292786395
2	120258	Release housing, Right	1	PCS	5707292786401
3*	118979	Armrest size 1 left	1	PCS	5707292785572
	128458	Armrest size 1 Tooth bar s.2 Left	1	PCS	5707292810267
	117344	Armrest size 2, L tooth bar s3	1	PCS	5707292786074
4*	118992	Armrest size 1 right	1	PCS	5707292786067
	128457	Armrest size 1 Tooth bar s.2 right	1	PCS	5707292810250
	116760	Armrest size 2, R tooth bar s3	1	PCS	5707292785893
* Choose size / color					



# Size 1, Gas spring without seat

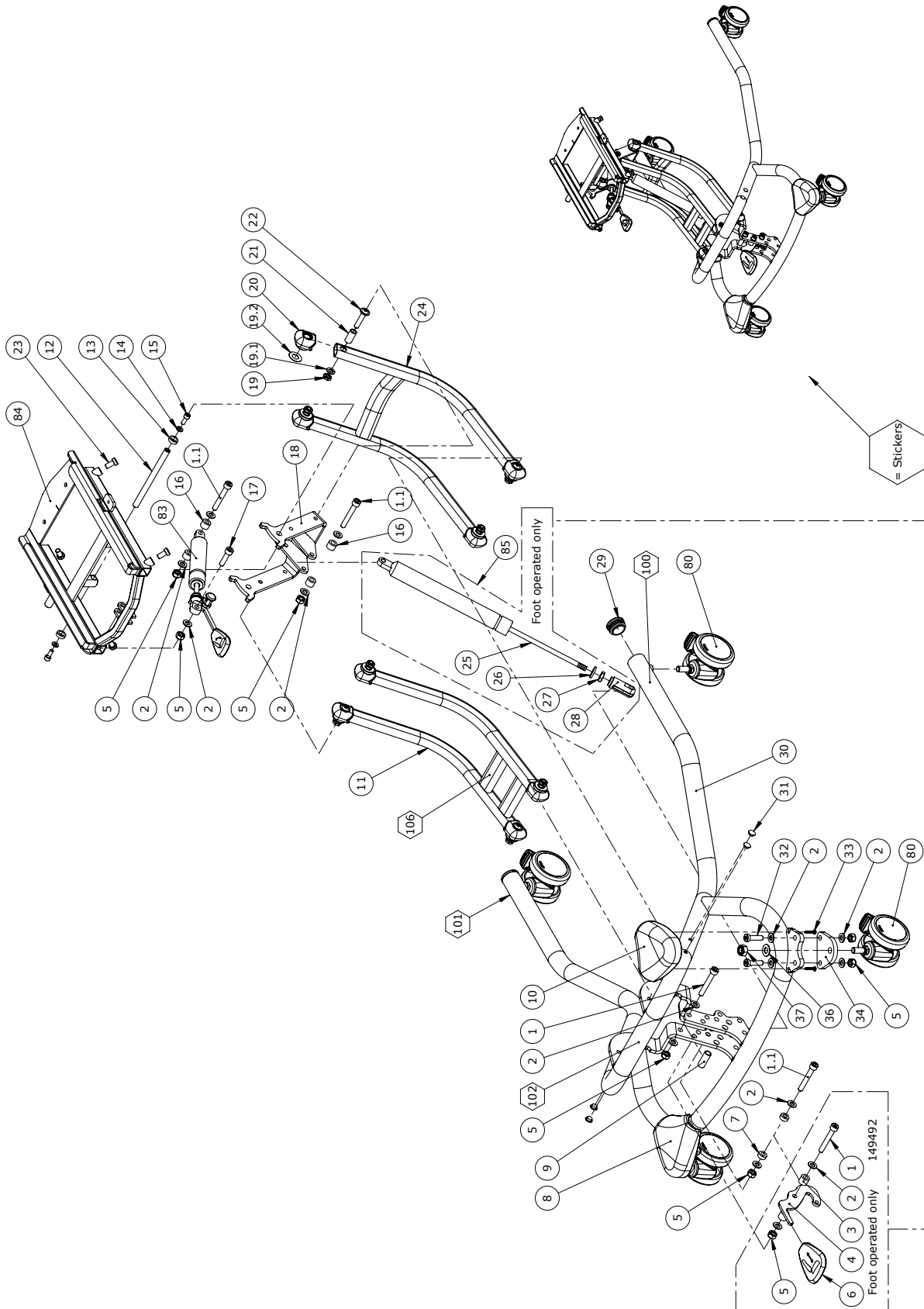


## Item numbers for size 1, Indoor Gas spring without seat

Position	No.	Description	Quantity	Unit of Measure	Ean code
1	0603600	Insex screw 8x55	1	PCS	5707292138262
1.1	0615011	Insex M8x55 fzb shortened	3	PCS	5707292928023
2	1103200	Fazet washer 8x16x1,5mm, FZB	9	PCS	5707292140296
3	1350000	Distancepart black 6x15x8,2 mm	2	PCS	5707292140876
4	1350023	Distance piece, black	2	PCS	5707292140913
5	152830	Lever arm low	1	PCS	5707292924513
6	142199-1	Release Pedal	1	PCS	5707292910783
7	1607000	Lock nut 8mm, large pack	5	PCS	5707292141378
8	1310508	DR. fastener - afd. prop	4	PCS	5707292829795
9*	134813-04	Complete frame - size 1, Black	1	PCS	5707292895967
	134813-10	Complete frame - size 1, White	1	PCS	5707292908476
10*	135749-04	Upper arm - size 1/2	1	PCS	5707292883742
	135749-10	Upper arm - size 1/2, White	1	PCS	5707292883704
11	140633-04	Tip brace High-low size 1-2	1	PCS	5707292907479
12	0602200	Insex screw 6x16	2	PCS	5707292138095
13	1105060	SS washer M6 6,4x12x1,6	2	PCS	5707292140357
14	1350040	Distancepart black 15x5x10,5mm	2	PCS	5707292911162
15	140826	Shaft - adaptor	1	PCS	5707292907851
16	1350021	Distance piece 11x15x8,2mm	4	PCS	5707292140890
17	0615010	Insex M8x30 fzb, shortened	1	PCS	5707292367990
18	1750800	Lock nut, stainless M8	8	PCS	5707292141484
18.1	1101050	Spring washer M8, wavy FZB	8	PCS	5707292458667
18.2	173111	Washer Ø24/Ø12x0,5	8	PCS	5707292997470
19	136960	Endbush for arm	8	PCS	5707292907684
20	135399	Bushing	8	PCS	5707292913142
21	173190	Pan Head black zink M8x37	8	PCS	5707292993205
22*	135738-04	Lower arm - size 1/2, Black	1	PCS	5707292883759
	135738-10	Lower arm - size 1/2 White	1	PCS	5707292906915
23	2205410-2	Bloc-o-Lift 1000 N	1	PCS	5707292927620
24	1310712	Nylon washer, nature	1	PCS	5707292356345
25	1761000	Counter nut 10x1,0 fine thread	1	PCS	5707292141538
26	6118822	Horizontal release	1	PCS	5707292186744
27	3501860	Dupsko DPD32	2	PCS	5707292840097
28	140344	Distance bushing	1	PCS	5707292911261
29	0603530	Insex low head M8x16 stainless	4	PCS	5707292412492
80	3006825	75mm wheel w/brake, black	4	PCS	5707292371393
83	140402	Gas spring size 1+2 Tilt	1	PCS	5707292911711
84	148507-04	T-Frame (x-panda 1-2)	1	PCS	5707292908520
85	149423	Foot operated Gascylinder HL1	1	PCS	5707292912824
100*	0494665	x:panda shape TS product brand, Silver	1	PCS	5707292989369
	0494663	x:panda shape TS product brand, Black	1	PCS	5707292989345
101*	0494614	R82 by Etac logo - Silver	1	PCS	5707292921611
	0494619	R82 by Etac logo - Black	1	PCS	5707292921994
102 *	0494615	Size 1 - Silver	1	PCS	5707292921628
	0494667	Infant Product brand, Silver	1	PCS	5707292989383
	0494609	Size 1 - Black	1	PCS	5707292922007
106	0493437	Label "exclamation mark"	1	PCS	5707292136909

\* choose color

# Size 2, Gas spring without seat



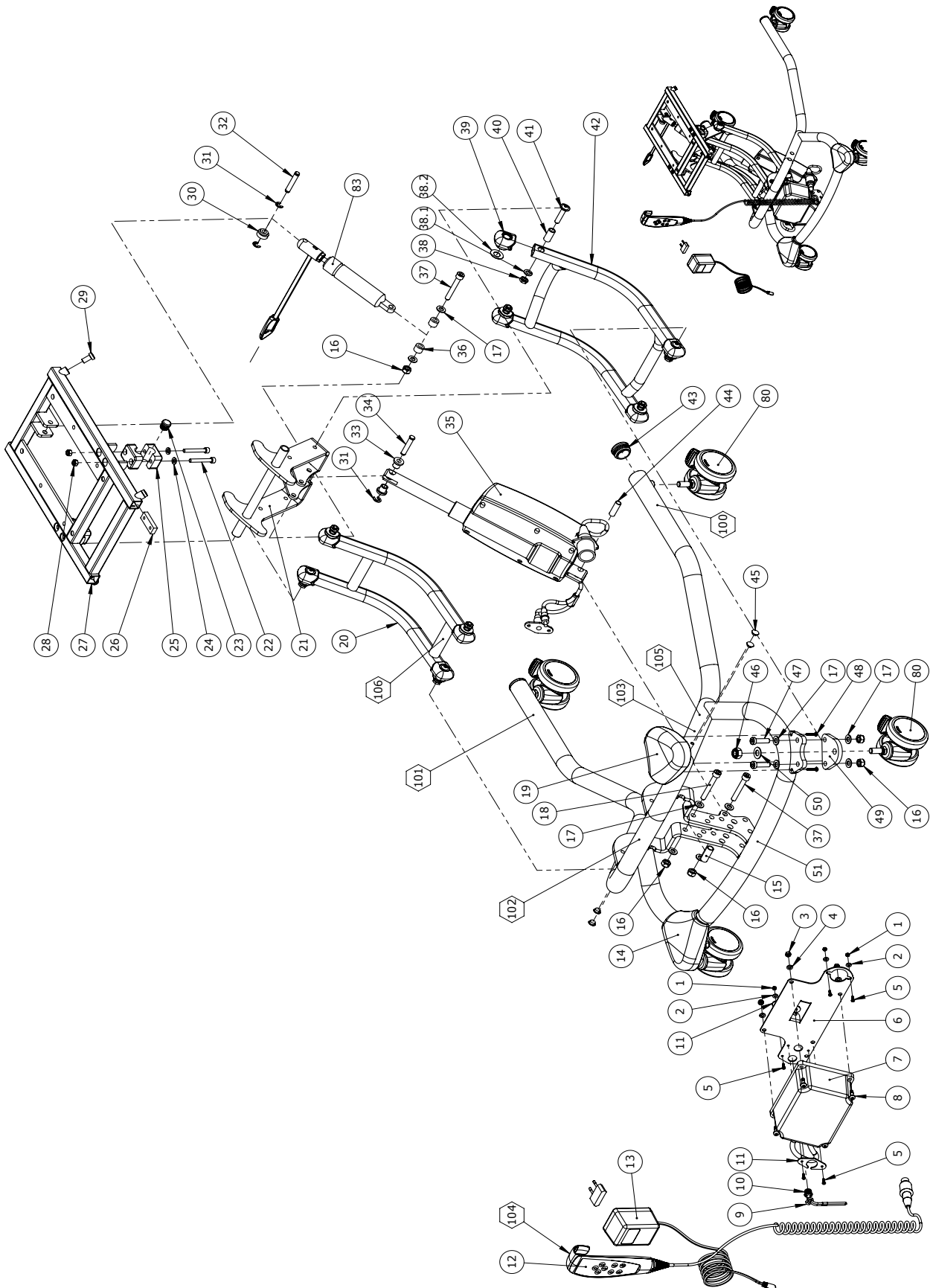
## Item numbers for Size 2, Gas spring without seat

Position	No.	Description	Quantity	Unit of Measure	Ean code
1	0603600	Insex screw 8x55	1	PCS	5707292138262
1.1	0615011	Insex M8x55 fzb shortened	3	PCS	5707292928023
2	1103200	Fazet washer 8x16x1,5mm, FZB	17	PCS	5707292140296
3	1350023	Distance piece, black	2	PCS	5707292140913
4	152830	Lever arm low	1	PCS	5707292924513
5	1607000	Lock nut 8mm, large pack	9	PCS	5707292141378
6	142199-1	Release Pedal	1	PCS	5707292910783
7	1350000	Distancepart black 6x15x8,2 mm	2	PCS	5707292140876
8	139838	High/Low 2-3 standard cover L	1	PCS	5707292907677
9	140344	Distance bushing	1	PCS	5707292911261
10	139826	High/Low 2-3 standard cover R	1	PCS	5707292907660
11*	135749-04	Upper arm - size 1/2, Black	1	PCS	5707292883742
	135749-10	Upper arm - size 1/2, White	1	PCS	5707292883704
12	140826	Shaft - adaptor	1	PCS	5707292907851
13	1350040	Distancepart black 15x5x10,5mm	2	PCS	5707292911162
14	1105060	SS washer M6 6,4x12x1,6	2	PCS	5707292140357
15	0602200	Insex screw 6x16	2	PCS	5707292138095
16	1350021	Distance piece 11x15x8,2mm	4	PCS	5707292140890
17	0615010	Insex M8x30 fzb, shortened	1	PCS	5707292367990
18	140633-04	Tip brace High-low size 1-2	1	PCS	5707292907479
19	1750800	Lock nut, stainless M8	8	PCS	5707292141484
19.1	1101050	Spring washer M8, wavy FZB	8	PCS	5707292458667
19.2	173111	Washer Ø24/Ø12x0,5	8	PCS	5707292997470
20	136960	Endbush for arm	8	PCS	5707292907684
21	135399	Bushing	8	PCS	5707292913142
22	173190	Pan Head black zink M8x37	8	PCS	5707292993205
23	0603530	Insex low head M8x16 stainless	4	PCS	5707292412492
24	135738-04	Lower arm - size 1/2, Black	1	PCS	5707292883759
24	135738-10	Lower arm - size 1/2 White	1	PCS	5707292906915
25	2205420	Bloc-o-Lift 1400 N	1	PCS	5707292912770
26	1310712	Nylon washer, nature	1	PCS	5707292356345
27	1761000	Counter nut 10x1,0 fine thread	1	PCS	5707292141538
28	6118822	Horizontal release	1	PCS	5707292186744
29	3501860	Dupsko DPD32	2	PCS	5707292840097
30*	139825-04	Complete frame - size 2 and 3, Black	1	PCS	5707292903419
	139825-10	Complete frame - size 2 and 3, White	1	PCS	5707292931009
31	1310508	DR. fastener - afd. prop	4	PCS	5707292829795
32	0603536	Insex lov head M8x30	4	PCS	5707292575326
33	0610620	screw ø3,5x20 DELTA PT A2	4	PCS	5707292903778
34	139619	Adaptor for indoor wheels sz2	2	PCS	5707292911209
36	1102500	Planning washer 10 mm	2	PCS	5707292140234
37	1607500	Lock nut 10 mm	2	PCS	5707292141385
80	3006825	75mm wheel w/brake, black	4	PCS	5707292371393
83	140402	Gas spring size 1+2 Tilt	1	PCS	5707292911711
84	148506-04	T-Frame (x-panda 3)	1	PCS	5707292908513
85	149492	Foot operated Gascylinder HL2	1	PCS	5707292913920

\* choose color

Position	No.	Description	Quantity	Unit of Measure	Ean code
100*	0494665	x:panda shape TS product brand, silver	1	PCS	5707292989369
	0494663	x:panda shape TS product brand, black	1	PCS	5707292989345
101*	0494614	R82 by Etac logo - Silver	1	PCS	5707292921611
	0494619	R82 by Etac logo - Black	1	PCS	5707292921994
102*	0494616	Size 2 - Silver	1	PCS	5707292921635
	0494656	Str. mærke til high-low:xo - Black	1	PCS	5707292930743
106	0493437	Label "exclamation mark"	1	PCS	5707292136909
* choose color					

### Size 3, Power without seat



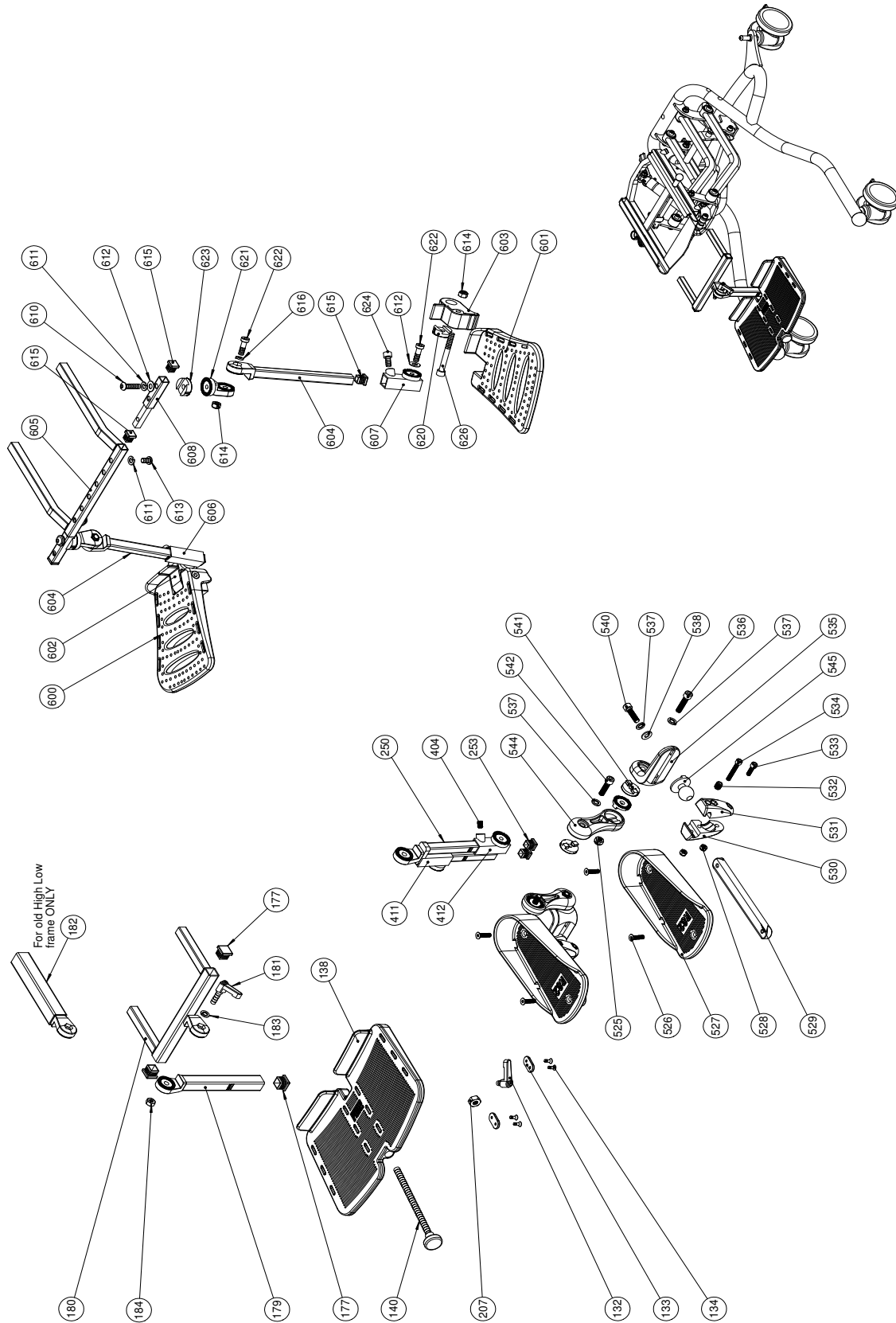
## Item numbers for Size 3, Power Without seat

Position	No.	Description	Quantity	Unit of Measure	Ean code
1	1606250	Self-locking nut 3mm	6	PCS	5707292408396
2	1102800	Fazet washer 4mm	6	PCS	5707292140265
3	1606300	Lock nut 5 mm	4	PCS	5707292141354
4	1102902	Washer 5mm, A2	4	PCS	5707292411280
5	1902595	Crosshead screw M3x12, FZB	6	PCS	5707292565099
6	136851	Bracket batteri	1	PCS	5707292911216
7	2222110	Power unit ba18027	1	PCS	5707292492258
8	1902760	Cross-headed screw 5x16 mm	4	PCS	5707292142146
9	138882	Elastic band with clamp	1	PCS	5707292912879
10	2222112	Plug for battery box	1	PCS	5707292913241
11	138368	Reinforcement plate	2	PCS	5707292911223
12	2222089	Hand control HB30	1	PCS	5707292795489
13	2222161	Charger with plugs	1	PCS	5707292574046
14	139838	High/Low 2-3 standard cover L	1	PCS	5707292907677
15	140344	Distance bushing	1	PCS	5707292911261
16	1607000	Lock nut 8mm, large pack	7	PCS	5707292141378
17	1103200	Fazet washer 8x16x1,5mm, FZB	14	PCS	5707292140296
18	0603660	Insex screw 8x60	1	PCS	5707292138279
19	139826	High/Low 2-3 standard cover R	1	PCS	5707292907660
20*	140189-04	Upper arm H/L sz3 Power, Black	1	PCS	5707292903372
	140189-10	Upper arm H/L sz3 Power, White	1	PCS	5707292931177
21	140667-04	Tip brace High-low size 3	1	PCS	5707292907486
22	0602445	Insex M6x45 FZB	4	PCS	5707292138156
23	2501600	Ferrule d15x1,0 black	2	PCS	5707292143969
24	1105060	SS washer M6 6,4x12x1,6	4	PCS	5707292140357
25	2521840	Pipe holder f/16mmsquare,black	4	PCS	5707292399236
26	77571	Fastening bracket	2	PCS	5707292489982
27	152248-04	Seat frame	1	PCS	5707292922588
28	1606500	Lock nut 6 mm	4	PCS	5707292141361
29	0603530	Insex low head M8x16 stainless	4	PCS	5707292412492
30	77574	Sleeve f. Strike	1	PCS	5707292490773
31	1145070	Lock washer 7mm	3	PCS	5707292140586
32	80921	locking pin, Wombat	1	PCS	5707292111371
33	82848	Bush	2	PCS	5707292125484
34	140441	Lock pin	1	PCS	5707292911278
35	2222145	Actuator LA32 f/ HL3 + Wombat3	1	PCS	5707292903617
36	1350021	Distance piece 11x15x8,2mm	2	PCS	5707292140890
37	0615011	Insex M8x55 fzb shortened	2	PCS	5707292928023
38	1750800	Lock nut, stainless M8	8	PCS	5707292141484
38.1	1101050	Spring washer M8, wavy FZB	8	PCS	5707292458667
38.2	173111	Washer Ø24/Ø12x0,5	8	PCS	5707292997470
39	136960	Endbush for arm	8	PCS	5707292907684
40	135399	Bushing	8	PCS	5707292913142
41	173190	Pan Head black zink M8x37	8	PCS	5707292993205
42*	140188-04	Lower arm sz3 Power, Black	1	PCS	5707292903358
	140188-10	Lower arm sz3 Power, White	1	PCS	5707292931184
43	3501860	Dupsko DPD32	2	PCS	5707292840097
* Choose color/size					

Position	No.	Description	Quantity	Unit of Measure	Ean code
44	P-6108200	Plast tube pa11 Ø10/Ø8mmx30mm	1	PCS	5707292585424
45	1310508	DR. fastener - afd. prop	4	PCS	5707292829795
46	1607500	Lock nut 10 mm	2	PCS	5707292141385
47	0603536	Insex lov head M8x30	4	PCS	5707292575326
48	0610620	screw ø3,5x20 DELTA PT A2	4	PCS	5707292903778
49	139619	Adaptor for indoor wheels sz2	2	PCS	5707292911209
50	1102500	Planning washer 10 mm	2	PCS	5707292140234
51*	139825-04	Complete frame - size 2 and 3, Black	1	PCS	5707292903419
	139825-10	Complete frame - size 2 and 3, White	1	PCS	5707292931009
80	3006825	75mm wheel w/brake, black	4	PCS	5707292371393
83	140413	Gas spring size 3 Tilt	1	PCS	5707292915238
100*	0494665	x:panda shape TS product brand, Silver	1	PCS	5707292989369
	0494663	x:panda shape TS product brand, Black	1	PCS	5707292989345
101*	0494614	R82 by Etac logo - Silver	1	PCS	5707292921611
	0494619	R82 by Etac logo - Black	1	PCS	5707292921994
102*	0494617	Size 3 - Silver	1	PCS	5707292921642
	0494657	Str. 3 mærke til high-low:xo, Black	1	PCS	5707292930750
103	0494089	IP/BF sticker	1	PCS	5707292795809
104	0492119	Sticker handcontrol HLeI Womb	1	PCS	5707292552594
105	0494648	HLXO-WL-CA Conditions	1	PCS	5707292924490
106	0493437	Label "exclamation mark"	1	PCS	5707292136909
* Choose color/size					



# Foot rest



## Item numbers for Foot rest

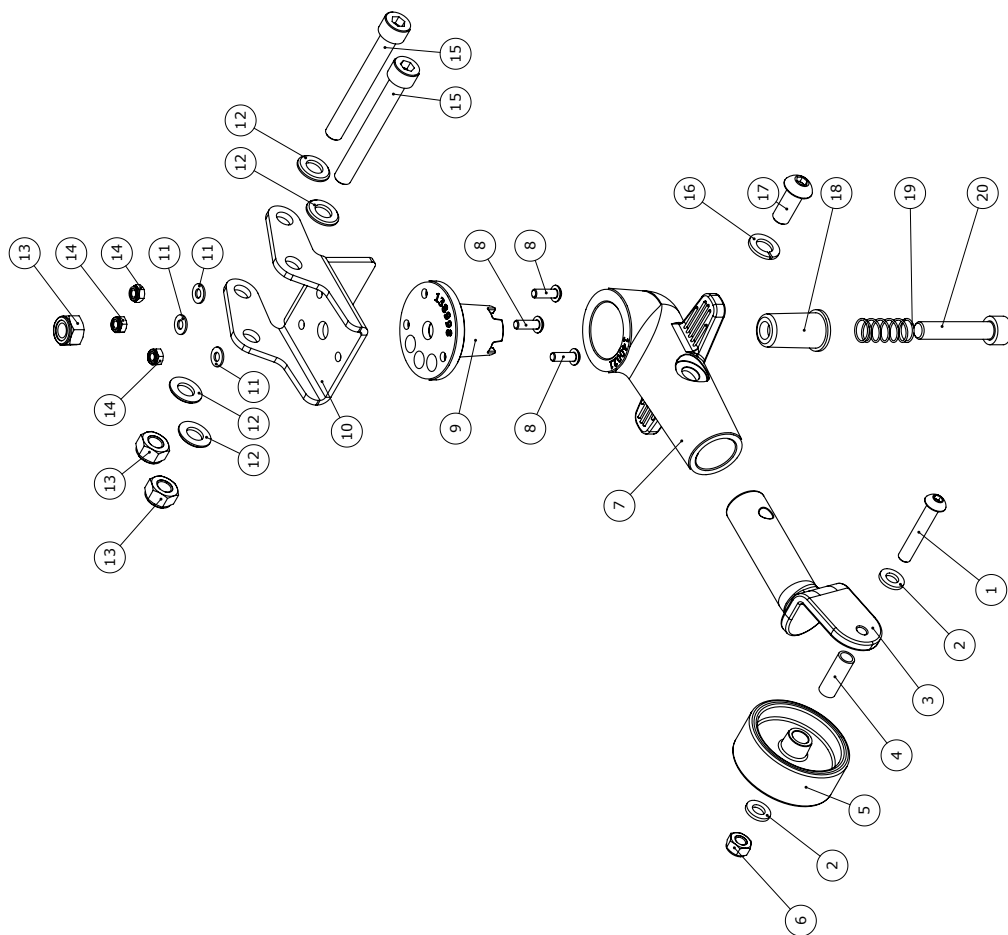
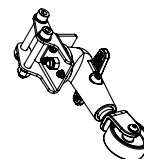
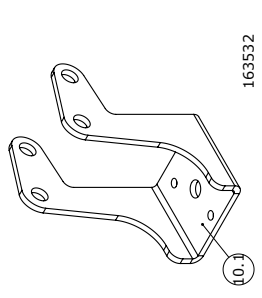
Position	No.	Description	Quantity	Unit of Measure	Ean code
132	3502516	TIGHTENING HANDLE 45MM M8x16	1	PCS	5707292146915
133	82950	HOLLOW PLATE 16x32, WOMBAT	2	PCS	5707292126030
134	1940017	SHEET METAL SCREW UHX4,2x13FZB	4	PCS	5707292142597
138	82944	FOOTPLATE SIZE 1, WOMBAT	1	PCS	5707292125996
138	82940	FODPLADE STR.2, WOMBAT	1	PCS	5707292125958
140	3502780	HANDLE 28MM,M10x160MM THREAD	1	PCS	5707292363145
140	3502790	HAND GRIP 28MM, M10x196MM	1	PCS	5707292363152
177	2504500	FERRULE E20x1,0-2,0 INT.BLACK	5	PCS	5707292144126
179*	75260	Rod size 0 for footrest	1	PCS	5707292458346
	75261	Rod size 1 for footrest	1	PCS	5707292455543
	75262	Rod size 2 for footrest	1	PCS	5707292458353
	75263	Rod size 3 for footrest	1	PCS	5707292458360
	75264	Rod size 4 for footrest	1	PCS	5707292455505
180	75270	HOLDER SIZE 1 FOR FOOTREST	1	PCS	5707292455598
180	75272	HOLDER SIZE 2 FOR FOOTREST	1	PCS	5707292458384
181	3504025	TIGHTENING HANDLE 45MM M8x25	1	PCS	5707292147103
182*	75266	HOLDER SIZE 1 FOR FOOTREST	1	PCS	5707292455611
	75267	HOLDER SIZE 2 FOR FOOTREST	1	PCS	5707292455604
183	1101000	CENTER SPRING WASHER 8MM	1	PCS	5707292140173
184	1603500	STEEL NUT 8MM, LARGE PACK	1	PCS	5707292141286
207	1607500	Lock nut 10 mm	1	PCS	5707292141385
250*	75285	Holder size 0, double footrest	1	PCS	5707292458445
	75286	Holder size 1, double footrest	1	PCS	5707292458452
	75287	HOLDER SIZE 2,DOUBBLE FOOTREST	1	PCS	5707292458469
	75288	HOLDER SIZE 3,DOUBBLE FOOTREST	1	PCS	5707292458476
	75289	Holder size , double footrest	1	PCS	5707292458483
253	2504000	FERRULE E15x1,0-2,0 INT.BLACK	2	PCS	5707292144102
404	0701000	Stop screw with crater 8x10	2	PCS	5707292139870
411	73734	Mounting for footrest,right	1	PCS	5707292433466
412	73735	Mounting for footrest,left	1	PCS	5707292433473
525	1607000	Lock nut 8mm, large pack	2	PCS	5707292141378
526	0612500	Insex screw counters. 6x25	4	PCS	5707292138712
527	82156-60	Footplate size 1,black,gazelle	2	PCS	5707292230492
527	82154-60	Footplate size 2,black,gazelle	2	PCS	5707292230478
527	82158-60	Footplate size 3 black,gazelle	2	PCS	5707292230508
528	1606500	Lock nut 6 mm	4	PCS	5707292141361
529	73648	Stick size 1, footrest	2	PCS	5707292445797
529	73649	Stick size 2, footrest	2	PCS	5707292445803
530	72724	Ball joining right	2	PCS	5707292421845
531	72723	Ball joining left	2	PCS	5707292421814
532	0701010	Set screw M10x10 w/flat end	2	PCS	5707292434098
533	0602300	Insex screw 6x20	2	PCS	5707292138101
534	0602440	Insex M6x40 FZB	2	PCS	5707292138149
535	72713	Bracked	2	PCS	5707292420763
536	0603000	Insex screw 8x35	2	PCS	5707292138217
537	1101000	Center spring washer 8mm	6	PCS	5707292140173
538	1102010	Face plate 8,4x18x2mm, FZB	2	PCS	5707292429766

\*Choose size/left/right

Position	No.	Description	Quantity	Unit of Measure	Ean code
540	0602700	Insex screw 8x25	2	PCS	5707292138187
541	74062	Toothed disk 30x14	6	PCS	5707292377951
542	0602850	Insex M8x22, FZB	2	PCS	5707292435408
544	72712	Knee joint	2	PCS	5707292420756
545	72721	Ballhead	2	PCS	5707292428875
600	74052	Foot plate 1, right	1	PCS	5707292373748
601	74053	Foot plate 1, left	1	PCS	5707292373755
602	74044	Mounting for foot plate, right	1	PCS	5707292373687
603	74045	Mounting for foot plate, left	1	PCS	5707292373694
604*	75317	Rod for footrest size 0, 21 cm	2	PCS	5707292477774
	75319	Rod for footrest size 2, 34 cm	2	PCS	5707292477804
	75325	Rod for footrest size 3, 38 cm	2	PCS	5707292477811
605*	75327	Holder for footrest size 1	1	PCS	5707292477545
	75312	Holder for footrest size 2	1	PCS	5707292477538
606*	73734	Mounting for footrest,right	1	PCS	5707292433466
	73735	Mounting for footrest,left	1	PCS	5707292433473
607*	73735	Mounting for footrest,left	1	PCS	5707292433473
	73734	Mounting for footrest,right	1	PCS	5707292433466
610	0663000	Button head screw 8x30 stainl.	2	PCS	5707292139597
611	1100500	Spring washer 8mm, stainless	2	PCS	5707292140142
612	1102000	Planing washer 8mm	4	PCS	5707292140227
614	1607000	Lock nut 8mm, large pack	4	PCS	5707292141378
615	2504000	Ferrule e15x1,0-2,0 int.black	4	PCS	5707292144102
616	1100495	Spring washer M8	2	PCS	5707292458674
620	74061	Tooth washer Ø30	2	PCS	5707292373816
621	75315	Rotary joint	2	PCS	5707292477927
622	0603535	Insex low head M8x25	4	PCS	5707292575319
623	75329	Tooth disk Ø30x10	2	PCS	5707292482389
624	0603530	Insex low head M8x16 stainless	2	PCS	5707292412492
626	0603700	Insex screw 8x70	2	PCS	5707292138293
*Choose size/left/right					

# Anti-tippers

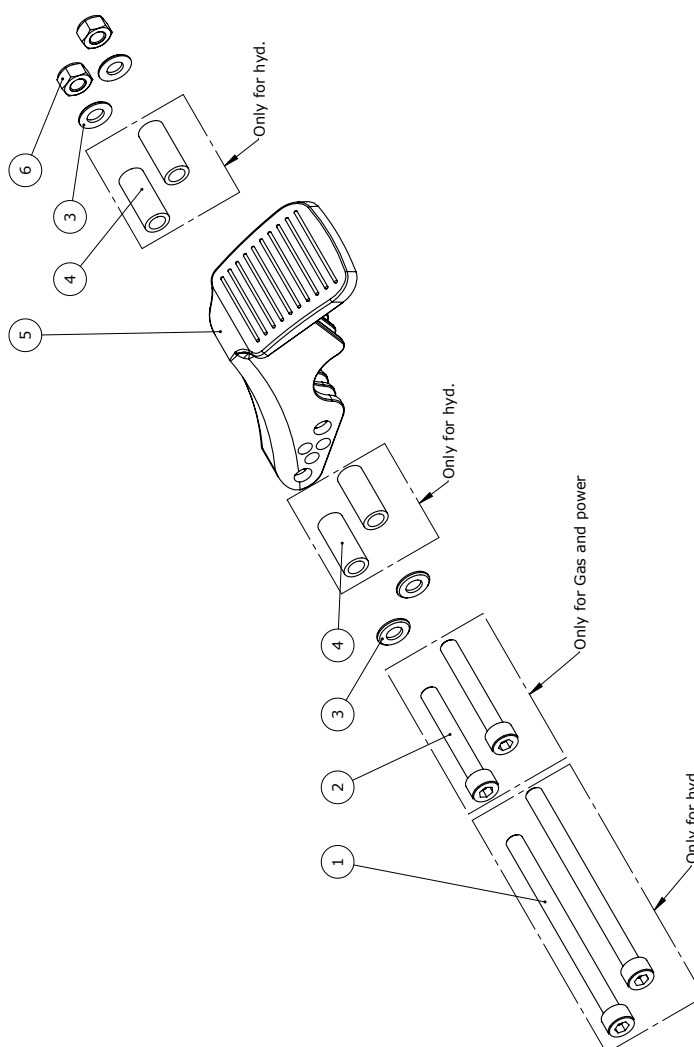
Bracket for anti tip 125mm wheels



## Item numbers for Anti-tippers (890007, 890007-1, 890009)

Position	No.	Description	Quantity	Unit of Measure	Ean code
1	0659585	Button head M6x35, stainless	1	PSC	5707292139498
2	1105060	SS washer M6 6,4x12x1,6	2	PSC	5707292140357
3	141344	Wheel mount anti tilt right	1	PSC	5707292882103
4	111855	Bush for anti tilt device	1	PSC	5707292592989
5	303610	Wheel 50x19 Ø8 PU	1	PSC	5707292612748
6	1631060	Stainless lock nut 6mm	1	PSC	5707292141446
7	140021	Base for tip brace	1	PSC	5707292910882
8	0601900	Button head M4x12 FZB	3	PSC	5707292908285
9	138998	Anti tip base	1	PSC	5707292910875
10	138873	Bracket for anti tip	1	PSC	5707292911247
10.1	163532	Bracket for anti tip -indoor	1	PSC	5707292949141
11	1102800	Fazet washer 4mm	3	PSC	5707292140265
12	1103200	Fazet washer 8x16x1,5mm, FZB	4	PSC	5707292140296
13	1607000	Lock nut 8mm, large pack	3	PSC	5707292141378
14	1606275	Lock nut 4mm, large pack	3	PSC	5707292141347
15	0603665	Insex screw 8x65	2	PSC	5707292138286
16	1101050	Spring washer M8, wavy FZB	1	PSC	5707292458667
17	0662000	Button head screw 8x20 stainl.	1	PSC	5707292139573
18	103128	Spring retainer anti tilt	1	PSC	5707292568069
19	0310129	pressure spring 0,9x11x26mmx7v	1	PSC	5707292438782
20	0603455	Insex M8x40, fzb, st 12.9	1	PSC	5707292482853

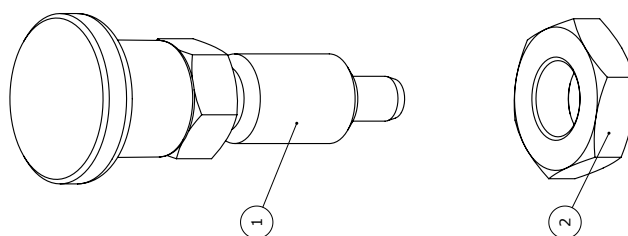
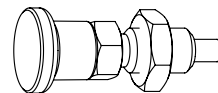
# Threshold assistance



**Item numbers for Threshold assistance (890025)**

Position	No.	Description	Quantity	Unit of Measure	Ean code
1 (only for hydraulic)	0603975	Insex screw 8x110	2	PCS	5707292138330
2 (only for gas & power)	0603600	Insex screw 8x55	2	PCS	5707292138262
3	1103200	Fazet washer 8x16x1,5mm, FZB	4	PCS	5707292140296
4 (only for hydraulic)	150136	Distance bush for hyd. cb.	4	PCS	5707292914491
5	139326	Tip support	1	PCS	5707292910868
6	1607000	Lock nut 8mm, large pack	2	PCS	5707292141378

## Lock of height adjustment

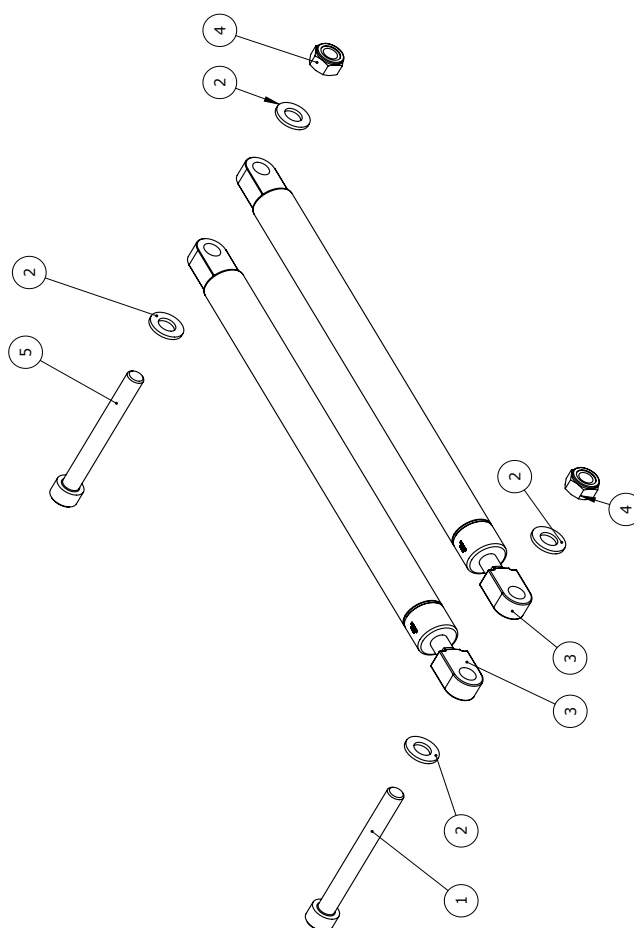
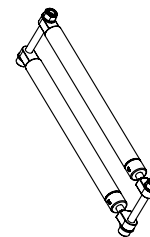




**Item numbers for Lock of height adjustment (890024)**

Position	No.	Description	Quantity	Unit of Measure	Ean code
1	0380175	Positioneringsbolt	1	PCS	5707292926951
2	1761000	Counter nut 10x1,0 fine thread	1	PCS	5707292141538

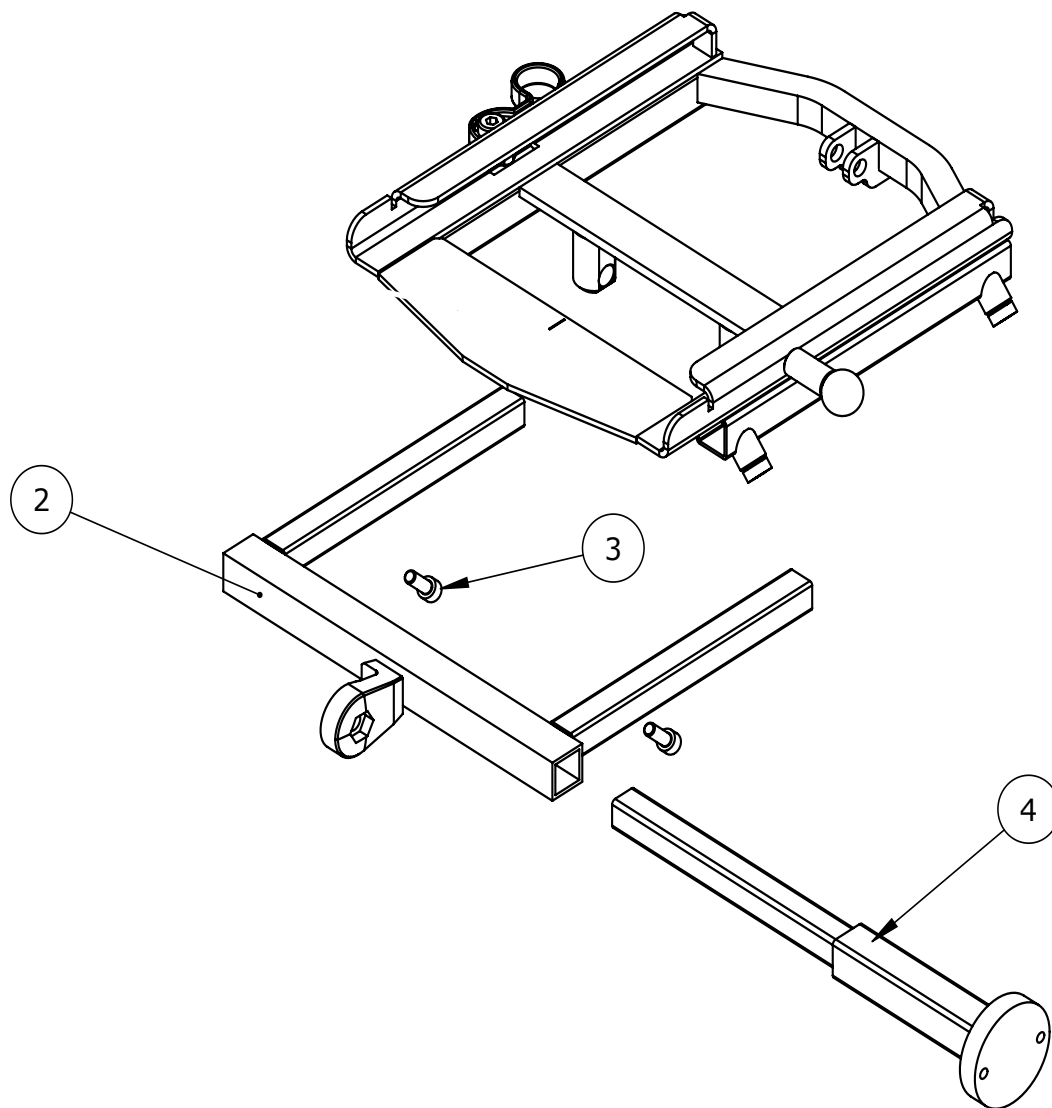
## Extra gas spring, to support height adjustment



**Item numbers for Extra gas spring, to support height adjustment (890001, 890002, 890003)**

Position	No.	Description	Quantity	Unit of Measure	Ean code
1	0603750	Insex M8x75, FZB	1	PCS	5707292138309
2	1103200	Fazet washer 8x16x1,5mm, FZB	4	PCS	5707292140296
3* (for above 25 kg) (for above 40 kg) (for above 50 kg)	2202815	Lift-o-Mat 150N	2	PCS	5707292912787
	2202830	Lift-o-Mat 300N	2	PCS	5707292912794
	2202850	Lift-o-Mat 500N	2	PCS	5707292912800
4	1607000	Lock nut 8mm, large pack	2	PCS	5707292141378
5	0603700	Insex screw 8x70	1	PCS	5707292138293
*choose size					

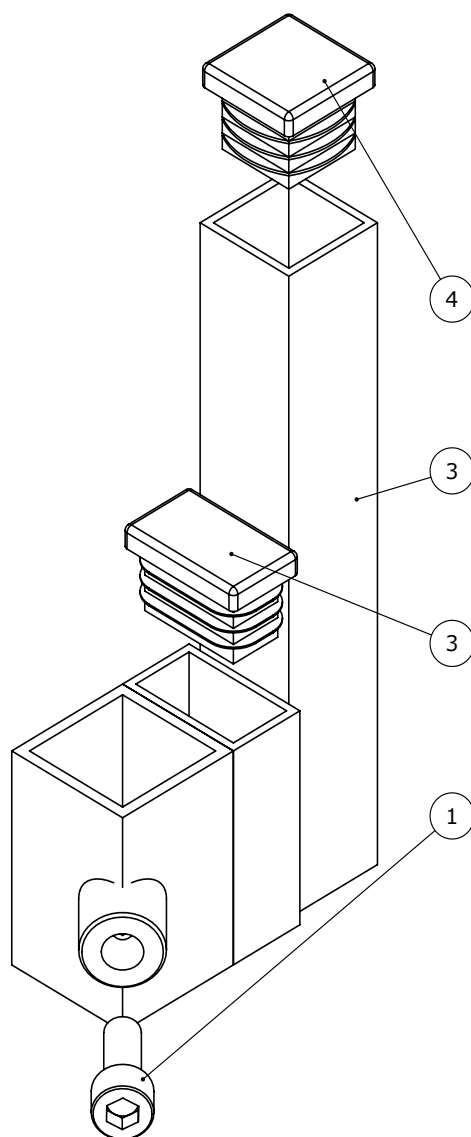
## Communication aid assembly



**Item numbers for Communication aid assembly (8910860)**

Position	No.	Description	Quantity	Unit of Measure	Ean code
2	139126	Communication aid bracket, size 2 footrest	1	PCS	5707292868701
3	0603530	Insex low head M8x16 stainless	2	PCS	5707292412492
4	138974	Communication Aid bracket	1	PCS	5707292845528

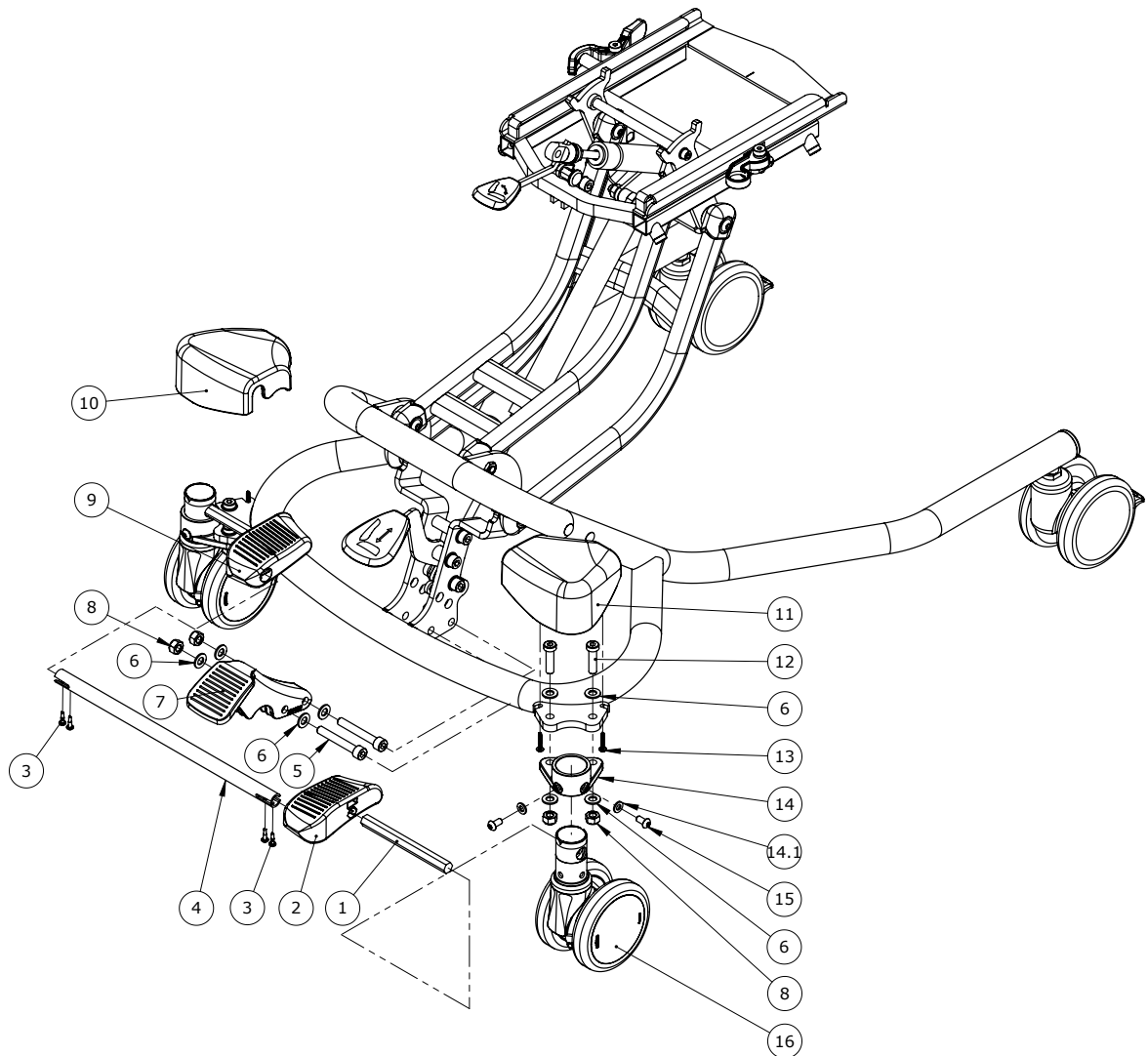
## Bracket for Ekstra high foot support



**Item numbers for Bracket for Ekstra high foot support (85135)**

Position	No.	Description	Quantity	Unit of Measure	Ean code
1	0602900	Insex screw 8x16	1	PCS	5707292138200
2	2506500	Ferrule fr25x15x1,0-2,0 int.b.	2	PCS	5707292144201
3	82415	Rest bracket	1	PCS	5707292359933

## Foot operated central brake kit, size 2 - 3, gas and power



Item numbers for Foot operated central brake kit, size 2 - 3, gas and power (890012-2)

Position	No.	Description	Quantity	Unit of Measure	Ean code
1	139809	Hexagon bar CB size 2	2	PCS	5707292911315
2	139041	Pedal for central brake R	1	PCS	5707292910844
3	1811200	Sheet metal screw 3,5x13 phx	4	PCS	5707292141712
4	138840	Tube for central brake	1	PCS	5707292911322
5	0603600	Insex screw 8x55	2	PCS	5707292138262
6	1103200	Fazet washer 8x16x1,5mm, FZB	12	PCS	5707292140296
7	139326	Tip support	1	PCS	5707292910868
8	1607000	Lock nut 8mm, large pack	6	PCS	5707292141378
9	139067	Pedal for central brake L	1	PCS	5707292910851
10	139871	Str.2/3 Central Brake Cover L	1	PCS	5707292910837
11	139814	Str.2/3 Central Brake Cover R	1	PCS	5707292910820
12	0603536	Insex lov head M8x30	4	PCS	5707292575326
13	0610620	screw ø3,5x20 DELTA PT A2	4	PCS	5707292903778
14	139818	Central brake adapter size 2	2	PCS	5707292910929
14.1	1105060	SS washer M6 6,4x12x1,6	4	PCS	5707292140357
15	0602193	Buttonhead - M6 x12, black	4	PCS	5707292900708
16	3006970	100mm dob.wheel w/central br	2	PCS	5707292877468