

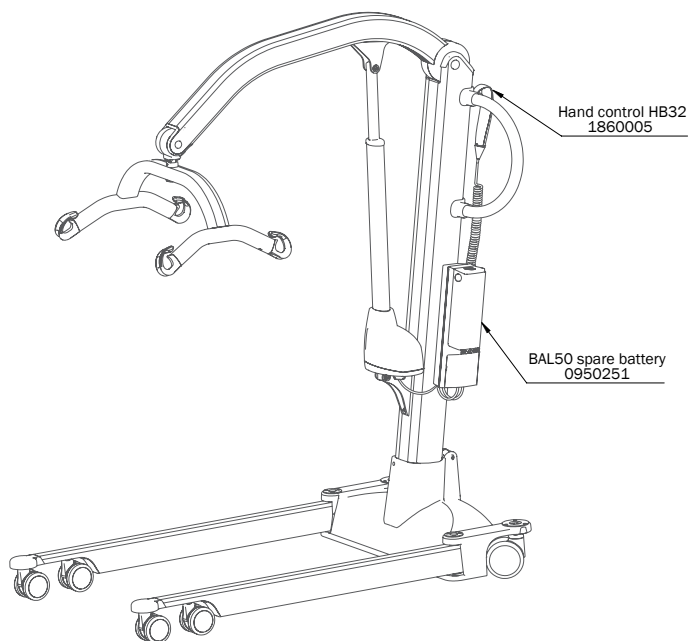


Spare part list – EN

Molift Mover 300

molift[®]
by Etac

SPL06301 - 2025-03-12 - Rev. 1.0



www.etac.com



Fig.1

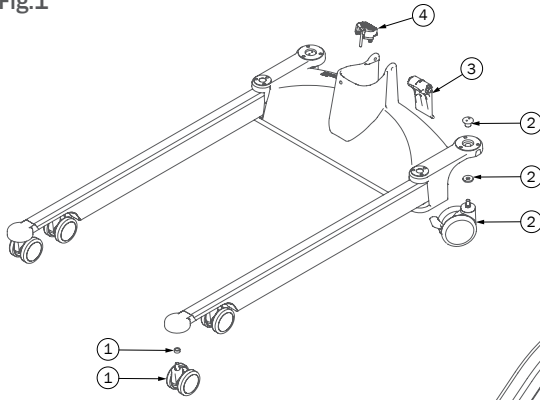


Fig.3

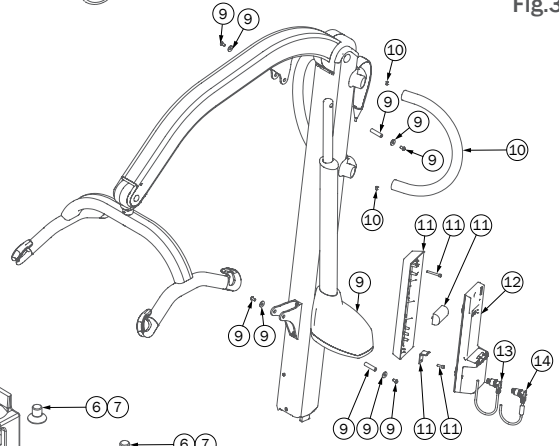


Fig.2

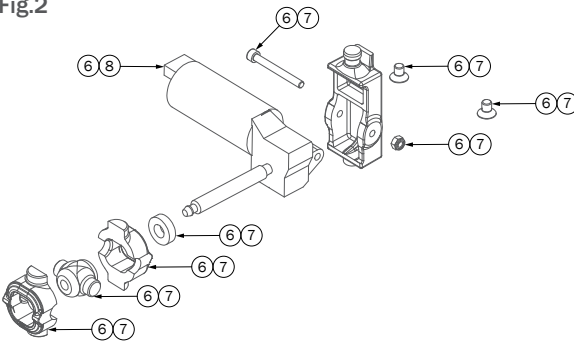


Fig.	Pos.	Title	Item no.
	1	Front wheel kit ø75 Mover 205/300/Partner	0950210
	2	Rear wheel ø100 w. brake Mover 205/300/Partner	0950211
1	3	Locking handle kit chassis Mover 205/300/Partner	0950249
	4	Chassis contact kit Mover 205/300/Partner	0950246
	5	Special tool Molift Smart/Mover (no illustration)	0920501
	6	Leg adjust mechanism repair kit with motor	1420540
2	7	Leg adjust mechanism repair kit without motor	1420530
	8	Motor, leg adjust mechanism	1320155
	9	Actuator kit Mover 300	0950231
	10	Spare handle kit Mover 205/300/Partner	0950239
	11	Control box COL50 mounting kit	0950247
3	12	COL50 control box	0950252
	13	CH1 COL50 cable	1860116
	14	CH2 COL50 cable	1860117
	15	Spare cable hand control HB32/HB31 (no illustration)	0950248

Fig.6

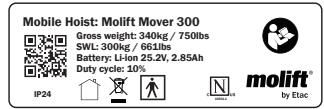


Fig.8

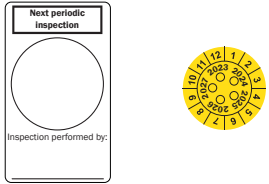


Fig.9



Fig.10



Fig.11

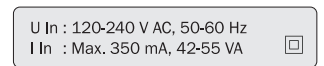


Fig.4

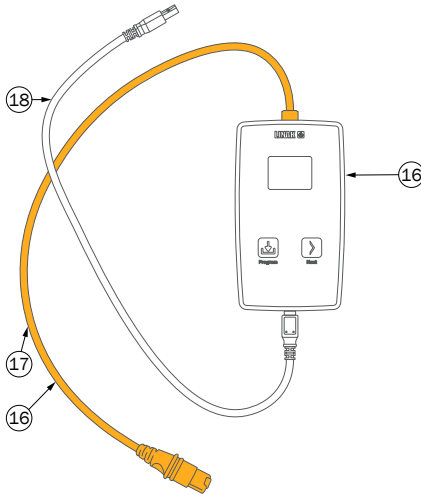


Fig.	Pos.	Title	Item no.
	16	Programming PB31 box for COL50 (only for service technician)	0950151
4	17	Spare cable for PB31 - COL50 (only for service technician)	0950152
	18	USB A to USB B cable 1M (only for service technician)	0950153
	19	Spiral cable USA plug (no illustration)	2920092
	20	Spiral cable EU plug (no illustration)	2920093
5	21	Spiral cable GB plug (no illustration)	2920094
	22	Spiral cable AU plug (no illustration)	2920095
6		Product label	1860111
7		Label Safety Check	1100303
8		Label Safety Check	1110306
9		Label Molift by Etac	0950128
10		Label charging instructions	0950123
11		Label COL50 electrical data	0950124



Etac Ltd.

Unit 60, Hartlebury Trading Estate,
Hartlebury, Kidderminster,
Worcestershire, DY10 4JB
+44 121 561 2222



Sodimed SA

Ch. Praz-Devant 12
CH-1032 Romanel-sur-Lausanne
+41 58 911 06 06



Etac A/S

Parallevej 3
DK-8751 Gedved



+45 796 858 33



patienthandling@etac.com



www.etac.com

molift[®]
by Etac