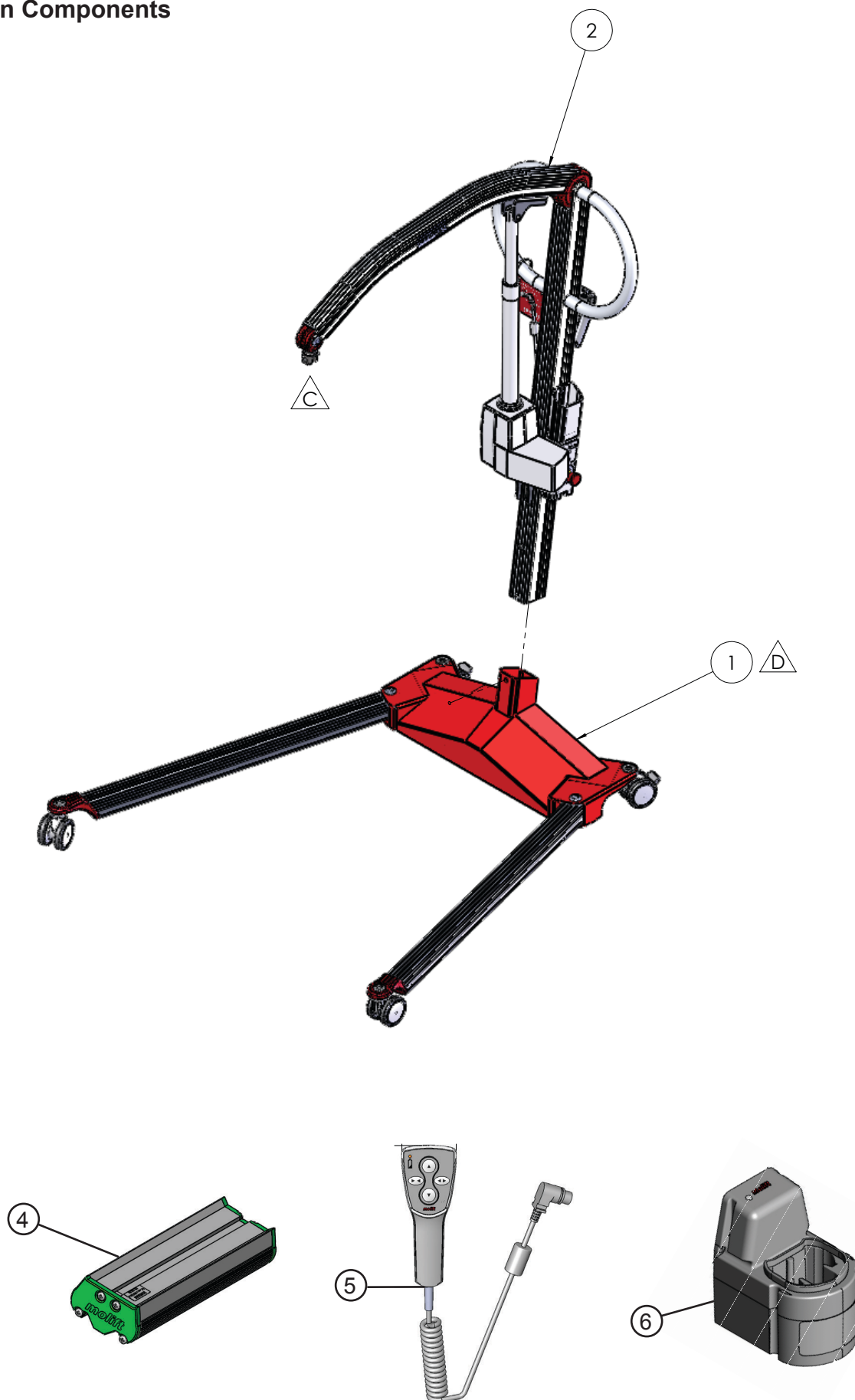


Appendix A

Pos.	Item no.	Qty.	Description
			Molift Mover 180
1	18200001	1	Chassis assy
2	1810001	1	Coloumn assy
3	1830001	2	2-pt suspension Large
	1830002		2-pt suspension Medium
	1830003		2-pt suspension Small
	1830011		4-pt suspension Medium
	1830010		4-pt suspension Large
4	0541000	1	Battery 14,4 V NiMH PowerPac
5	2018004	1	Hand Control 4 Buttons
6	1340100	1	Battery Charger

Main Components



Appendix B

	Item no.	Qty.	Description
1	1820021	1	Chassis welded
2	1320206	2	Screw DIN 7991
3	1320123	2	Washer, Nylon
4	1320122	1	Bolt
5	1320108	2	Wheel
6	1320116	2	Nut holder 1/2 part
7	1320114	1	Bracket Leg spreading P205/255
8	1320131	1	PUR ring
9	1320117	1	Nut spindle
10	0910151	2	Bolt for leg, Smart
11	1320150	1	Motor
12	1320118	1	Sviwel joint
13	1320208	1	Screw DIN 912
14	0228125	1	Nut, Lock DIN 985
15	1820058	1	Right leg assy
	0228125	1	Left leg assy (wheel Ø100)
	1820049	1	Right leg assy (wheel Ø100)
16	1101534	4	Screw ISO 7380
17	1120320	4	Washer DIN 9021 ø8,4xø24x2 Elzn
	0220121	4	Washer DIN 9021
18	1820024	1	Lower contact assy
19	1820025	2	Disc-Spring-SF-TAF-4256-DIN2093
20	0540508	1	Screw, Pan Head
21	0220122	4	Washer DIN 125
22	1820059	1	Left leg assy
23	0228138	1	Bushing bronze 5MM
24	1820040	1	Cardboard Box
25	1820041	1	Cardboard Inlay
26	0910158	2	Screw M6 Special
27	1310308	1	Label, Purchase no.
28	1320132	1	AMP-contact
29	1320133	1	AMP-cover
30	1420112	2	Cable contact
31	1820065	2	Safety Walk

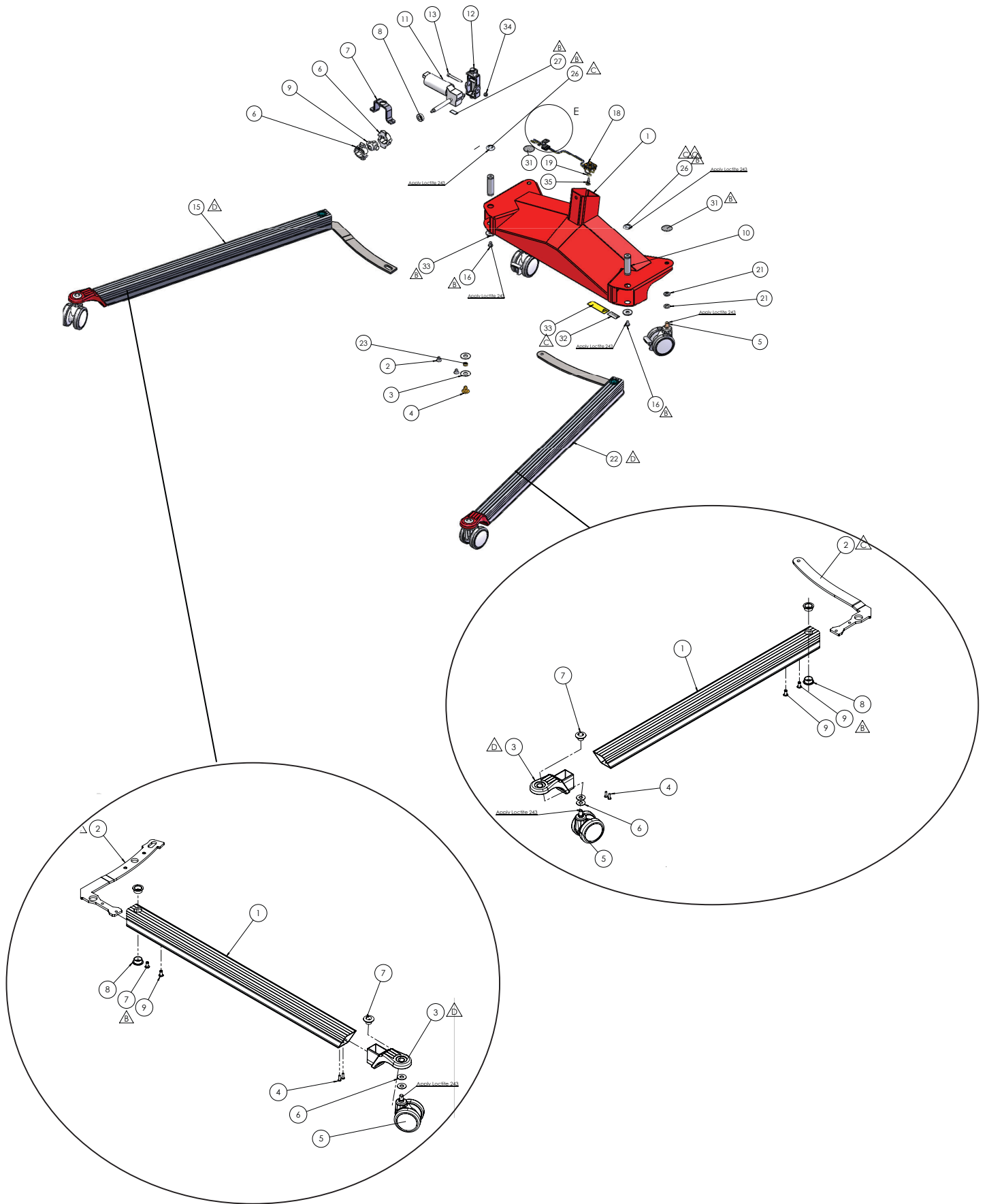
Left leg

2.1	1820055	1	Leg profile
2.2	1810057	1	Flat bar left
2.3	1820069	1	Wheel Bracket
2.4	0920212	2	Rivet Dowel 4,8X16 DIN7337 A2
2.5	0920107	1	Wheel Ø75
2.6	1120312	2	Fender washer
2.7	0910153	1	Nut, Special M10
2.8	0910180	2	Bushing, Flanged TFF 20115
2.9	1410118	2	Monobolt ø6,4x19

Right leg

3.1	1820055	1	Leg profile
3.2	1810056	1	Flat bar right
3.3	1820069	1	Wheel Bracket
3.4	0920212	2	Rivet Dowel 4,8X18 TIDA 4818TP
3.5	0920107	1	Wheel Ø75
3.6	1120312	2	Fender washer
3.7	0910153	1	Nut, Special M10
3.8	0910180	2	Bushing, Flanged TFF 20115
3.9	1410118	2	Monobolt ø6,4x19

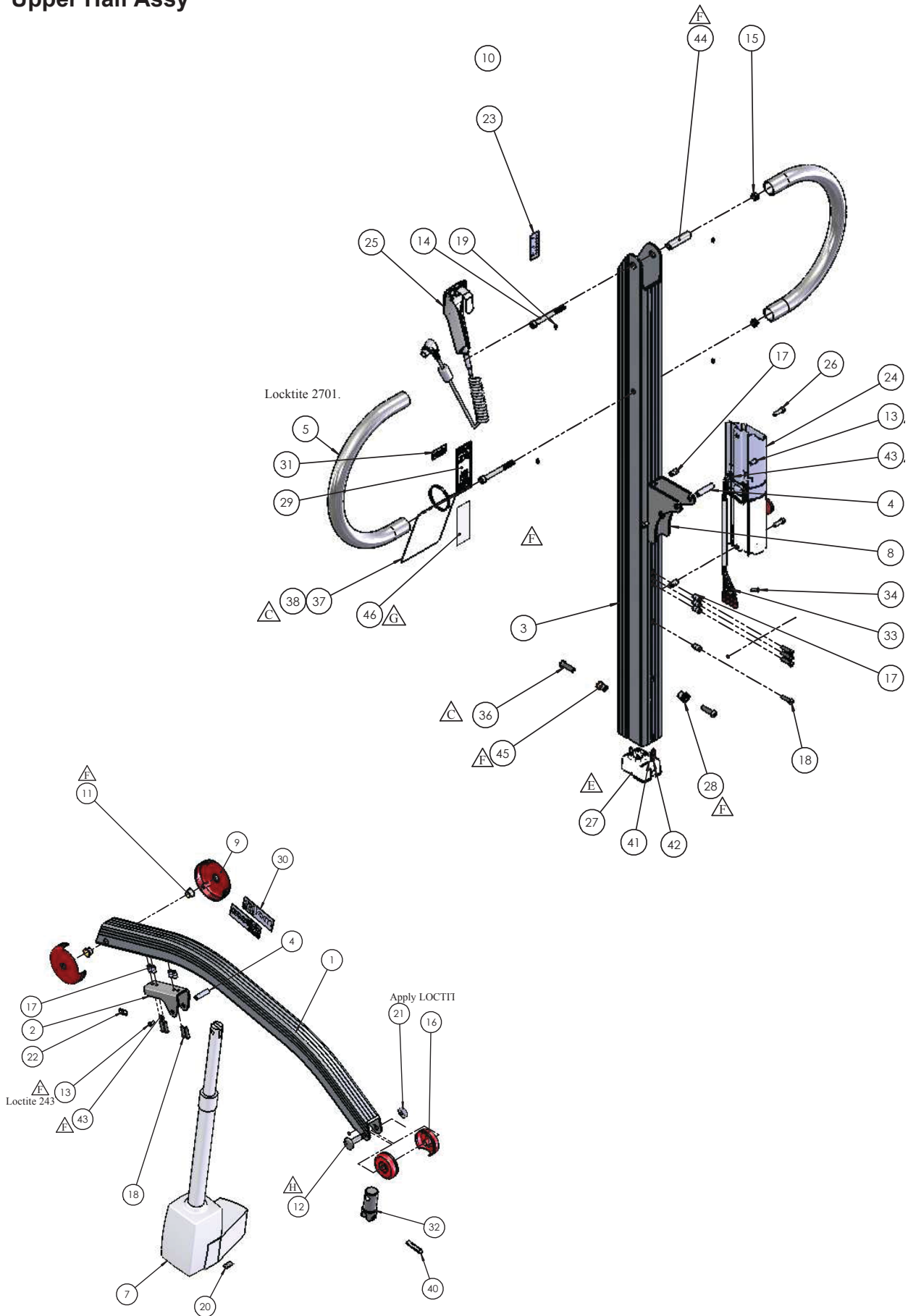
Chassis and Legs



Appendix C

	Item no.	Qty.	Description
1	0910124	1	Lifting arm for Linak LA 34
2	1820028	1	Motor Bracket Upper
3	1820011	1	Column
4	0910159	2	Bolt For Actuator
5	0910107	2	Drive handle, Smart/205
6	1820030	2	Push bar sleeve
7	0920115	1	Actuator LA34
8	1820029	1	Motor bracket lower
9	0910197	2	Plastic cover arm/column Smart
10	1220339	1	Pop-Rivet DIN7337 ø4x16 Al/st.
11	0910181	2	Bearing, Flanged PAF 25115-P10
12	0910136	1	Bolt w/head
13	2150404	4	Screw, Buttonhead
14	0920201	2	Screw DIN 912
15	1150414	2	Nut, Lock DIN 985
16	0910196	2	Plastic cover, arm/susp, Smart
17	0920216	10	Rivet Nut
18	0920202	8	Screw ISO 7380
19	0232103	4	Spirol Pin
20	1310306	1	Label, Art. Nr. Brady 25,4x12,7
21	0910158	1	M6 Special Screw
22	1820014	1	Label, SWL 180 kg
23	0210305	1	Label: Slinglabel (XXS-XXL)
24	1820060	1	Battery Support Mover 180
25	2018004	1	Handcontrol, 4 button
26	0220120	2	Screw DIN 912 8.8 ELZN
27	1820020	1	Upper contact assy.
28	1820018	1	Rivet Nut
29	1820016	1	Label
30	1820015	2	Label Molift Mover 180
31	0421135	1	Decal: ID,no
32	1820017	1	Fork bolt
33	0920119	1	Wire Anchorage 6,4mm 55-022-16
34	0540508	1	Screw DIN7981C
35	1820019	1	EI diagram Mover 180
36	1101535	2	Pan head screw ISO 7380
37	0920011	1	Product tag
38	0910012	1	Strips natural
39	1120505	1	Allen Key Hexagon Socket
40	1810010	1	QR-Bolt
41	1820063	1	Cable Connector Male
42	1410135	1	Cable Connector Female
43	0220121	4	Washer
44	0910160	1	Sleeve for Column Smart
45	1820064	1	Rivet Nut Countersunk
46	1100303	1	Periodic control label

Upper Half Assy



Appendix D

2 Point Suspension Small

	Item no.	Qty.	Description
1	1820035	1	Suspension Nut Machined
2	1820038	2	Set Screw
3	1820037	2	Flange bearing
4	1820036	1	Bolt
5	0228125	2	Lock nut
6	1410140	2	Composite Hook Suspension
7	1410152	1	Mid Profile 340
8	1431011	2	Set screw M4x6 DIN 914
9	1820014	1	Safe working load
10	1310306	1	Art. and ID. no

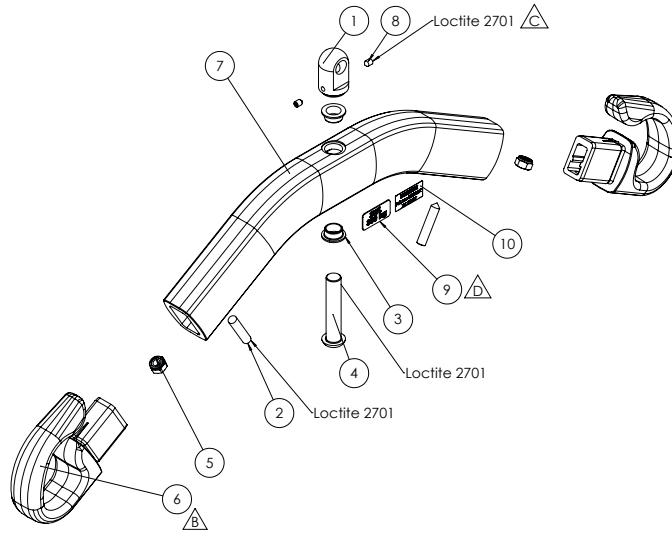
2 Point Suspension Medium

	Item no.	Qty.	Description
1	1820035	1	Suspension Nut Machined
2	1820038	2	Set Screw
3	1820037	2	Flange bearing
4	1820036	1	Bolt
5	0228125	2	Lock nut
6	1410140	2	Composite Hook Suspension
7	1410151	1	Mid Profile 440
8	1431011	2	Screw, Set DIN 914
9	1820014	1	Safe working load 180 kg label
10	1310306	1	Art. and ID. no

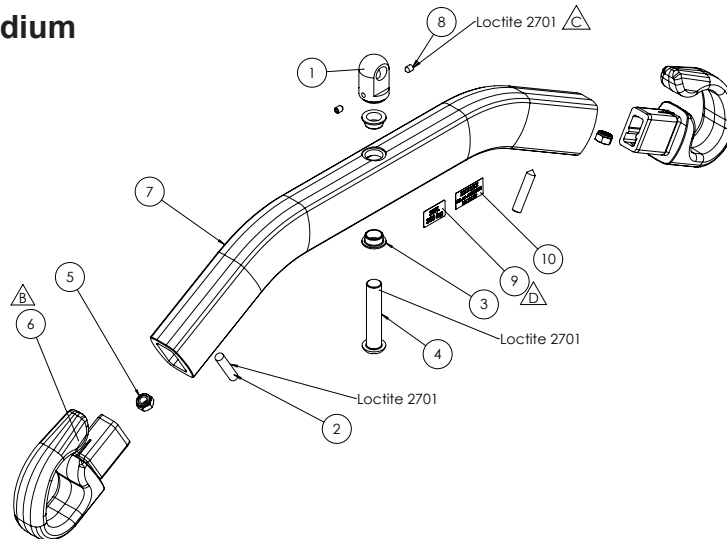
2 Point Suspension Large

	Item no.	Qty.	Description
1	1410150	1	Mid profile 540 2-pt Suspension
2	1820035	1	Suspension bolt
3	1820036	1	Bolt
4	1820037	2	Flange bearing
5	1820038	2	Set screw
6	0228125	2	Nut, Lock M6
7	1410140	2	Hook
8	1431011	2	Set screw M4x6
9	1820014	1	Safe Working Load 180 kg label
10	1310306	1	Art. and ID. no

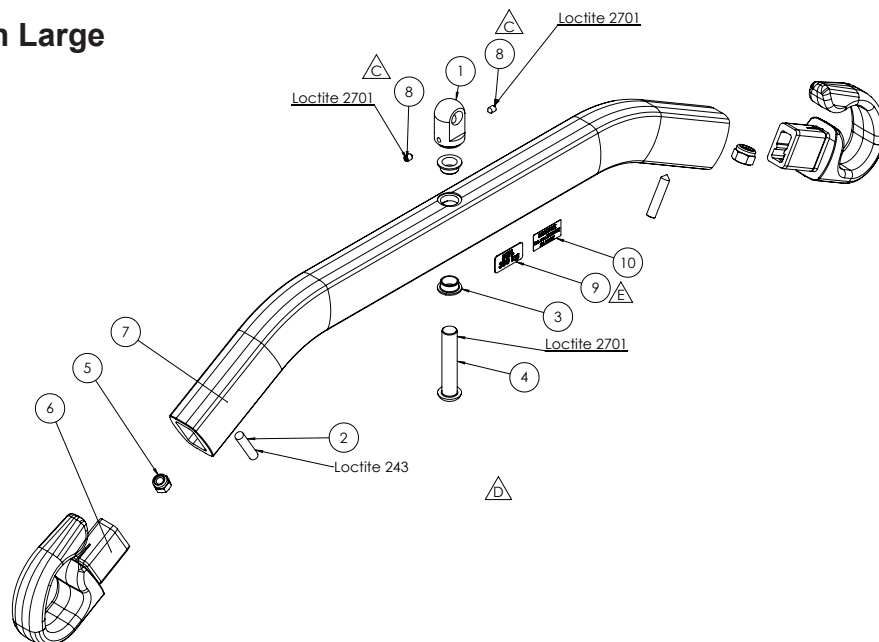
2 Point Suspension Small



2 Point Suspension Medium



2 Point Suspension Large



Appendix E

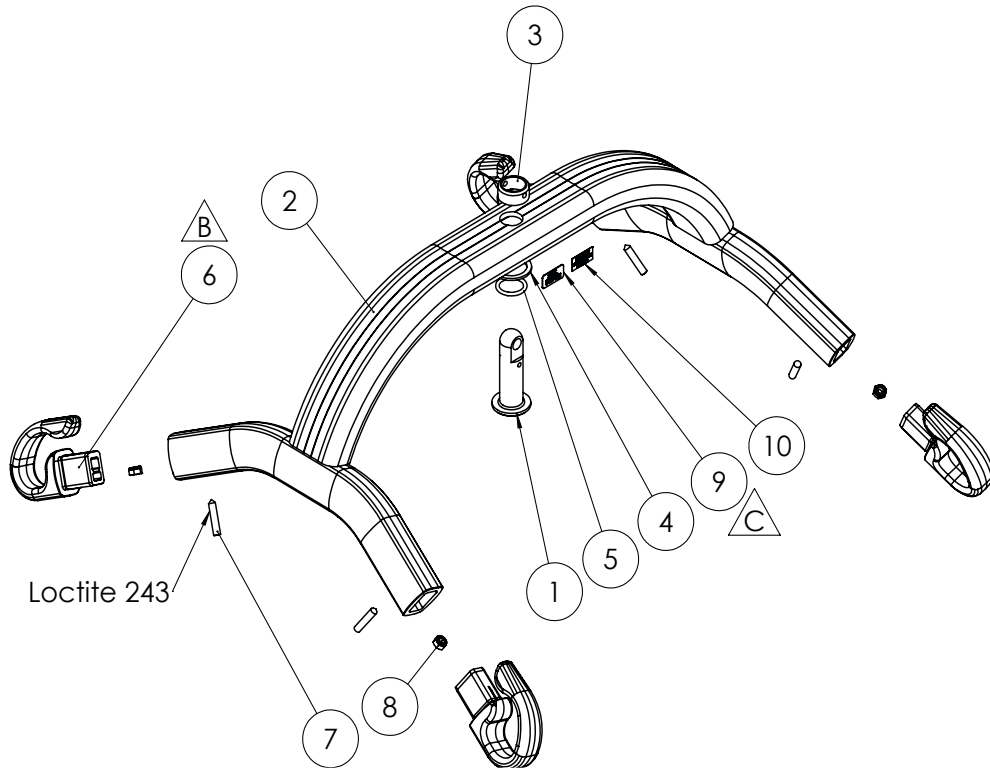
4 Point Suspension Large

1	1820042	1	Bolt
2	1410142	1	Suspension welded
3	1820043	1	Cover
4	1820044	1	Ring
5	1820045	1	O-ring
6	1410139	4	Composite hook suspension
7	1820038	4	Set Screw ISO 4027 M6x30 N
8	0228125	4	Nut, Lock DIN 985 M6 Elzn
9	1820014	1	Safe Working Load 180kg label
10	1310306	1	Art. and ID.no
11	0210119	1	Spring Pin DIN 1481 4 x 26

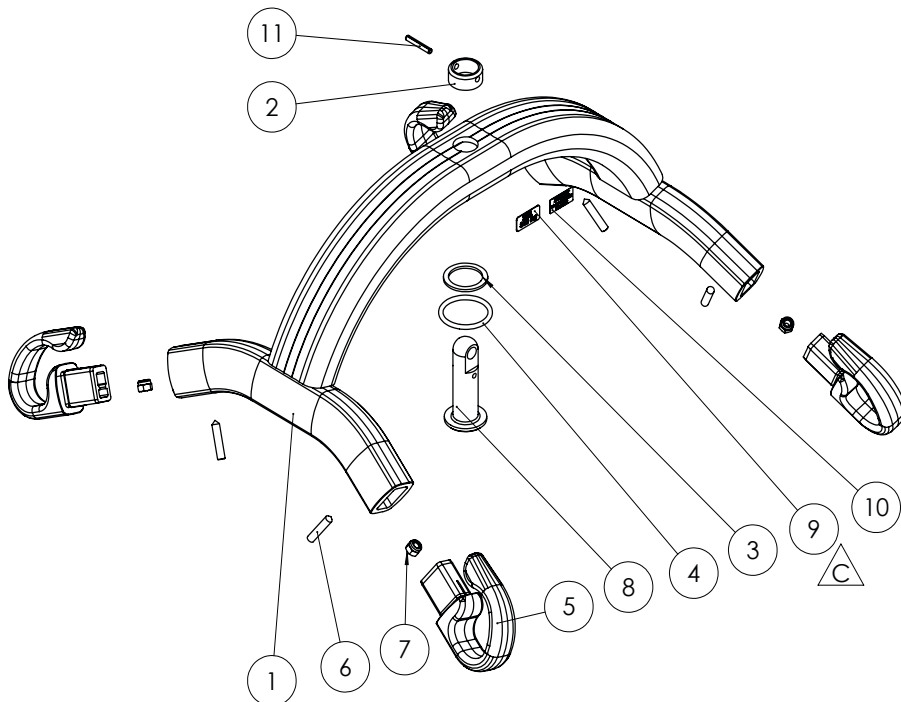
4 Point Suspension Medium

1	1410141	1	Suspension welded
2	1820043	1	Cover
3	1820044	1	Ring
4	1820045	1	O-ring
5	1410140	4	Composite hook suspension
6	1820038	4	Set Screw
7	0228125	4	Lock Nut
8	1820042	1	Bolt
9	1820014	1	Safe Working Load 180kg label
10	1310306	1	Art. and ID.no
11	0210119	1	Spring Pin

4 pkt suspension large w coupling



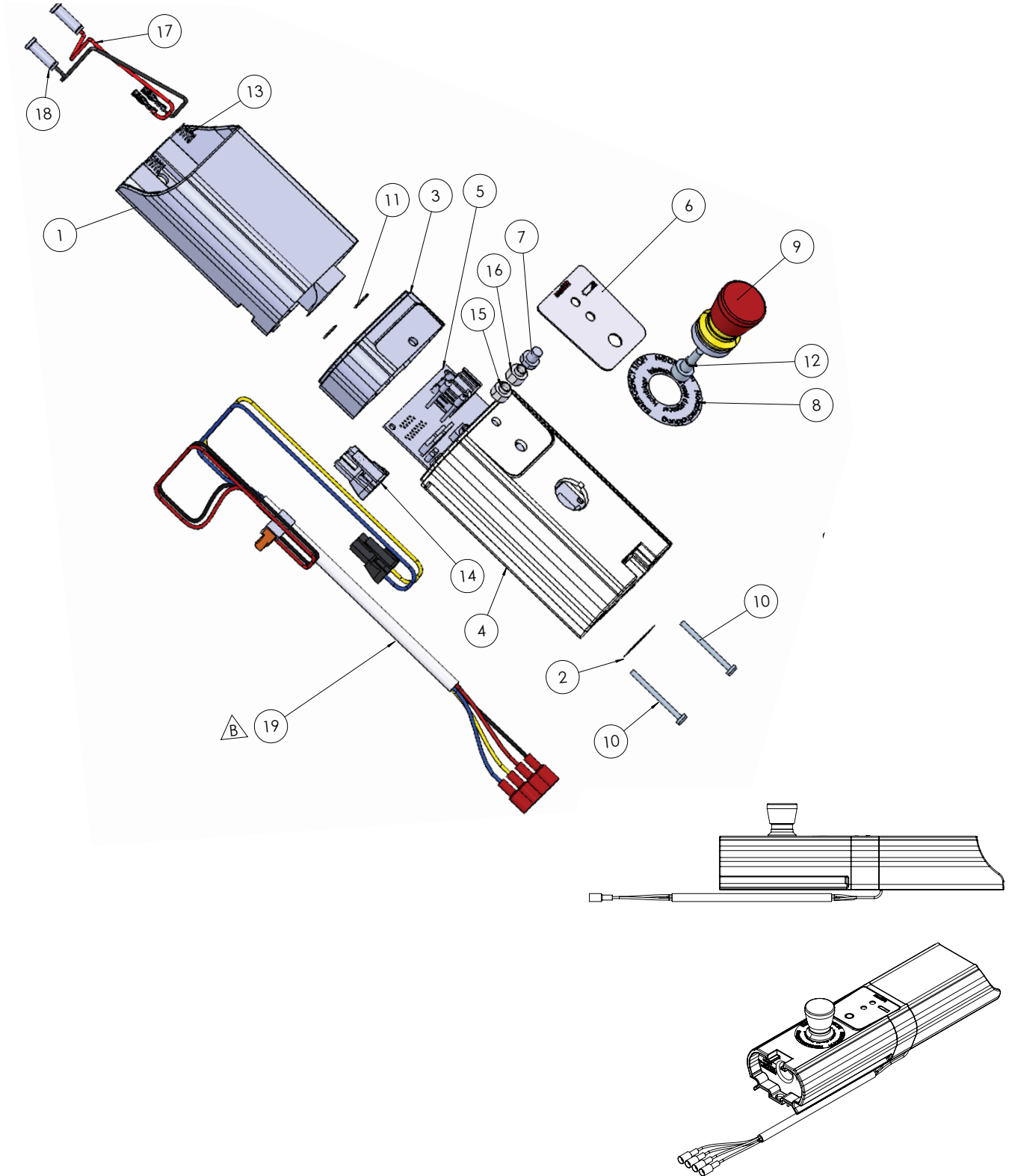
4 pkt suspension medium w coupling



Appendix F

	Item no.	Qty.	Description
1	0920063	1	Upper mould battery support
2	1310308	1	Label, Purchase no.
3	0920064	1	Middle mould battery support
4	0920065	1	Lower mould battery support
5	1320112	1	Main PCB
6	1310122	1	Membraenpanel
7	1310136	1	Mec Cap
8	0220307	1	Label emergency stop
9	0920114	1	Emergency switch
10	0920066	2	Plastic screw
11	0920094	2	Circlip DIN 6799
12	0920067	1	Emergency stop extender
13	0920068	2	Spring battery probes
14	0920069	1	Molex plug
15	0920077	1	Mec extender, 6mm
16	0920079	1	Mec extender, 7mm
17	0920092	1	Battery cable red (+)
18	0920093	1	Battery cable black (-)
19	1820061	1	Cable harness Mover 180

Battery Support



Appendix G

	Item no.	Qty.	Description
1	1431007	1	Scale MHS 2500 Charder
2	1820066	1	Top Fork
3	1820067	1	Twin Fork
4	1820068	2	Bolt
5	1810010	1	QR-axle M180 ø10-30
6	1431011	2	Set Screw M4x6

Scale Set

