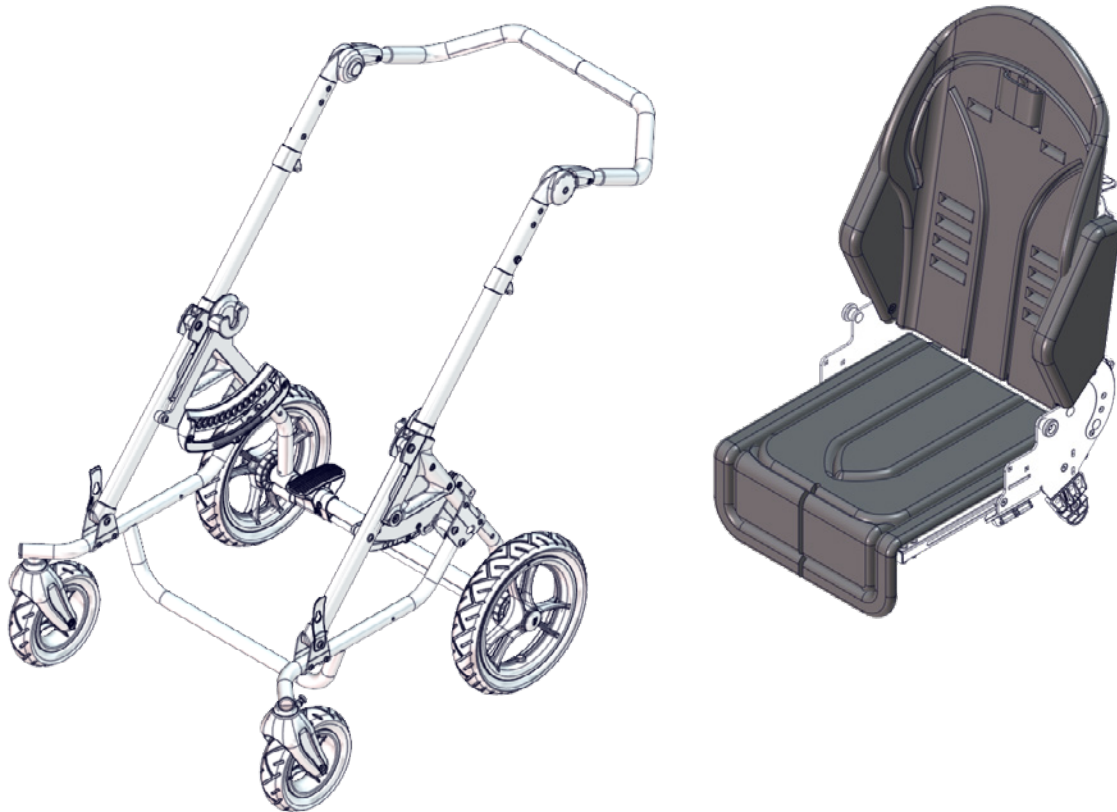


Chilla

Exploded views / Part lists

Rev. date (2024.04)

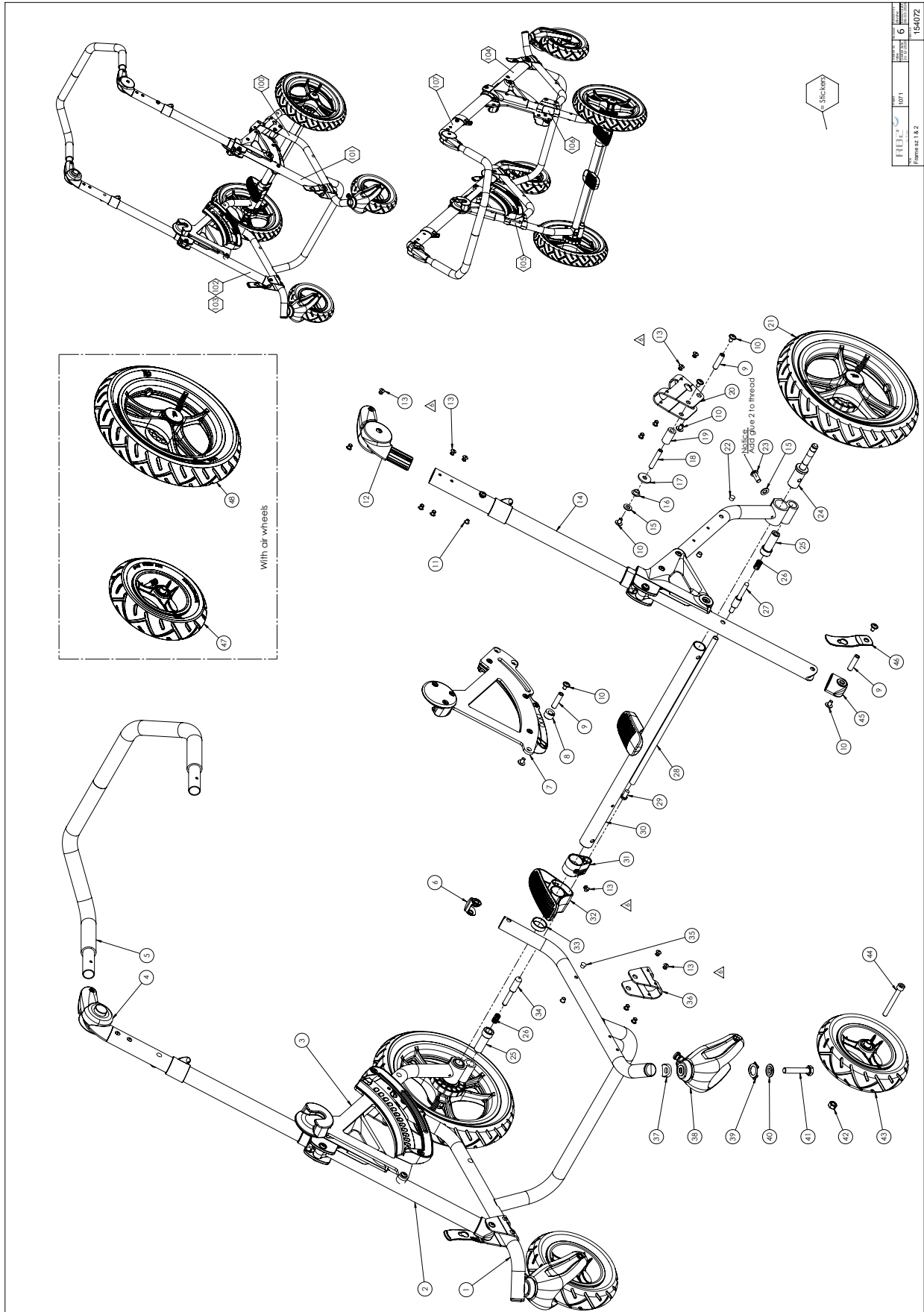
On the following pages you will find the parts used to assemble this product. Please note that some spare parts cannot be purchased individually but are part of a complete kit. Please also note that for some spare parts extra delivery time may occur.



Contents

Chilla size 1+2.....	3
Item numbers for Chilla size 1+2.....	4
Chilla size 1+2 with suspension	6
Item numbers for Chilla size 1+2 with suspension.....	7
Chilla accessories	9
Item numbers for Chilla accessories.....	10
Chilla Seat accessories.....	11
Item numbers for Chilla Seat accessories.....	12
Head support assembly	14
Item numbers for Head support assembly	15

Chilla size 1+2



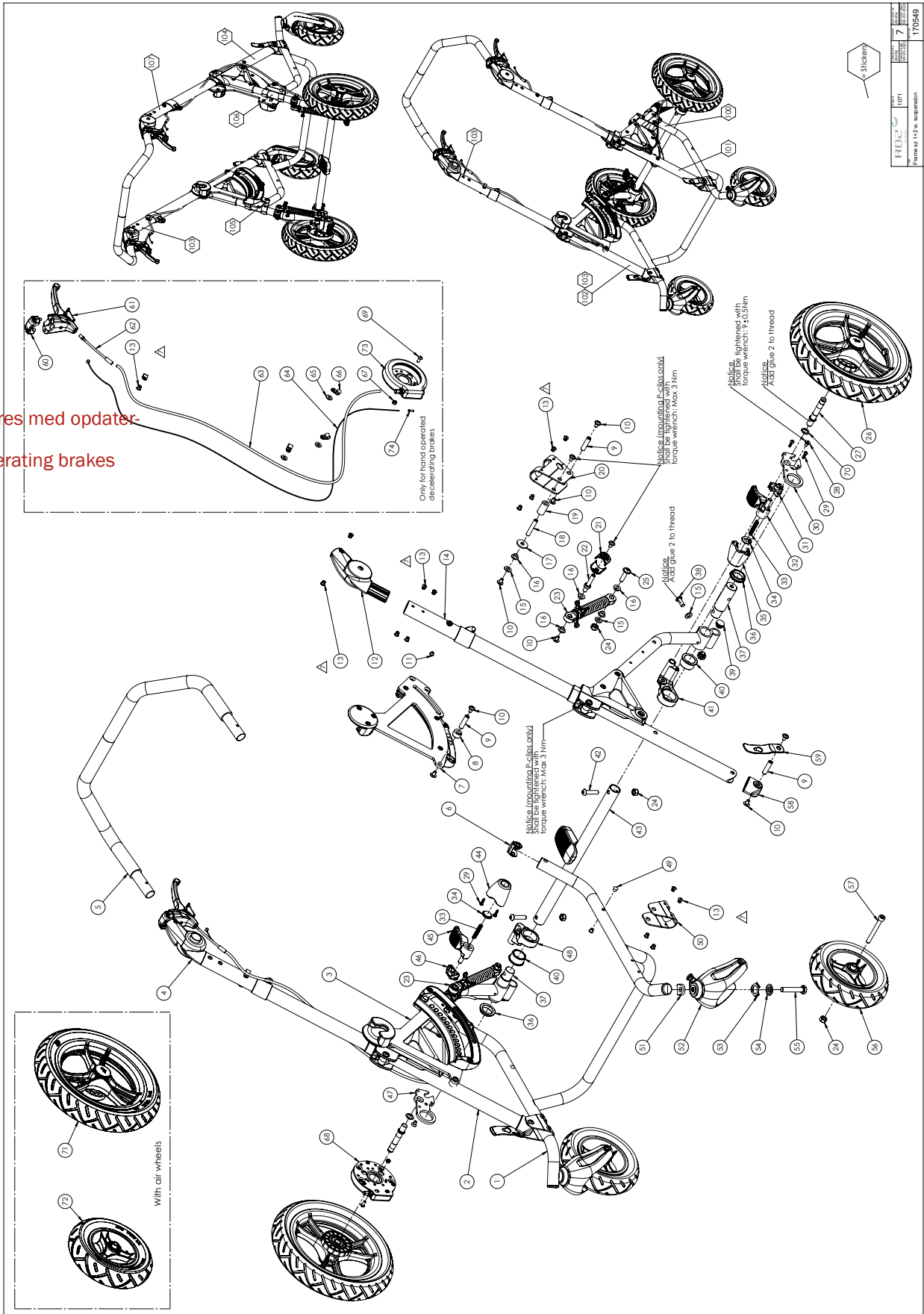
Item numbers for Chilla size 1+2

Position	No.	Description	Quantity	Unit of Measure	Ean code
1*	163550	Base frame assy sz 1	1	PCS	5707292983213
	161962	Base frame assy sz 2	1	PCS	5707292983220
2	170299	Right side module assy	1	PCS	5707292981806
3	156664	Triangle module R	1	PCS	5707292981820
4	H31090-R	Angle joint, Right	1	PCS	5707292981196
5*	158037	Handbrace assy sz 1	1	PCS	5707292981837
	154073	Handbrace assy sz 2	1	PCS	5707292981844
6	155525	end plug w. saddle washer	2	PCS	5707292958730
7	153039	Triangle module L	1	PCS	5707292981813
8	150043	Bushing	2	PCS	5707292958815
9	156153	Thread bush	6	PCS	5707292958853
10	0602186	M6x10 Button head with flange	16	PCS	5707292981592
11	2501411	Sort blindprop	2	PCS	5707292987679
12	H31090-L	Angle joint, Left	1	PCS	5707292981172
13	0506525	Blind rivet	29	PCS	5707292979162
14	150313	Left side module assy	1	PCS	5707292981790
15	1105080	Stainless washer 8mm	4	PCS	5707292140364
16	158747	washer 8x10x14x6	2	PCS	5707292958860
17	1310705	Nylon washer,white,Ø25x8,4x2,5	2	PCS	5707292140791
18	150759	Thread slide bushing	2	PCS	5707292958839
19	1357511	Bushing long	2	PCS	5707292982537
20	150039	Rear connection bracket	2	PCS	5707292958631
21	3005071	Ø290,wheel PUR w/Quick Release	2	PCS	5707292985385
22	2501408	Black blind ferrule	4	PCS	5707292143921
23	0662000	Button head screw 8x20 stainl.	2	PCS	5707292139573
24	152860	Shaft for rear wheels	2	PCS	5707292959041
25	151078	Bush for brake	2	PCS	5707292958969
26	159538	SS - Spring wheel lock	2	PCS	5707292958990
27	151131	shaft for brake L	1	PCS	5707292958976
28*	157972	Central brake pipe sz 1	1	PCS	5707292959003
	154079	Central brake pipe sz 2	1	PCS	5707292959010
29	151136	plug for break	1	PCS	5707292959027
30*	163752	Rear axle w. curb tipper sz 1	1	PCS	5707292981851
	163749	Rear axle w. curb tipper sz 2	1	PCS	5707292981868
31	151124	Brake axle suspension	1	PCS	5707292958952
32	151111	Foot break	1	PCS	5707292958938
33	151126	Spacer	1	PCS	5707292958945
34	150023	shaft for brake	1	PCS	5707292958983
35	1310530	Covering plug,black Ø7 mm	4	PCS	5707292987938
36	149971	Front connection bracket	2	PCS	5707292958723
37	155523	Saddle washer	2	PCS	5707292959034
38	2965160	Frontfork 200 mm	2	PCS	5707292928207
39	6108150	Spring washer 29,57x17,48	2	PCS	5707292378200
40	151742	Bush for finger spring	2	PCS	5707292921390
41	1908060	Steel bolt M10x55	2	PCS	5707292983268
42	1607000	Lock nut 8mm, large pack	2	PCS	5707292141378

* Choose size / color

Position	No.	Description	Quantity	Unit of Measure	Ean code
43	3009501	190x50 solid racing	2	PCS	5707292483362
44	0603700	Insex screw 8x70	2	PCS	5707292138293
45	150037	End plug	2	PCS	5707292958518
46	152394	Lock hinge	2	PCS	5707292958846
47*	3009500	190x50 air racing	2	PCS	5707292483355
48*	3005051	Ø290,wheel AIR w/QR - PA6 GF15	2	PCS	5707292985378
100*	0494615	Size 1 - Silver	1	PCS	5707292921628
	0494616	Size 2 - Silver	1	PCS	5707292921635
101	0494614	R82 by Etac logo - Silver	1	PCS	5707292921611
102	0493400	Label termo,3M 7872,50x24	2	PCS	5707292136855
103	0493405	Clear wheel label-silverlabels	2	PCS	5707292546760
104	0494660	Chilla	1	PCS	5707292983237
105	0492057	Transport allowed/not allowed	1	PCS	5707292987327
106	0494661	ISO M002 Refer to instruction	1	PCS	5707292989321
107	0494664	QR code Chilla	1	PCS	5707292989352
* Choose size / color					

Chilla size 1+2 with suspension



Skal opdateres med opdatering af decelerating brakes

Item numbers for Chilla size 1+2 with suspension

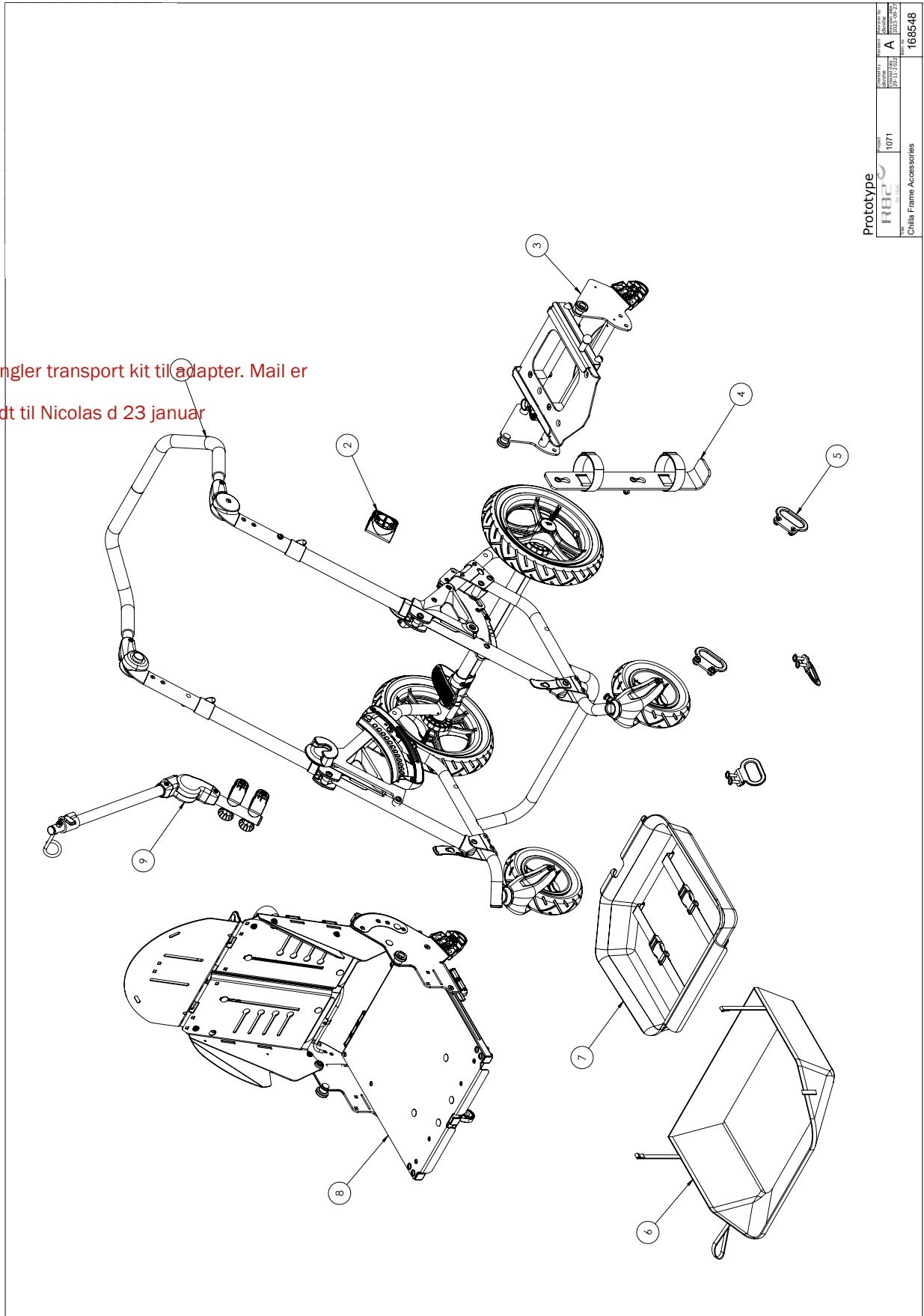
Position	No.	Description	Quantity	Unit of Measure	Ean code
1*	163550	Base frame assy sz 1	1	PCS	5707292983213
	161962	Base frame assy sz 2	1	PCS	5707292983220
2	170299	Right side module assy	1	PCS	5707292981806
3	156664	Triangle module R	1	PCS	5707292981820
4	H31090-R	Angle joint, Right	1	PCS	5707292981196
5*	158037	Handbrace assy sz 1	1	PCS	5707292981837
	154073	Handbrace assy sz 2	1	PCS	5707292981844
6	155525	end plug w. saddle washer	2	PCS	5707292958730
7	153039	Triangle module L	1	PCS	5707292981813
8	150043	Bushing	2	PCS	5707292958815
9	156153	Thread bush	6	PCS	5707292958853
10	0602186	M6x10 Button head with flange	20	PCS	5707292981592
11	2501411	Sort blindprop	2	PCS	5707292987679
12	H31090-L	Angle joint, Left	1	PCS	5707292981172
13	0506525	Blind rivet	28	PCS	5707292979162
14	150313	Left side module assy	1	PCS	5707292981790
15	1105080	Stainless washer 8mm	6	PCS	5707292140364
16	158747	washer 8x10x14x6	10	PCS	5707292958860
17	1310705	Nylon washer,white,Ø25x8,4x2,5	2	PCS	5707292140791
18	150759	Thread slide bushing	2	PCS	5707292958839
19	1357511	Bushing long	2	PCS	5707292982537
20	150039	Rear connection bracket	2	PCS	5707292958631
21	152340	Clamp for suspension	4	PCS	5707292959096
22	152348	Shaft for suspension	2	PCS	5707292959102
23*	170882	Damper suspension sz 1	2	PCS	5707292983664
	160331	Damper suspension sz 2	2	PCS	5707292983657
24	1607000	Lock nut 8mm, large pack	6	PCS	5707292141378
25	0663032	B.h. W/collar 8x30 zn/fe&black	2	PCS	5707292361288
26	3005071	Ø290,wheel PUR w/Quick Release	2	PCS	5707292985385
27	76032	Axle for rear wheel support	2	PCS	5707292481375
28	0609760	Stainless insex 6x10 uh,w tuf	2	PCS	5707292570796
29	1940007	Eco syn 4x16 torx	4	PCS	5707292520593
30	152477	Suspension bracket for brace,L	1	PCS	5707292959089
31	76146	Bottom left, for brake	1	PCS	5707292491749
32	114304	Pedal left for brake	1	PCS	5707292605047
33	0308713	Stainless spring 1,0x6x40mmx17	2	PCS	5707292502032
34	76144	Cover for spring, brake	2	PCS	5707292491657
35	76148	House left, for brake	1	PCS	5707292491787
36	152563	Bushing for suspension	2	PCS	5707292959065
37	152482	Wheel bushing	2	PCS	5707292959058
38	0662000	Button head screw 8x20 stainl.	2	PCS	5707292139573
39	2502521	Tube leg black 18mm	2	PCS	5707292987921
40	160006	Bushing for suspension	2	PCS	5707292959072
41	159655	Rear suspension left	1	PCS	5707292981769
42	0663035	Button head screw 8x35 stainl.	2	PCS	5707292139627

* Choose size / color

Position	No.	Description	Quantity	Unit of Measure	Ean code
43*	163813	Susp. axle w. curb tipper sz 1	1	PCS	5707292981875
	163769	Susp. axle w. curb tipper sz 2	1	PCS	5707292981882
44	76143	House right, for brake	1	PCS	5707292491633
45	114300	Pedal right for brake	1	PCS	5707292605030
46	76141	Bottom right, brake	1	PCS	5707292491589
47	166600	Suspension bracket for brace,R	1	PCS	5707292976383
48	160019	Rear suspension right	1	PCS	5707292981776
49	1310530	Covering plug,black Ø7 mm	4	PCS	5707292987938
50	149971	Front connection bracket	2	PCS	5707292958723
51	155523	Saddle washer	2	PCS	5707292959034
52	2965160	Frontfork 200 mm	2	PCS	5707292928207
53	6108150	Spring washer 29,57x17,48	2	PCS	5707292378200
54	151742	Bush for finger spring	2	PCS	5707292921390
55	1908060	Steel bolt M10x55	2	PCS	5707292983268
56	3009501	190x50 solid racing	2	PCS	5707292483362
57	0603700	Insex screw 8x70	2	PCS	5707292138293
58	150037	End plug	2	PCS	5707292958518
59	152394	Lock hinge	2	PCS	5707292958846
60	3503536	Clamp w/screws	2	PCS	5707292427762
61	3503543	Brake driving lever,Black/Grey	2	PCS	5707292611512
62	0380060	Flexible v-brake pipe.	2	PCS	5707292425195
63	5002751	Cable for brake, size 3+4	2	PCS	5707292413642
64	0371853	Strained wires 1,5mm 190 cm.	2	PCS	5707292135889
65	1102905	Washer 1/4" 6,7/14/1,5 A4	6	PCS	5707292516350
66	166615	P-clips	8	PCS	5707292976390
67	1606300	Lock nut 5 mm	2	PCS	5707292141354
68	2983077	Band Brake system	2	PCS	5707292971449
69	0658012	Button head M5x12 FZB	2	PCS	5707292139382
70	0683900	Tight-washer 12x18x1	2	PCS	5707292139726
71	3005051	Ø290,wheel AIR w/QR - PA6 GF15	2	PCS	5707292985378
72	3009500	190x50 air racing	2	PCS	5707292483355
100*	0494615	Size 1 - Silver	1	PCS	5707292921628
	0494616	Size 2 - Silver	1	PCS	5707292921635
101	0494614	R82 by Etac logo - Silver	1	PCS	5707292921611
102	0493400	Label termo,3M 7872,50x24	2	PCS	5707292136855
103	0493405	Clear wheel label-silverlabels	2	PCS	5707292546760
104	0494660	Chilla	1	PCS	5707292983237
105	0492057	Transport allowed/not allowed	2	PCS	5707292987327
106	0494661	ISO M002 Refer to instruction	1	PCS	5707292989321
107	0494664	QR code Chilla	1	PCS	5707292989352
* Choose size / color					

Chilla accessories

,mangler transport kit til adapter. Mail er sendt til Nicolas d 23 januar

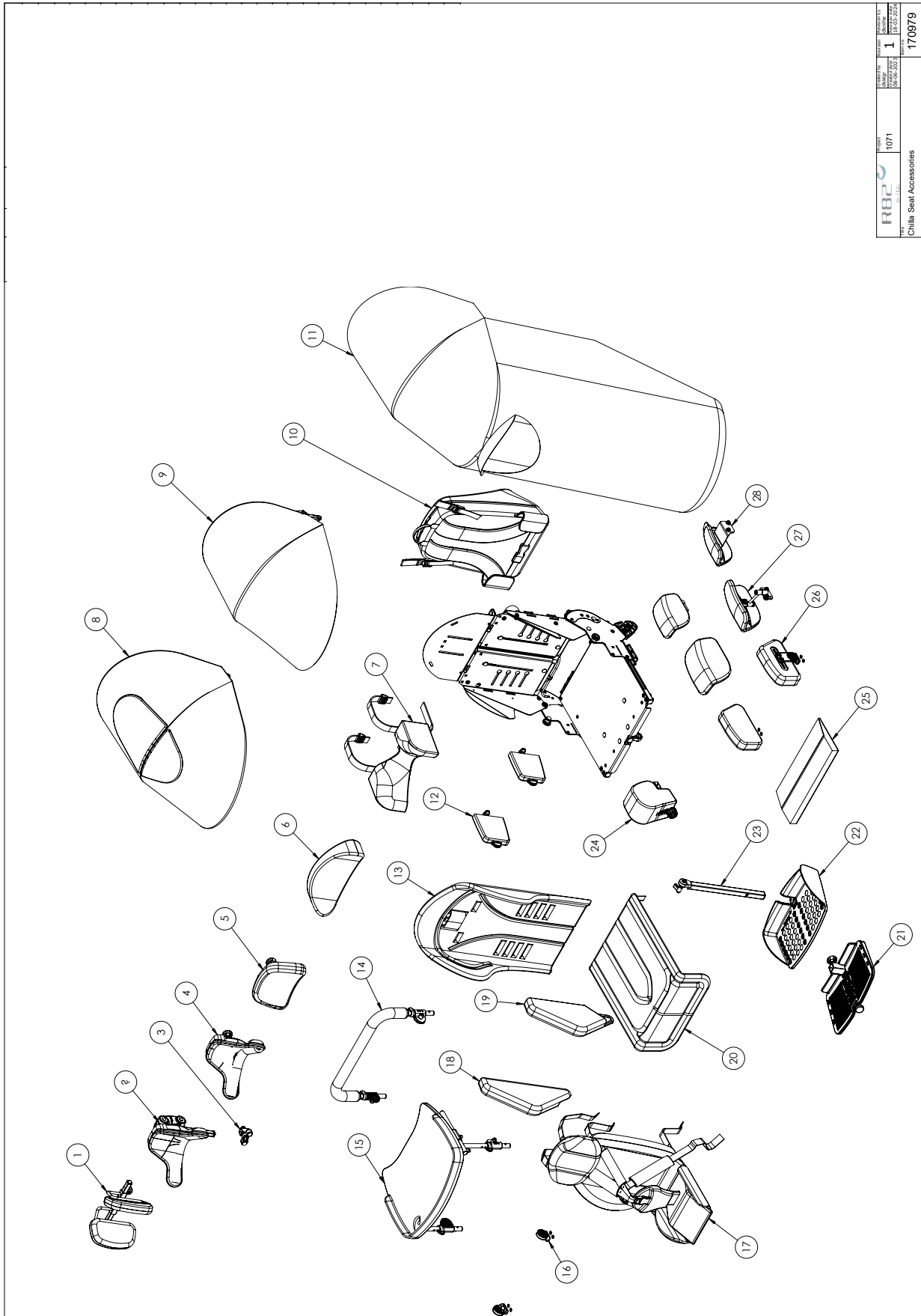


Prototype R82 Chilla Frame Accessories		MODEL NO. 1071	REVISION NO. A	DATE 2012-09-27	PART NO. 168548
---	--	-------------------	-------------------	--------------------	--------------------

Item numbers for Chilla accessories

Position	No.	Description	Quantity	Unit of Measure	Ean code
1*	881111100	Chilla s1 solid	1	PCS	5707292975003
	881111110	Chilla s1 solid susp.	1	PCS	5707292975027
	881111120	Chilla s1 solid susp. HB	1	PCS	5707292975041
	881111200	Chilla s1 air	1	PCS	5707292975065
	881111210	Chilla s1 air susp.	1	PCS	5707292975089
	881111220	Chilla s1 air susp. HB	1	PCS	5707292975102
	881121100	Chilla s2 solid	1	PCS	5707292975126
	881121110	Chilla s2 solid susp.	1	PCS	5707292975140
	881121120	Chilla s2 solid susp. HB	1	PCS	5707292975164
	881121200	Chilla s2 air	1	PCS	5707292975188
	881121210	Chilla s2 air susp.	1	PCS	5707292975201
	881121220	Chilla s2 air susp. HB	1	PCS	5707292975225
2	881099	Bracket f. com. aid	1	PCS	5707292986719
3	881091	Adaptor for seat mounting	1	PCS	5707292987716
4	881096	Oxygen bottle holder	1	PCS	5707292986696
5	881090	Transport fitting Chilla	1	PCS	5707292986665
6	881092	Shopping bag - Fabric	1	PCS	5707292986672
7	881095	Medical tray	1	PCS	5707292986689
8*	881012	Chilla Seat s1	1	PCS	5707292977922
	881022	Chilla Seat s2	1	PCS	5707292977946
9	881097	Holder for IV pole	1	PCS	5707292986702
* Choose size / color					

Chilla Seat accessories



R82	1071	1	170979
Chilla Seat Accessories			

Item numbers for Chilla Seat accessories

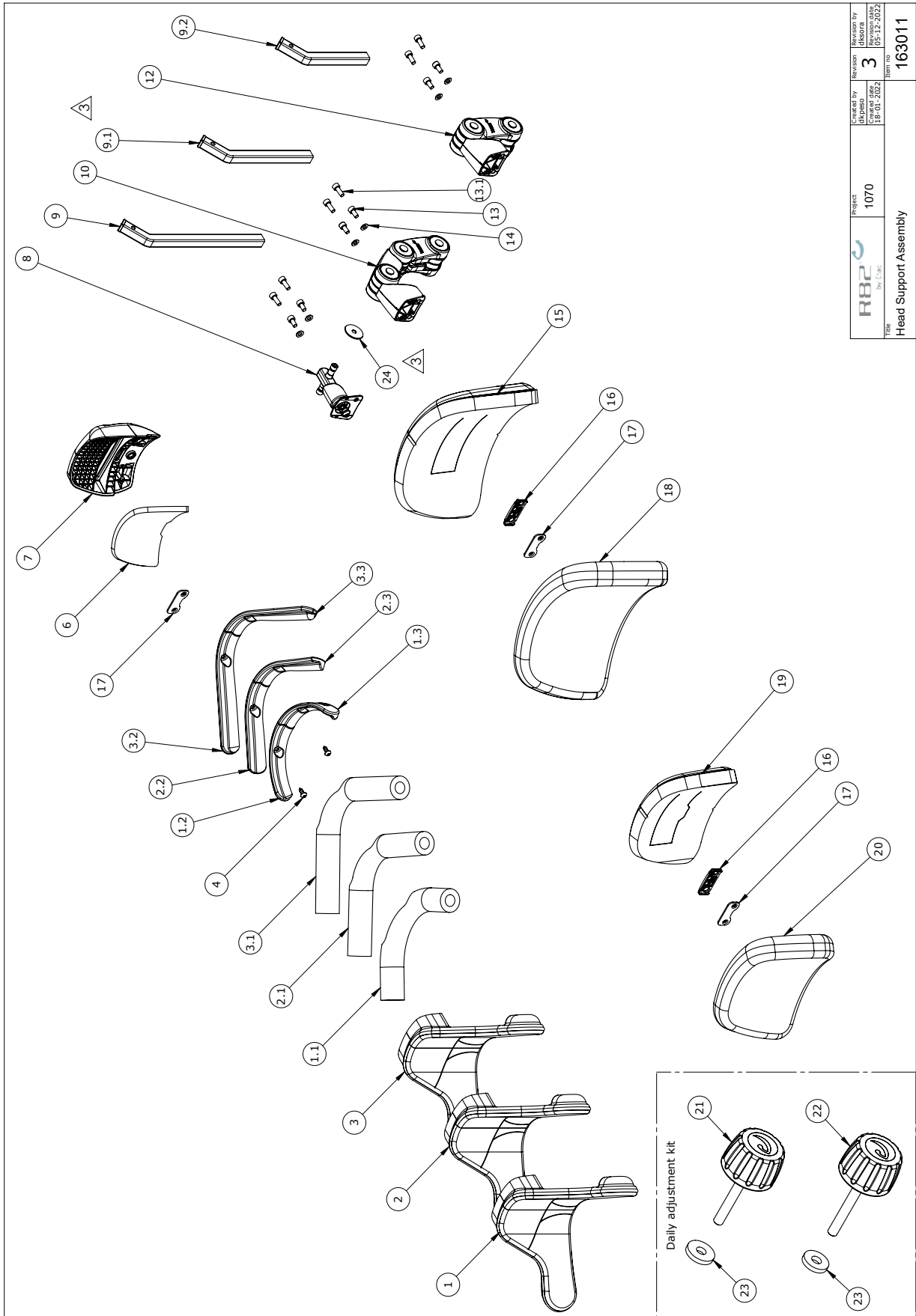
Position	No.	Description	Quantity	Unit of Measure	Ean code
1	874083	Two-parted head sup. one s	1	PCS	5707292986252
2	N/A	see "Head support assembly" on page 14	N/A	N/A	N/A
3	881098	Brack. f. head sup.	1	PCS	5707292987891
4*	874085-1	Anat. head sup. S	1	PCS	5707292986290
	874085-2	Anat. head sup. M	1	PCS	5707292986429
5	874086	Curv head sup. s1	1	PCS	5707292986436
6*	874082-1	Head sup. cushion s1	1	PCS	5707292990013
	874082-2	Head sup. cushion s2	1	PCS	5707292990020
7*	874084-1	Sculpted head sup. s1	1	PCS	5707292986276
	874084-2	Sculpted head sup. s2	1	PCS	5707292986283
8*	881080-30	Canopy prem. s1 Incl. holder	1	PCS	5707292986641
	881080-40	Canopy prem. s2 Incl. holder	1	PCS	5707292986658
9*	881080-10	Canopy std. s1 Incl. holder	1	PCS	5707292986627
	881080-20	Canopy std. s2 Incl. holder	1	PCS	5707292986634
10*	881093-1	Rain cov. s1 Canopy req.	1	PCS	5707292989956
	881093-2	Rain cov. s2 Canopy req.	1	PCS	5707292989963
11*	881012	Chilla Seat s1	1	PCS	5707292977922
	881022	Chilla Seat s2	1	PCS	5707292977946
12*	881030-1	Side sup. 100x100	2	PCS	5707292986450
	881030-2	Side sup. 135x125	2	PCS	5707292986467
	881030-3	Side sup. 150x150	2	PCS	5707292986474
13*	881111-10	Back cush. s1 0Pink Chilla	1	PCS	5707292982841
	881111-40	Back cush. s1 0Blue Chilla	1	PCS	5707292982858
	881111-50	Back cush. s1 0Red Chilla	1	PCS	5707292982865
	881111-60	Back cush. s1 0Grey Chilla	1	PCS	5707292982872
	881121-40	Back cush. s2 0Blue Chilla	1	PCS	5707292982940
	881121-50	Back cush. s2 0Red Chilla	1	PCS	5707292982957
	881121-60	Back cush. s2 0Grey Chilla	1	PCS	5707292982964
	881112-45	Back cush. s1 Mesh Blue Chilla	1	PCS	5707292983015
	881112-55	Back cush. s1 Mesh Red Chilla	1	PCS	5707292983022
	881112-65	Back cush. s1 Mesh Grey Chilla	1	PCS	5707292983039
	881122-45	Back cush. s2 Mesh Blue Chilla	1	PCS	5707292983091
	881122-55	Back cush. s2 Mesh Red Chilla	1	PCS	5707292983107
881122-65	Back cush. s2 Mesh Grey Chilla	1	PCS	5707292983114	
14*	881070-1	Grip bar s1	1	PCS	5707292986597
	881070-2	Grip bar s2	1	PCS	5707292986603
15	881071	Tray for Chilla s1 & s2	1	PCS	5707292986610
16	881060	Attachm. f. grip bar & tray	2	PCS	5707292986580
17*	881001-10	Infant cush. Pink Chilla	1	PCS	5707292983152
	881001-20	Infant cush. Light blue Chilla	1	PCS	5707292983169
	881001-80	Infant cush. Black Chilla	1	PCS	5707292990198
18/19*	881111	Cov. f. back sides s1	1	PCS	5707292990532
	881112	Cov. f. back sides s2	1	PCS	5707292990549

* Choose size / color

Position	No.	Description	Quantity	Unit of Measure	Ean code
20*	881211-10	Seat cush. s1 0Pink Chilla	1	PCS	5707292982896
	881211-40	Seat cush. s1 0Blue Chilla	1	PCS	5707292982919
	881211-50	Seat cush. s1 0Red Chilla	1	PCS	5707292982926
	881211-60	Seat cush. s1 0Grey Chilla	1	PCS	5707292982933
	881221-40	Seat cush. s2 0Blue Chilla	1	PCS	5707292982988
	881221-50	Seat cush. s2 0Red Chilla	1	PCS	5707292982995
	881221-60	Seat cush. s2 0Grey Chilla	1	PCS	5707292983008
	881212-45	Seat cush. s1 Mesh Blue Chilla	1	PCS	5707292983060
	881212-55	Seat cush. s1 Mesh Red Chilla	1	PCS	5707292983077
	881212-65	Seat cush. s1 Mesh Grey Chilla	1	PCS	5707292983084
	881222-45	Seat cush. s2 Mesh Blue Chilla	1	PCS	5707292983121
	881222-55	Seat cush. s2 Mesh Red Chilla	1	PCS	5707292983138
	881222-65	Seat cush. s2 Mesh Grey Chilla	1	PCS	5707292983145
21*	95145-1	Footplate model Wombat s.1	1	PCS	5707292331113
	95145-2	Footplate model Wombat s.2	1	PCS	5707292331120
	95145-3	Footplate model Wombat s.3	1	PCS	5707292398833
22*	881055	Foot sup. w. edge short holder	1	PCS	5707292986573
	881056	Foot sup. w. edge long holder	1	PCS	5707292987815
23*	881050-1	Single rod f. foot sup. L:190	1	PCS	5707292986559
	881050-2	Single rod f. foot sup. L:280 Ang. adj.	1	PCS	5707292986566
24*	881044-1	Pommel 60x116x190 / s1 QR	1	PCS	5707292986528
	881044-2	Pommel 60x160x190 / s2 QR	1	PCS	5707292986542
25	8720405	Wedge for seat pit	1	PCS	5707292896797
26*	881043-1	Outer knee sup. s1	1	PCS	5707292985200
	881043-2	Outer knee sup. s2	1	PCS	5707292985217
27*	881033-1	Hip sup. Multi adj. s1	1	PCS	5707292986504
	881033-2	Hip sup. Multi adj. s2	1	PCS	5707292986511
28*	881023-1	Hip sup. Fix. s1	1	PCS	5707292986481
	881023-2	Hip sup. Fix. s2	1	PCS	5707292986498

* Choose size / color

Head support assembly



 R82 by Etac	Project	1070	Created by	dkp/ren	Revision by	dkp/ren
	Item	Head Support Assembly	18-01-2022	18-01-2022	3	15-12-2021
			Item no	163011		

Item numbers for Head support assembly

Position	No.	Description		Quantity	Unit of Measure	Ean code
1*	151109-80	Cover anat.head sup.240x130	Cover Indurance	1	PCS	5707292960689
	151109-70	Cover anat.head sup.240x130	Cover Indurance	1	PCS	5707292960672
1.1	6175202	Foam tube anat. headsup. s.1		1	PCS	5707292436405
1.2	71451	Neck support left size 1		1	PCS	5707292415998
1.3	71452	Neck support right size 1		1	PCS	5707292416001
2*	153073-70	Cover anat.head sup.260x130	Cover Indurance	1	PCS	5707292960696
	153073-80	Cover anat.head sup.260x130	Cover Ipanima	1	PCS	5707292960702
2.1	6175206	Foam tube anat. headsup. s.2		1	PCS	5707292436429
2.2	71453	Neck support left size 2		1	PCS	5707292416018
2.3	71454	Neck support right size 2		1	PCS	5707292416025
3*	153074-70	Cover anat.head sup.320x130	Cover Indurance	1	PCS	5707292960719
	153074-80	Cover anat.head sup.320x130	Cover Ipanima	1	PCS	5707292960726
3.1	6175204	Foam pipe f. anatomic headrest	Size 3	1	PCS	5707292436412
3.2	71455	Neck support left size 3		1	PCS	5707292416032
3.3	71456	Neck support right size 3		1	PCS	5707292416049
4	1940027	Ecosyn phx 5x14 Torx FZB	M5x14-pn-fzb-torx	2	PCS	5707292577818
6	5502647	Udsk.neopren t/ana.hovedst.	Anatomisk hovedstøtte	1	PCS	5707292418142
6+7	5700262	Oplime basisplade hovedstøtte	Anatomisk hovedstøtte	1	PCS	5707292964373
7	153812	Anatomic Headrest plate		1	PCS	5707292949424
8	138876	3D Head Support mount	for headrest	1	PCS	5707292946102
9	167362	Turtle bar long		1	PCS	5707292971081
9.1	167361	Turtle bar Medium		1	PCS	5707292971098
9.2	167360	Turtle bar short		1	PCS	5707292971104
10	149416	Turtle bar system extended		1	PCS	5707292960399
12	149371	Turtle bar system standard	For Headrest	1	PCS	5707292964687
13	0602190	Insex screw 6x12		2	PCS	5707292138088
13.1	0602200	Insex screw 6x16		2	PCS	5707292138095
14x	1103000	Fazet washer 6mm		2	PCS	5707292140289
	1103000	Fazet washer 6mm		2	PCS	5707292140289
15	158271	Curved head supp.	H:160xW:260	1	PCS	5707292964984
16	149635	Base for double nut		1	PCS	5707292949431
17	139536	Double nut M6 - L34		1	PCS	5707292935779
18*	153446-70	Cover Head support size260x160	Indurance	1	PCS	5707292960597
	153446-80	Cover Head support size260x160	Black Ipanima	1	PCS	5707292960603
19	158279	Curved head supp.	H:130xW:180	1	PCS	5707292964977
20*	153445-80	Cover Head support size180x130	Black Ipanima	1	PCS	5707292960580
	153445-70	Cover Head support size180x130	Indurance	1	PCS	5707292960573
21	149393	R82 handle M6 x 40		1	PCS	5707292960450
22	149402	R82 handle M6 x 45		1	PCS	5707292960443
23	1125618	Screenwasher fz6x18x3mm		2	PCS	5707292140494
24	138215	Washer 6x30x1,5 black		1	PCS	5707292940544
MODUL	5099021	Curved hovedstøtte str.1		1	PCS	5707292964519
MODUL	5099022	Curved hovedstøtte str.2		1	PCS	5707292964526
MODUL	5099023	Anatomisk hovedstøtte str.3		1	PCS	5707292964533

* Choose size / color