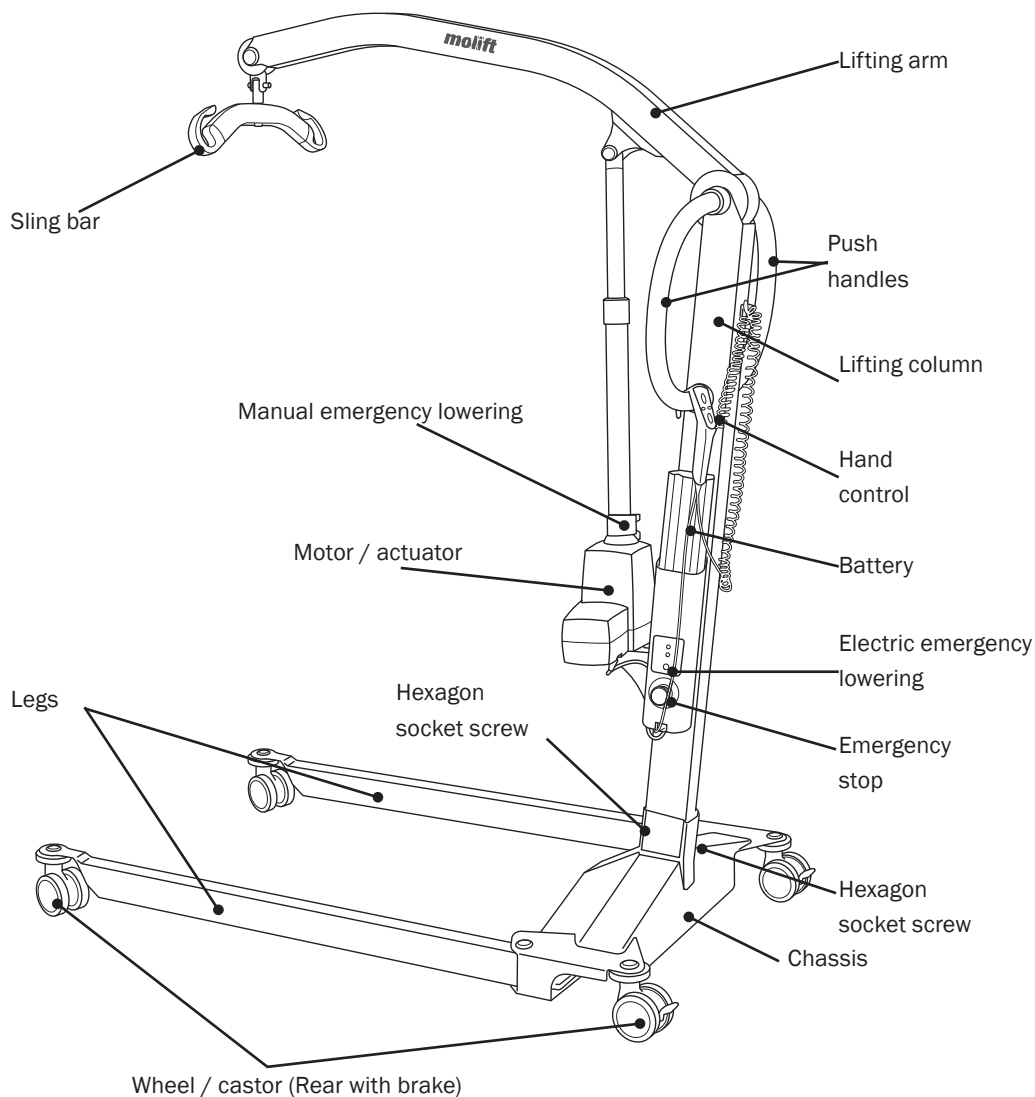



Molift Mover 180




Quick guide (EN)

QG08101 Rev B 2022.10.17



Service indicator 	Mode
No light	Power saving (Stand by)
Green	Ready for use
Yellow	Order service
Red	Perform service
Red + sound	Perform service immediately

Battery indicator 	Mode
Light	Low battery
No light	Charged battery

Important



Read user manual before use! This Quick guide does not replace user manual. It is important to fully understand the content of the user manual before attempting to use the equipment. Go to www.etac.com for latest version of the user manual.

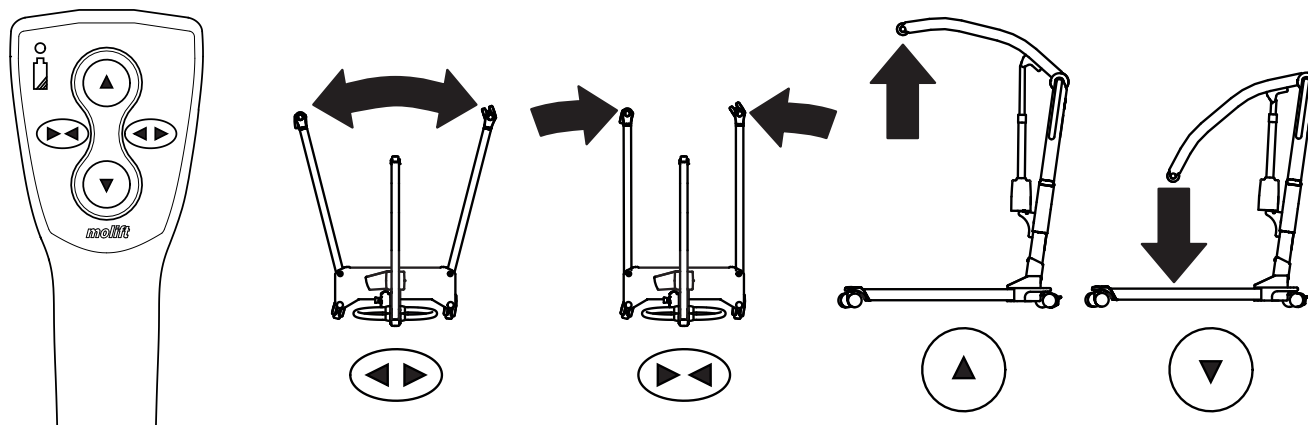


Never exceed the Safe Working Load (SWL) of 180 kg (397 lbs). If maximum load (SWL) differs between hoist and body support unit, then the lowest maximum load shall always be used.

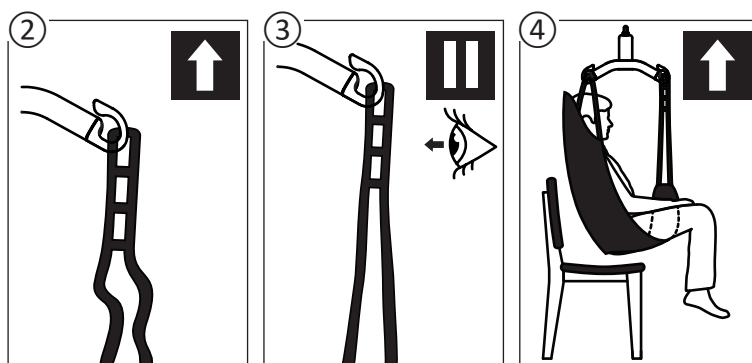
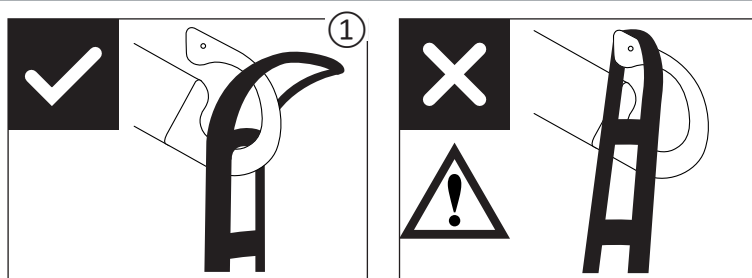
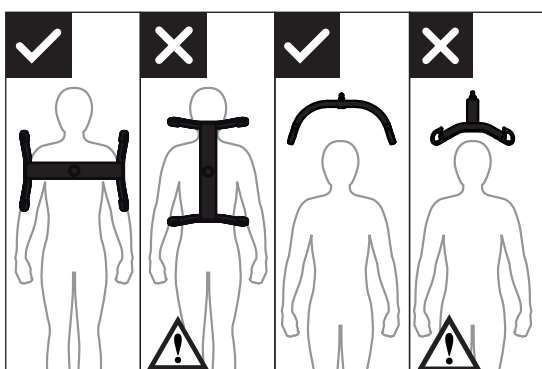



Molift hoists shall only be used to lift persons. Never use the hoist to lift or move objects of any kind.


Handcontrol and operation



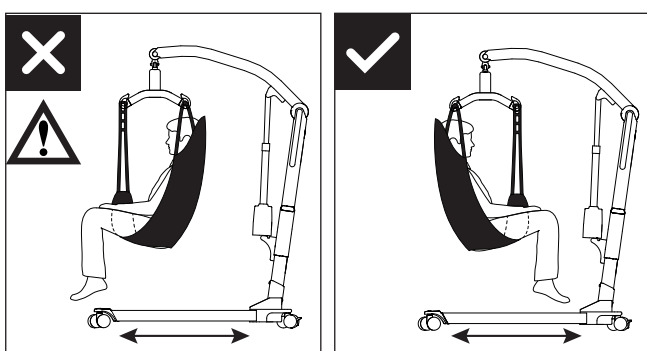
Sling bar placement and sling attachment




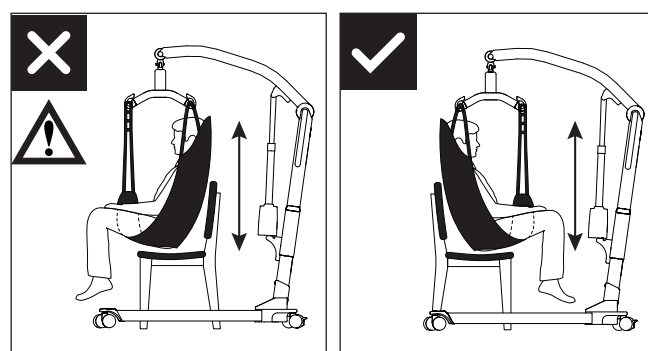
 **Never lift the user higher than necessary to carry out a lift. Remember that wheels on a mobile hoist must NOT be locked.**

 **The hoist shall not be used to lift or move users on sloping surfaces.**

User positions for transfer and lowering



 **Do not push or pull the user, lifting arm or actuator. This may cause stability problems and hoist may tip over.**



 **Never leave a user unattended in a lifting situation.**