

Convoid Trekker - HCPCS E1234

Retail Price List / Order Form

Account #: _____ Purchase Order #: _____ Date: _____
 Contact: _____ ATP/RTS: _____ Mark For: _____

Bill To:	Ship To:
Address:	Address:
City/State/Zip:	City/State/Zip:
Phone:	Phone:
Email:	

Trekker Standard Features:

- Trekker Folding Mobility Frame Accepts TR12 & TR14 Seating Systems
- Tilt-in-Space (-10° to +45°)
- 180° Reversible Seating Configuration
- 90° Fixed Front Rigging
- 7.5" x 2" Front and 11.5" x 2.5" Rear Solid Tires
- One Piece Height Adjustable Push Handle (Inside Mount)

- Silver Powder Coated Frame
- 90° Fixed Footplate
- Quick Release Rear Wheels
- Standard Recline 80° to 110°
- Depth Adjustable Seat Pan

Transit Models Additional Features:

- Transit Anchor Brackets

Standard Models:

- TR Seating System - C904768
- TR Mobility Frame - C904661

Price

\$0
\$2,611

Transit Included Models:

- TR Seating System - C904768
- TR Mobility Frame Transit - C905362

Price

\$0
\$2,829

Trekker Seating System

- Seat Width 12"
 - Back Canes Only
 - TR12 Height Adjustable Solid Back 9" - 17"
- Seat Width 14"
 - Back Canes Only
 - TR14 Height Adjustable Solid Back 17" -26"

Back Additional Recline Option

- Recline Option (80 to 170 degrees)¹
- Snuggle Back Cushions:****

- TR12 Short
- TR14 Tall

Comfort Side Support Wings

- Comfort Side Support Wing - Left
- Comfort Side Support Wing - Right

Extra Back Cushion Options

- Lumbar Support
- Seating Depth Position (Select One - See Chart on Bottom of Order Form):**

- Seat Depth Position 1 (TR12: 5.5"-8"/TR14: 8"-10")
- Seat Depth Position 2 (TR12: 7.5"-10"/TR14: 10"-12")
- Seat Depth Position 3 (TR12: 9.5"-12"/TR14: 12"-14")
- Seat Depth Position 4 (TR12: NA/TR14: 13"-15")

Planar Seat Cushion**

- Snuggle Planar Seat Short Cushion - Standard Fabric (TR12: 12x12) / (TR14: 14x14)
- Snuggle Planar Seat Short Cushion - Spacer Fabric (TR12: 12x12) / (TR14: 14x14)

Contoured Seat Cushion**

- Snuggle Contoured Seat Long Cushion - Standard Fabric (TR12: 12x14) / (TR14: 14x1)
- Snuggle Contoured Seat Long Cushion - Spacer Fabric (TR12: 12x14) / (TR14: 14x16)

Cushion Accent Colors

- Panther Black
- Royal Blue
- Forest Green
- Sassy Purple
- Princess Pink
- Cherry Red

¹Manufacturer Installation Required.

²Fast tab is only added to Cushion if 3-Pt Belt is added. New Cushion is required if 3-Pt Belt is added after-market.

***All seat cushions must have fast tab for aftermarket 3-Pt Belt and H-Harness.**

****Back cushion dimensions are seat pan to top of back pan.**

Frame Options

- Height Adjustable Push Handle¹ (Outside Mount)
- Caster Locks¹
- Curb Tipper (Cannot use with Rear Anti-Tip Tubes)
- Rear Anti-Tip Tubes (Cannot use with Curb Tipper)

¹Manufacturer Installation Required.

Transit Required Items

- Transit Anchor Brackets^{1A*}
- 2-Point Pelvic Belt
- Using other manufacturer's Head Support

¹Manufacturer Installation Required.

^AThe Transit Included Model excludes the price of the transit required items except the Transit Anchor Brackets.

***Requires Head Support and Pelvic Belt.**

Transit Option

- Q'Straint Transit Lap Belt

Price

N/C
N/C
\$572
N/C
N/C
\$572

HCPCS

E2293
E2293

\$524
N/C
N/C

E1226

N/C
N/C

\$39

K0108

N/C
N/C
N/C
N/C

\$321
\$321

E2292
E2292

\$354
\$354

E2294
E2294

N/C
N/C
N/C
N/C
N/C
N/C

TR12

C905515	
C508446	
C904662	
	C905516
	C508447
	C904663
C905053	C905053
C904696	
	C904699
C904617	C904617
C904618	C904618
C904664	C904664
C905354	C905354
C905355	C905355
C905356	C905356
	C905360
C905412	C904710
C904708	C905425
C905415	C904783
C905429	C905430
C903854	C903854
C903850	C903850
C903857	C903857
C903851	C903851
C903759	C903759
C903855	C903855

TR12

C904688	C904688
C904689	C904689
C905310	C905310
C904649	C904649

TR12

C904576	C904576
C905386	C905386
C995681	C995681

TR12

C903094	C903094
---------	---------

Head Supports (Required for Transit)*		Price	HCPCS
<input type="checkbox"/> Adjustable Wing Head Support (Requires height adjustable solid back system).		\$290	E0955
<input type="checkbox"/> Integrated Adj Head Support Assembly (Option only on TR12 Seating System)		\$193	E0955
<input type="checkbox"/> R82 Adjustable Width Headrest, Black Cover - Short (Hardware Required)		\$333	E0955
<input type="checkbox"/> Turtle Neck Bar System, Short (Required)		\$278	E1028
<input type="checkbox"/> Headrest Universal Mount (Required)		\$59	K0108
R82 Anatomic Headrest with Black Cover (Hardware Required)			
<input type="checkbox"/> Small		\$278	E0955
<input type="checkbox"/> Medium		\$278	E0955
<input type="checkbox"/> Turtle Neck Bar System, Short (Required)		\$251	E1028
<input type="checkbox"/> Headrest Universal Mount (Required)		\$59	K0108

TR12	TR14
C904608	C904608
C904615	
C905287	C905287
C904948	C904948
C904946	C904946
C904950	C904950
C904951	C904951
C904948	C904948
C904946	C904946

*The Transit model requires head support selection if other manufacturer's head support is not selected under "Transit Required Items."

Trunk Positioning		Price	HCPCS
<input type="checkbox"/> H-Harness w/ Padded Covers^^^		\$107	E0960
Torso Vest by R82			
<input type="checkbox"/> LT Shoulder to RT Hip: 7.75" - 10.75" (Size XS)		\$218	E0960
<input type="checkbox"/> LT Shoulder to RT Hip: 10.75" - 12.5" (Size S)		\$218	E0960
<input type="checkbox"/> LT Shoulder to RT Hip: 12.5" - 16" (Size M)		\$218	E0960
<input type="checkbox"/> LT Shoulder to RT Hip: 16" - 18.5" (Size L)		\$218	E0960
<input type="checkbox"/> LT Shoulder to RT Hip: 18.5" - 20.5" (Size XL)		\$218	E0960
<input type="checkbox"/> LT Shoulder to RT Hip: 20.5" - 23.5" (Size XXL)		\$218	E0960
<input type="checkbox"/> Camlock Kit for Vest (Required)		N/C	
Cross Vest by R82			
<input type="checkbox"/> LT Shoulder to RT Hip: 7.75" - 12.5" (Size XS)		\$207	E0960
<input type="checkbox"/> LT Shoulder to RT Hip: 10.25" - 13.5" (Size S)		\$207	E0960
<input type="checkbox"/> LT Shoulder to RT Hip: 13.5" - 17.75" (Size M)		\$207	E0960
<input type="checkbox"/> LT Shoulder to RT Hip: 17.75" - 20.75" (Size L)		\$207	E0960
<input type="checkbox"/> LT Shoulder to RT Hip: 20.75" - 24.5" (Size XL)		\$207	E0960
<input type="checkbox"/> Camlock Kit for Vest (Required)		N/C	

TR12	TR14
C904695	C904695
C905476	C905476
C905152	C905152
C905153	C905153
C905154	C905154
C905480	C905480
C905481	C905481
C905394	C905394
C905176	C905176
C905177	C905177
C905178	C905178
C905179	C905179
C905180	C905180
C905394	C905394

^^^Requires the Height Adjustable Solid Back System and 3-Point Pelvic Belt.

Laterals		Price	HCPCS
Fixed Laterals - Width, Height, Adj. Lateral Thoracic Support			
Left Lateral Padding Selection:			
<input type="checkbox"/> Size 1: 4" (D) x 4.5" (H)		\$159	E0956
<input type="checkbox"/> Size 2: 5" (D) x 4.5" (H)		\$159	E0956
Right Lateral Padding Selection:			
<input type="checkbox"/> Size 1: 4" (D) x 4.5" (H)		\$159	E0956
<input type="checkbox"/> Size 2: 5" (D) x 4.5" (H)		\$159	E0956
Swing-Away Laterals - Height Adj. Lateral Thoracic Support			
Left Lateral Padding Selection:			
<input type="checkbox"/> Size 1: 4" (D) x 2.75" (H)		\$129	E0956
<input type="checkbox"/> Size 2: 5.75" (D) x 4.25" (H)		\$129	E0956
<input type="checkbox"/> Swing Away Adj. Hardware (Required for S/A Laterals)		\$259	E1028
Right Lateral Padding Selection:			
<input type="checkbox"/> Size 1: 4" (D) x 2.75" (H)		\$129	E0956
<input type="checkbox"/> Size 2: 5.75" (D) x 4.25" (H)		\$129	E0956
<input type="checkbox"/> Swing Away Adj. Hardware (Required for S/A Laterals)		\$259	E1028
<input type="checkbox"/> 1" Thick Padded Lateral Support Cover		\$54	E0960

C904760	C904760
C904876	C904876
C904761	C904761
C904886	C904886
C904864	C904864
C904866	C904866
C904884	C904884
C904865	C904865
C904867	C904867
C904885	C904885
C905411	C905411

Pelvic Positioning (Required for Transit)*		Price	HCPCS
<input type="checkbox"/> 2-Point Pelvic Belt		\$49	E0978
<input type="checkbox"/> 3-Point Pelvic Belt		\$53	E0978
4-Point Pelvic Belt by R82 (Cannot be paired with 2-Point Pelvic Belt)*			
<input type="checkbox"/> Hip Width: 6.75" - 12.5" (Size XS)		\$147	K0108
<input type="checkbox"/> Hip Width: 8.25" - 13.75" (Size S)		\$147	K0108
<input type="checkbox"/> Hip Width: 9.75" - 16.25" (Size M)		\$147	K0108
<input type="checkbox"/> Hip Width: 12.5" - 17.25" (Size L)		\$147	K0108
<input type="checkbox"/> Hip Width: 16.25" - 20.5" (Size XL)		\$147	K0108

TR12	TR14
C905386	C905386
C904017	C904017
C905148	C905148
C905149	C905149
C905150	C905150
C905151	C905151
C905475	C905475

*The Transit model requires belt selection if 2-Point Belt is not selected under "Transit Required Items."

Hip Guides		Price	HCPCS
Hip Guides without Armrest - Height Adj. Lateral Pelvic Support			
Left Size Selection:			
<input type="checkbox"/> Small - 4.5" - 5.5" (H)*		\$131	E0956
<input type="checkbox"/> Large - 5.25" - 6.25" (H)*		\$131	E0956
Right Size Selection:			
<input type="checkbox"/> Small - 4.5" - 5.5" (H)*		\$131	E0956
<input type="checkbox"/> Large - 5.25" - 6.25" (H)*		\$131	E0956
Hip Guides with Armrest - Height Adj. Lateral Pelvic Support (Cannot be used with Reversible Tray)			
Left Size Selection:			
<input type="checkbox"/> Small - 5"-6"(H)*		\$159	E0956
<input type="checkbox"/> Large - 7"-8"(H)*		\$159	E0956
Right Size Selection:			
<input type="checkbox"/> Small - 5"-6"(H)		\$159	E0956
<input type="checkbox"/> Large - 7"-8"(H)*		\$159	E0956
Medial Knee Abductor (Pommel)			
<input type="checkbox"/> Small (1.5" front width, 3.5" depth, 2" back width, 2.25" height)		\$176	E0957
<input type="checkbox"/> Medium (2.6" front width, 4.1" depth, 2" back width, 2.7" height)		\$176	E0957

TR12	TR14
C904935	C905042
C905040	C904937
C904936	C905043
C905041	C904938
C904611	C904613
	C904927
C904612	C904614
	C904928
C904557	C904557
C904591	C904591

*Effective Height is reduced by 1" when used with Planar Seat Cushion or 2" if used with Contoured Seat Cushion.

- Foot & Leg Positioning**
- Elevating Leg Rest (90° - 180°)¹ **\$272** **E0990**
 - Padded Elevating Legrest Cover **\$102** **K0108**
 - Calf Panel (E.I.) H: 3.5" **\$67** **E0995**
 - Calf Panel (Standard) H: 6" **\$67** **E0995**
 - Individual Angle Adjustable Footplates (Elevating Leg Rest Required)¹ **\$375** **K0040**
 - One Piece Angle Adjustable Flip Up Footplate (-15° - +15°) **\$120** **K0040**
 - Full Padded Footbox (One-Piece Footplate Required) **\$354** **K0108**
- Foot Positioners**
- Small 7" - 10" **\$170** **K0108**
 - Medium 8" - 11" **\$170** **K0108**
- Therafin Shoe Holders w/Padded Straps**
- Small **\$205** **K0108**
 - Medium **\$205** **K0108**

¹Manufacturer Installation Required.

TR12	TR14
C905046	C905047
C904619	C904619
C905370	C905370
C904580	C904580
C905049	C905050
C904568	C904596
C904955	C904956
C903415	C903415
C903416	C903416
C904679	C904679
C904680	C904680

- Tire Options**
- 12.5" x 2" Rear Solid Knobby Tires **\$217** **E1029**
 - 7.5" x 2" Front, 12.5" X 2" Rear Pneumatic Knobby Tires **\$325** **E1029**

TR12	TR14
C904117	C904117
C904118	C904118

- Medical Support Accessories**
- Medical Necessity Storage Basket **\$321** **E1029**
 - IV Pole (Height Adjustable and Collapsible)^o **\$208** **K1015**
 - Adj. Swing-Away Hardware (Required for IV Pole) **\$150** **K1028**
 - Vertical O2 Tank Holder¹ **\$191** **E2208**
 - LTV Ventilator Holder¹ **\$491** **E1029**
 - Ventilator/Suction/Hard Tray **\$491** **E1029**
 - Extended Ventilator/Suction/Hard Tray **\$491** **E1029**

¹Manufacturer Installation Required.

^oRequires Rear Anti-Tip Tubes.

¹Cannot be used during transit.

TR12	TR14
C904606	C904606
C904566	C904566
C905612	C905612
C904565	C904565
C904671	C904671
C904595	C904595
C905416	C905416

- Accessories**
- Headrest Cover (Canopy) **\$249** **K0108**
 - Extended Headrest Cover (Canopy) **\$272** **K0108**
 - Upper Extremity Support Tray (Clear Tray)^{^A} **\$121** **E0950**
 - Adj Removable Hardware (Required for Clear Tray) **\$248** **E1028**
 - Padded Tray Cover* (Clear Tray Required) **\$71** **K0108**
 - Under Seat Storage Basket **\$124**
 - Utility Bag **\$46**
 - Rain Cover (Canopy Required) **\$164**
 - Mosquito Net (Canopy Required) **\$164**

*Cannot be used during transit.

^{^A}Not available with Hip Guides with Armrest.

TR12	TR14
C904572	C904599
C904690	C904691
C904556	C904590
C905361	C905361
C904586	C904610
C904605	C904605
C904531	C904531
C904790	C904791
C904788	C904789

- R82 High-Low:xo Frame Options**
- Manual Lifts**
- High-Low:xo Frame, Manual Lift, Indoor, Size 1 **\$2,127**
 - Rear Anti-Tip for High-Low:xo Frame **\$218**

TR12	TR14
C905366	C905366
C905633	C905633

***The Trekker Transit option includes four manufacturer installed black wheelchair transportation anchors. The Trekker Transit model has been crash tested and conforms to RESNA WC19 standards and ISO 7176-19:2022.

Do not use the foot positioners on the Convoid Trekker during transit in a motor vehicle.

If the Trekker with back canes only option is selected it is the providers responsibility to ensure the seating components are WC20 compatible, mounted on the Trekker Mobility Base that conforms to RESNA WC19 and ISO 7176-19:2022 standards.

HCPCS codes are provided for your convenience and are NOT to be considered billing or legal advice. Providers are responsible for insuring that appropriate billing codes are used when submitting claims. Proper use of HCPCS codes does not insure coverage or payment. Contact the appropriate payer for coverage information.

Standard Domestic Shipping Rate: \$40 • For expedited shipping rates, please call 1-844-876-6245

Prices in USD & subject to change, ex works Torrance, California.

Effective: 1/20/2025

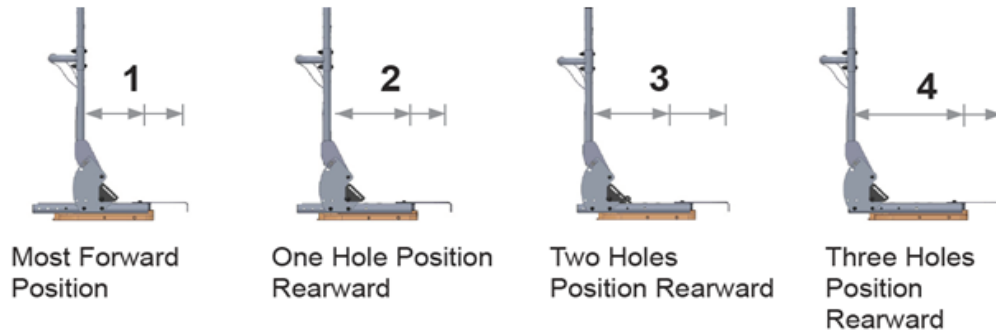
Convoid
2830 California Street
Torrance, CA 90503
1 844-US-MOBILITY (844-876-6245)
www.etac.us.com

OF0700-ENG-REV.00



Seat Depth Adjustable Positions:

Seat Depth Growth				
Postion:	1	2	3	4
TR12:	5.5" - 8"	7.5" - 10"	9.5" - 12"	N/A
TR14:	8" - 10"	10" - 12"	12" - 14"	13" - 15"



Trekker Top Vests Belt Slot (Shoulder) Height from Seat Pan

	Minimum	Maximum
TR12 Integrated Headrest	9"	13"
TR12 Separate Headrest	13"	17"
TR14 Separate Headrest	17"	26"

Seating Module Specifications:**Convoid Trekker Seating Module Specifications**

Seat Width with Accessories	TR 12 (Size 1)	TR 14 (Size 2)
Trunk Width between Fixed Laterals (With Comfort Wings/Without Comfort Wings)	7.5" - 8" / 7.5" - 12"	9.5" - 10" / 9.5" - 14"
Trunk Width between Swing-Away Laterals (With Comfort Wings/Without Comfort Wings)	6" - 8" / 6" - 10"	7" - 9.5" / 7" - 14"
Hip Width between Hip Guides Without Armrests	5.5" - 11.5"	6.5" - 14"
Hip Width between Hip Guides With Armrests	5.5" - 11.5"	6.5" - 14"

Convoid Trekker Seat to Footplate Dimensions

Seat to Footplate Dimensions	TR 12 (Size 1)	TR 14 (Size 2)
Fixed 90° with one piece footplate	5.5" - 11.5"	5.5" - 11.5"
Fixed 90° with one piece footplate (flipped)	3.25" - 9.25"	3.25" - 9.25"
ELR with one piece footplate	4.75" - 10.75"	6.25" - 12.25"
ELR with one piece footplate (flipped)	2" - 8"	4.25" - 10.25"
ELR with individual footplates	5" - 11"	7" - 13"
ELR with individual footplates (flipped)	2" - 5"	4" - 7"