

R82 Gazelle - E0641

USD Retail Price List/ Order Form

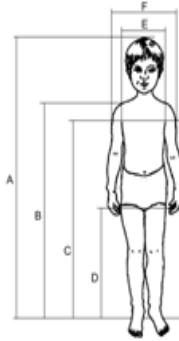
Account #: _____ Purchase Order No.: _____ Date: _____
 Contact: _____ Mark For: _____

Bill To:	Ship To:
Address:	Address:
City/State/Zip:	
Phone:	City/State/Zip:
Email	Phone:

US Configuration

Effective: 01.21.25 - Rev 9

- Gazelle
- Head support
- Trunk support
- Hip/side support
- Tray



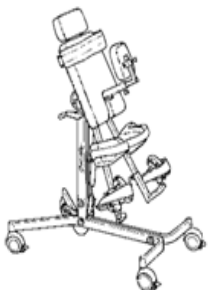
A (Total Height) _____
 B (Shoulder Height) _____
 C (Chest Height) _____
 D (Buttock Height) _____
 E (Chest Width) _____
 F (Shoulder Width) _____
 Age _____
 Weight _____

Measurements




	Size 1 Inches	Size 2 Inches	Size 3 Inches
Overall width	19"	23"	26"
Length, total	30"	35"	39"
Length, foot-axil	18-37"	24-41"	28-49"
Overall height, horizontal	30"	31½"	35"
Folded height	11"	12"	12"
Folded length	37"	44½"	51"
Height of buttock	14½"	18"	22"
Angle, board	90° to -15°	90° to -15°	90° to -15°
Total mass	44 lbs.	48 lbs.	52 lbs.
Max load	88 lbs.	132 lbs.	176 lbs.

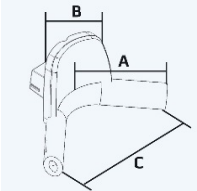
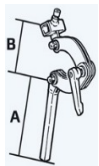
NOTES:

Gazelle Features



- Prone, upright and supine in one unit
- Multi adjustable foot and knee (reversible) support
- Foldable bracket for back support
- Removable back support
- Trunk safety belt
- Locking castors
- Manual leg abduction
- Gas spring assisted tilt from vertical to horizontal
- Adjustable trunk or chest support
- Up to 30° of Hip Abduction

Accessories	Description	Measurements	Size	Part No.	USD Price	HPCPS	
	<input type="checkbox"/> Lower Leg Angle Adjustment Bracket		1	88165-1	\$625		
	<input type="checkbox"/> Lower Leg Angle Adjustment Bracket		2	88165-2	\$625		
	<input type="checkbox"/> Lower Leg Angle Adjustment Bracket		3	88165-3	\$625		
	<input type="checkbox"/> Strap for Foot Support		One Size	85096	\$40		
	<input type="checkbox"/> Lateral Supports	5¾ x 5¾"	Small	88055-1	\$241		
	<input type="checkbox"/> Lateral Supports	7 x 5"	Large	88055-2	\$241		
	<input type="checkbox"/> Lateral Supports (Exterior) ♦	5¾ x 5¾"	Small	88065-1	\$241		
	<input type="checkbox"/> Lateral Supports (Exterior) ♦♦	7 x 5"	Large	88065-2	\$241		
	♦ Extends width by 4"						
	<input type="checkbox"/> Lateral Supports (Interior) ♦	5¾ x 5¾"	Small	88075-1	\$241		
	<input type="checkbox"/> Lateral Supports (Interior) ♦	7 x 5"	Large	88075-2	\$241		
	♦ Reduces width by 4"						
	<input type="checkbox"/> Straps for Side Supports		1	88250-1	\$73		
	<input type="checkbox"/> Straps for Side Supports		2	88250-2	\$73		
	<input type="checkbox"/> Straps for Side Supports		3	88250-3	\$73		
	<input type="checkbox"/> Head Supp. w/ Facial Aperture	8¼ x 6¼"	1	88117-1	\$257		
	<input type="checkbox"/> Head Supp. w/ Facial Aperture	10 x 8¼"	2	88117-2	\$257		
	<input type="checkbox"/> Head Supp. w/ Facial Aperture	11½ x 10¼"	3	88117-3	\$257		
	<input type="checkbox"/> Universal Headrest Mount		One Size	87590	\$68	E1028	
♦ Required when using other manufactures Head Support							
Allow most Whitmyer, Stealth, Otto Bock headrest, I2I to mount to our products							
	<input type="checkbox"/> Mounting for Head Support for Supine Position ♦		One Size	88130	\$224		
♦ Required when ordering any head support							
	<input type="checkbox"/> Mounting for Head Support for Prone Position		1	88124-10	\$525		
	<input type="checkbox"/> Mounting for Head Support for Prone Position		2	88124-20	\$525		
	<input type="checkbox"/> Mounting for Head Support for Prone Position		3	88124-30	\$525		
	<input type="checkbox"/> Head Support No. 1, Black PU ♦		One Size	6171550	\$224		
	<input type="checkbox"/> Head Support No. 2, Black PU ♦		One Size	6172550	\$224		
	<input type="checkbox"/> Head Support No. 3, Black PU ♦		One Size	6173550	\$224		
♦ Turtle Bar System Required							

Accessories	Description	Measurements	Size	Part No.	USD Price	HCPCS
	<input type="checkbox"/> Anatomic Head Support ♦	A:5½ x B:5½ x C:9½"	Small	5099001	\$279	E0955
	<input type="checkbox"/> Head Support Cover <i>(Required)</i>		Small	9923-83	\$0	
	<input type="checkbox"/> Anatomic Head Support ♦	A:6 x B:5½ x C:10"	Medium	5099002	\$279	E0955
	<input type="checkbox"/> Head Support Cover <i>(Required)</i>		Medium	9945-83	\$0	
	<input type="checkbox"/> Anatomic Head Support ♦	A:6½ x B:5½ x C:12½"	Large	5099003	\$279	E0955
	<input type="checkbox"/> Head Support Cover <i>(Required)</i>		Large	9967-83	\$0	
	♦ Turtle Bar System Required					
	Swing-away Mounting Brackets - Height, Depth, Angle and Lateral Adjustable					
	<input type="checkbox"/> Turtle Bar System ♦	A: 5", B: 4-8½"	Short	98619-25	\$251	E1028
	<input type="checkbox"/> Turtle Bar System ♦	A: 10", B: 4-8½"	Long	98619-26	\$251	E1028
	♦ Required with Anatomic Head Support; 5099001, 5099002 or 5099003					

Other types of headrest available, please see Head Supports Order Form

HCPCS codes are provided for your convenience and are NOT to be considered billing or legal advice. Providers are responsible for insuring that all appropriate billing codes are used when submitting claims. Proper use of HCPCS codes does not insure coverage or payment. Contact the appropriate payer for coverage information.

Prices in USD & is subject to change without notice

For Quotes and Orders please send completed Order Form to: sales.us@etac.com or fax: 1-800-760-0537

Etac
+1 844-US-MOBILITY (844-876-6245)
www.etac.us.com

OF5400-ENG-REV.09

Creating Possibilities