



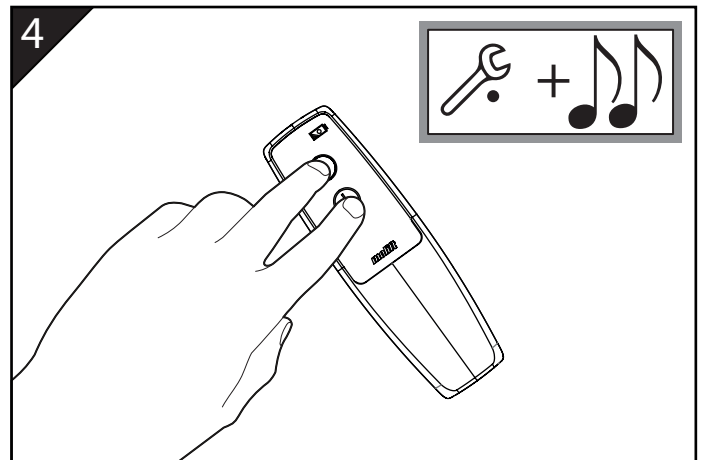
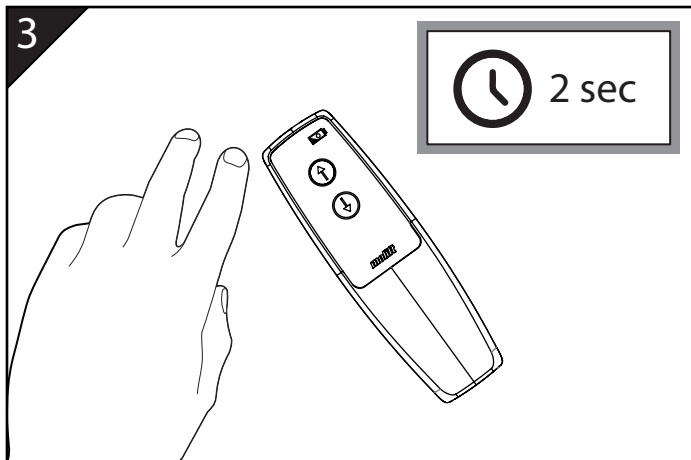
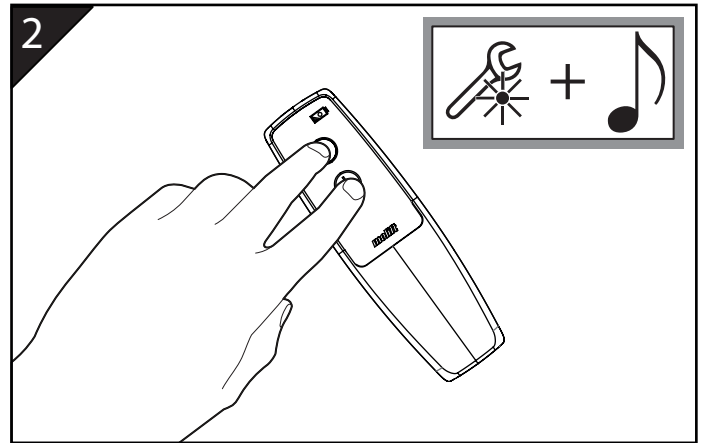
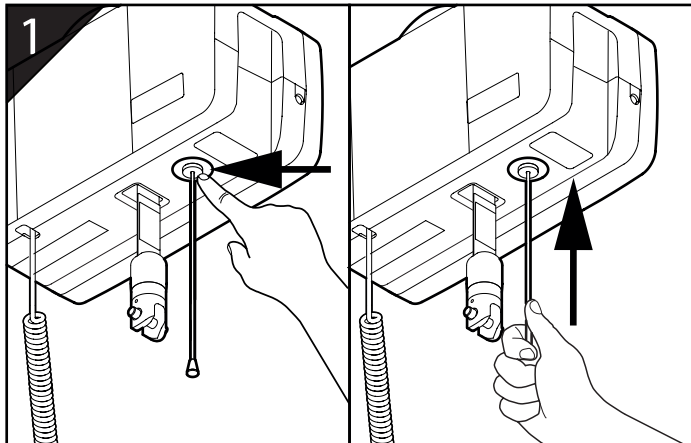
# Quick guide

Molift Air 200/350/500

**molift**<sup>®</sup>  
by Etac

QG16401 - 2023-04-19 - Version A

## How to reset service light before first use of Molift Air



**UK REP**

**Etac Ltd.**  
Unit 60, Hartlebury Trading Estate,  
Hartlebury, Kidderminster,  
Worcestershire, DY10 4JB  
+44 121 561 2222

**CH REP**

**Sodimed SA**  
Ch. Praz-Devant 12  
CH-1032 Romanel-sur-Lausanne  
+41 58 911 06 06



**Etac A/S**  
Parallevej 3  
DK-8751 Gedved

+45 796 858 33  
patienthandling@etac.com  
www.etac.com

**molift**<sup>®</sup>  
by Etac