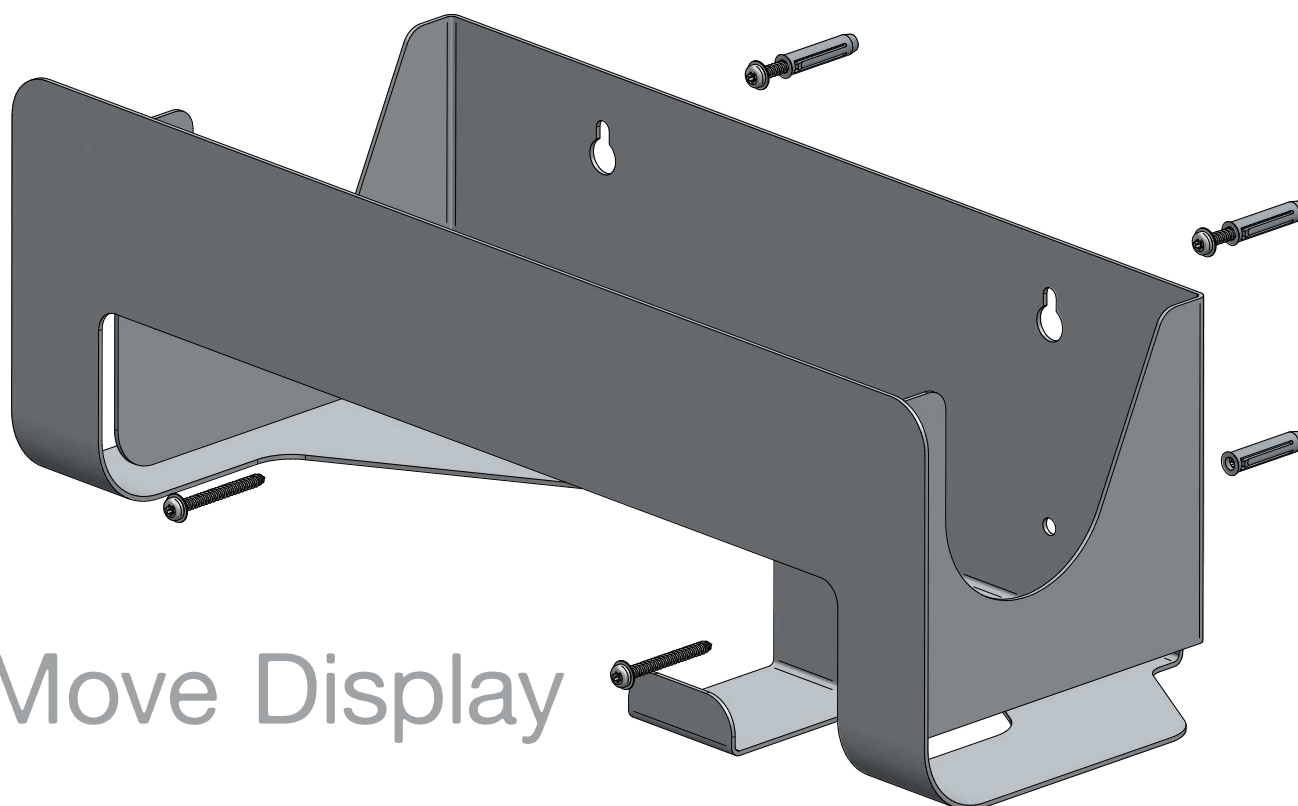


2Move Display

Installation guide

immedia
by Etac



2Move Display

Installation guide for 2Move Display

Use the template on the back of this sheet, to mark the position of the 4 holes.

Drill 4 holes, with a diameter of 8 mm and a minimum depth of 50 mm.

Mount the 4 supplied fasteners in their holes.

Mount screws and washers in the top 2 fasteners and hang the display on them.

Mount screws and washers in the lower 2 fasteners and tighten all 4 screws.

Item no	EAN no	Size in mm
IM4040	5708012003266	H250 x W530 x L205

Contact / Download

Etac A/S
info@etac.dk
www.etac.dk

Etac GmbH
info@etac.de
www.etac.de

Etac A/S
hovedkontor.norge@etac.com
www.etac.com

R82 UK Ltd.
enquiries@etac.uk.R82.com
www.etac.com/uk

Etac AB
info@etac.se
www.etac.se

Etac Export
etac.immedia@etac.com
www.etac.com/exp

Etac R82 B.V
info.holland@etac.com
www.etac.com

R82 Inc.
information@r82.com
www.r82.com

Manufacture

Etac Immedia A/S
Egeskovvej 12
DK-8700 Horsens
etac.immedia@etac.com

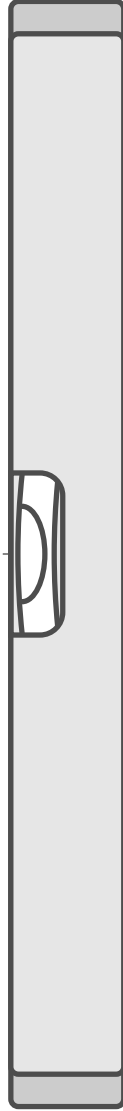
etac
Creating possibilities

Hole Size \varnothing 8 mm x 50 mm



260 mm

100 mm



Keep this line level



x 4



x 4



x 4

imedia
by Etac