

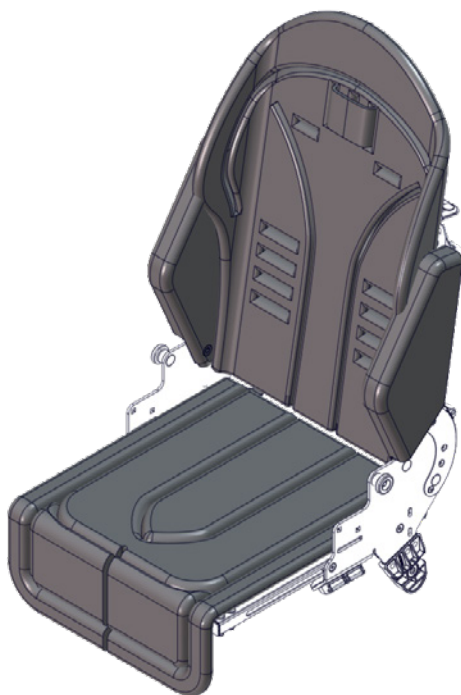


Mounting instruction

Chilla seat

R82[®]
by Etac





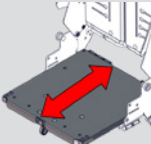
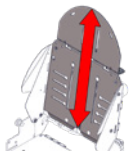
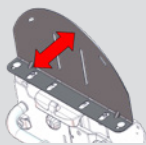
9996098191 - 2024-03-25 rev. 3.0



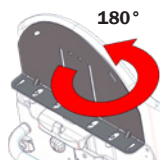
www.etac.com



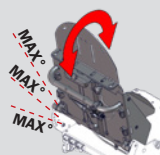
Content

	6
	7
	8
	9
	10
	11
	12

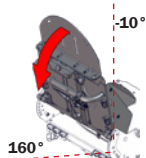
Content



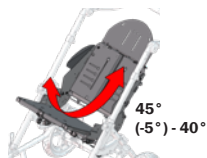
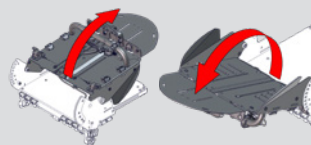
13



14



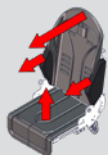
15



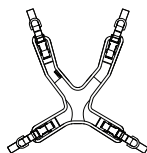
17



Content



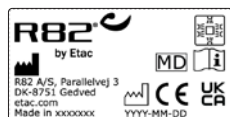
22-23



24



25



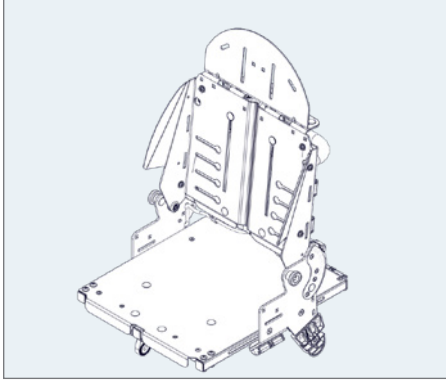
26



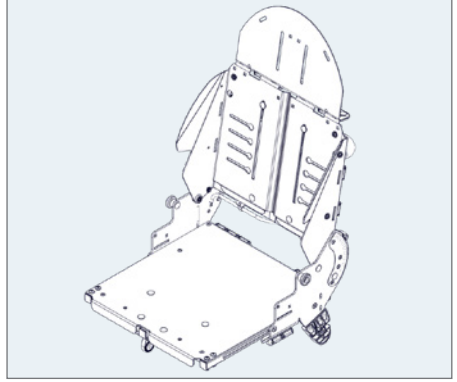
27-29



Size 1

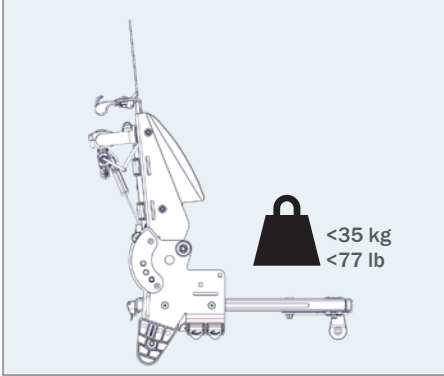


Size 2

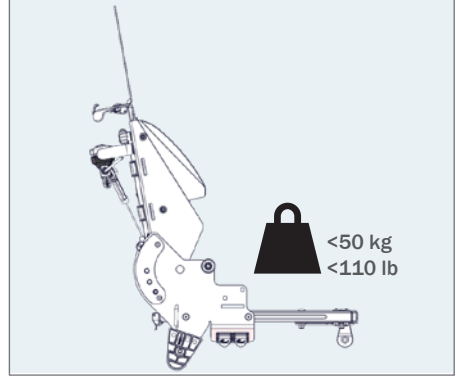


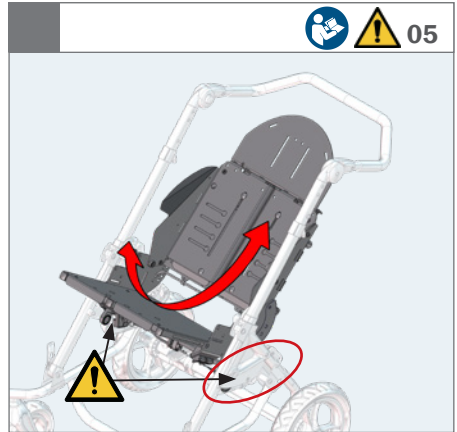
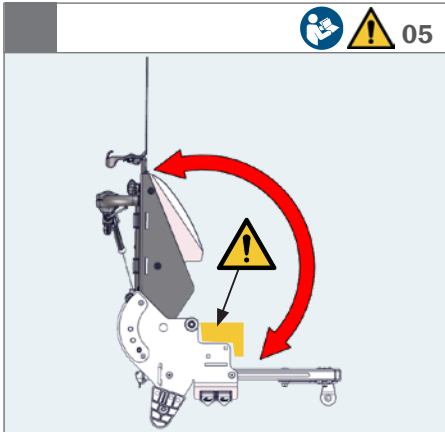
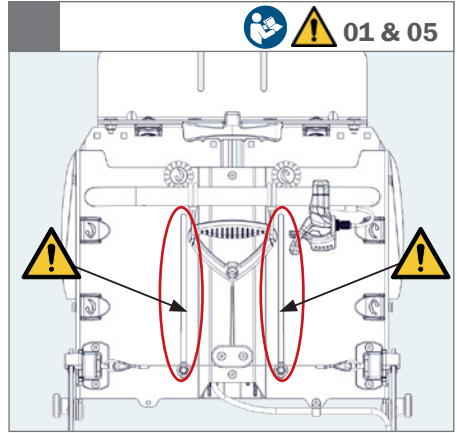
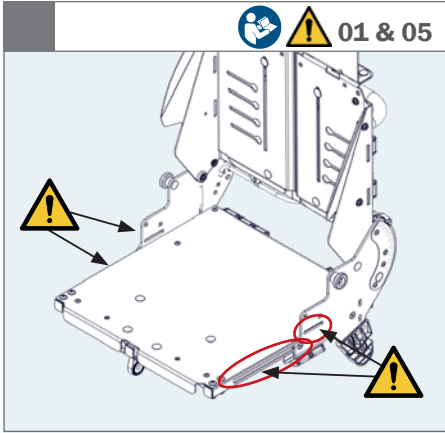


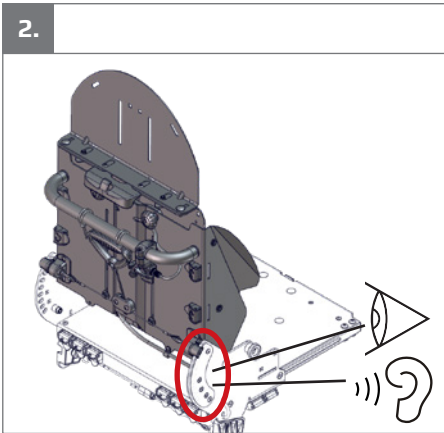
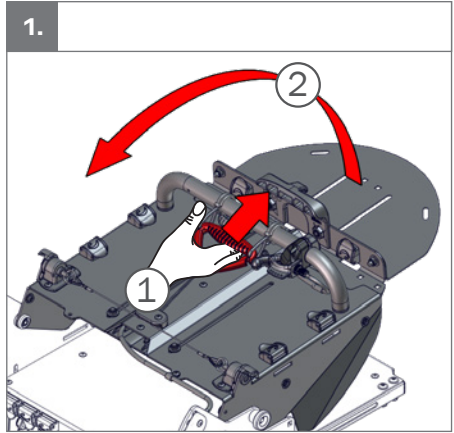
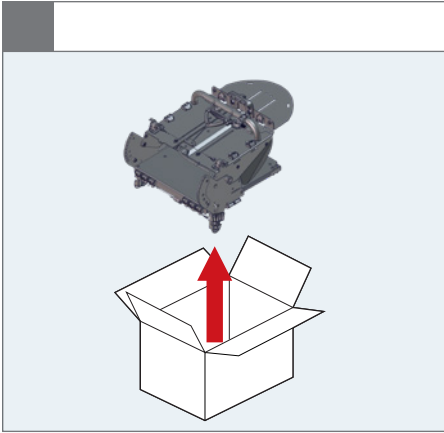
Size 1



Size 2

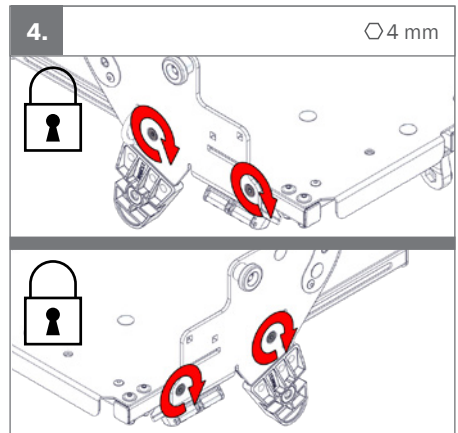
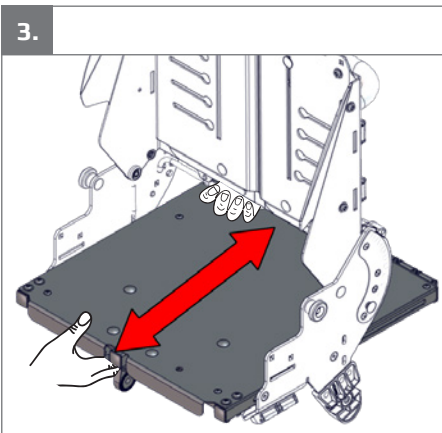
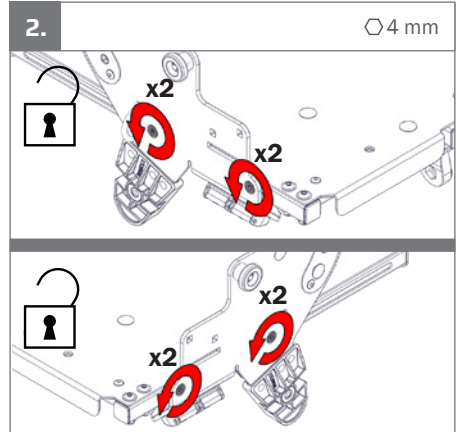
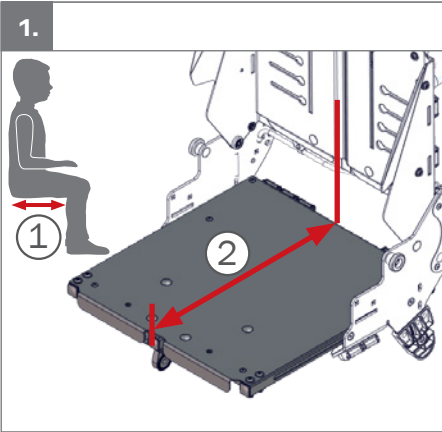
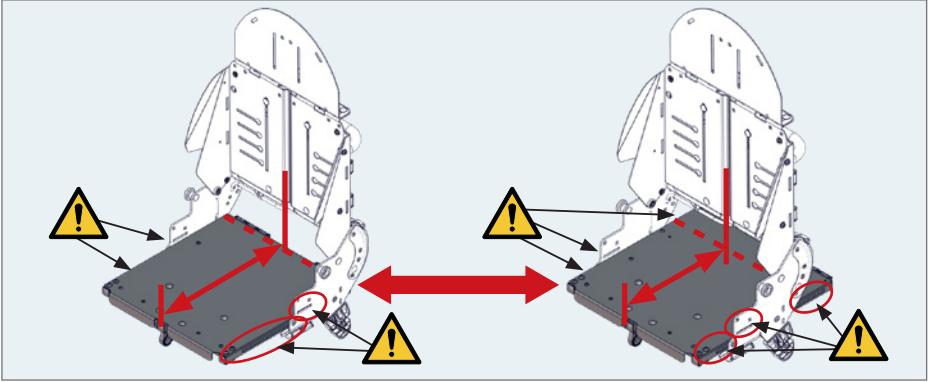






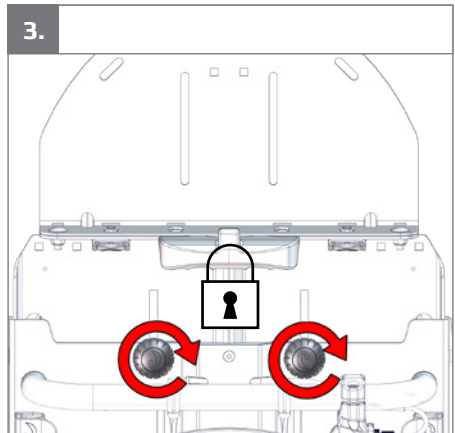
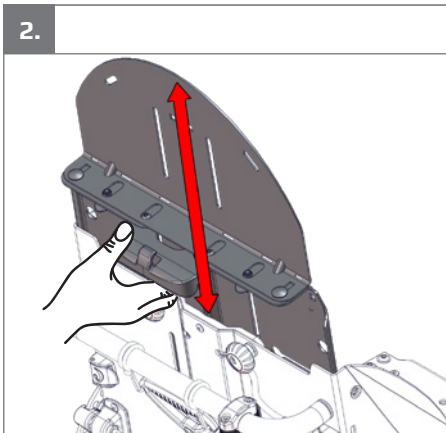
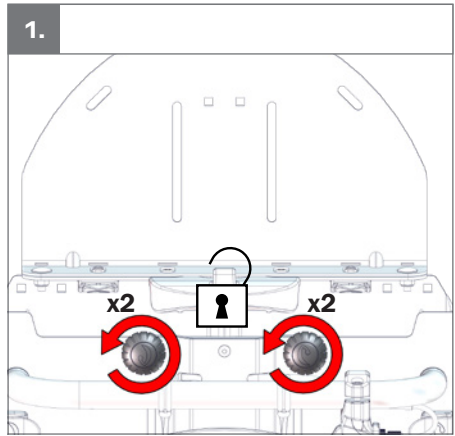
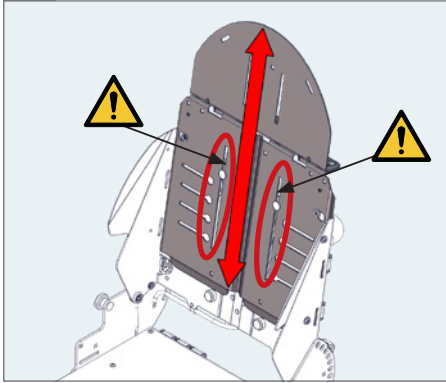


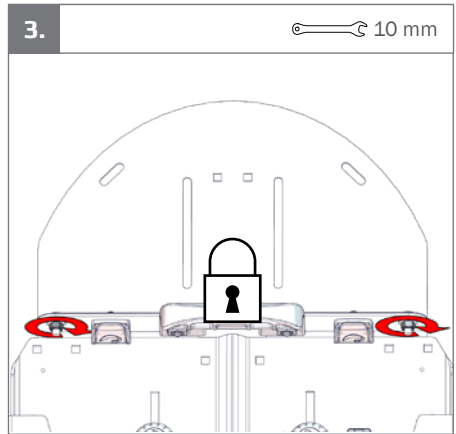
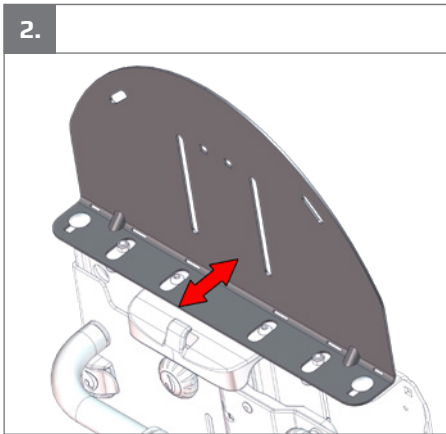
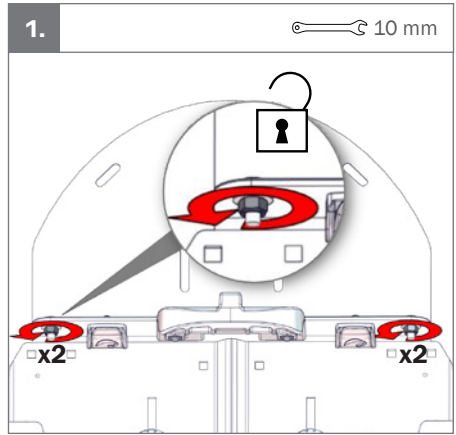
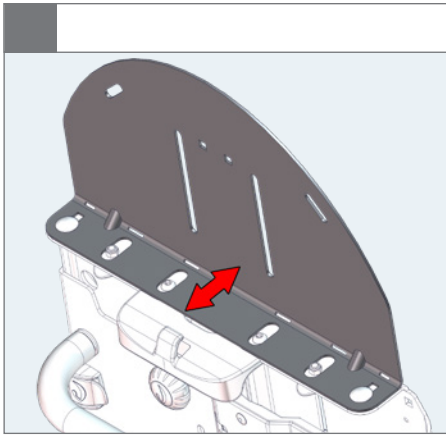
  01 & 05

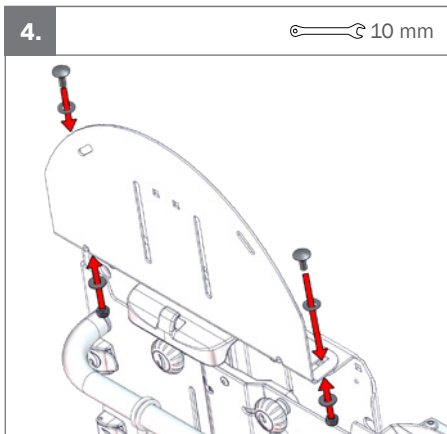
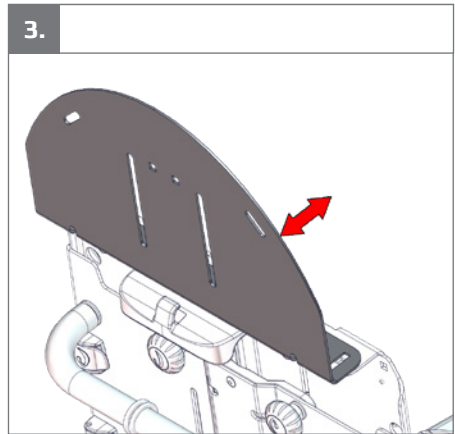
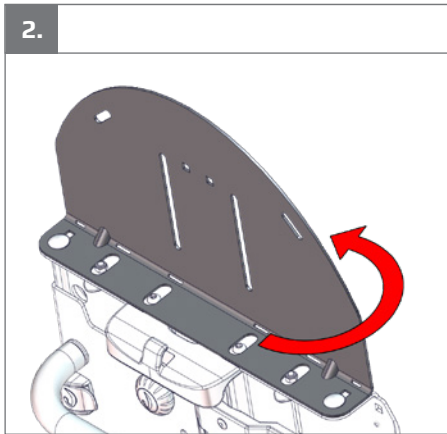
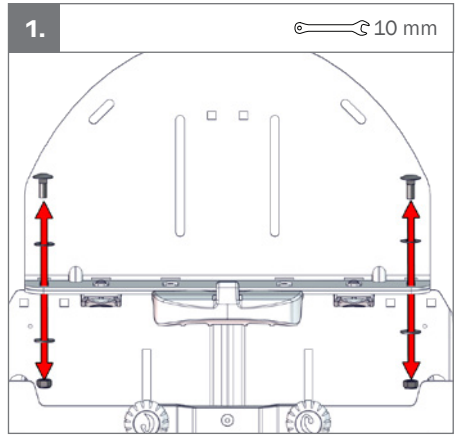
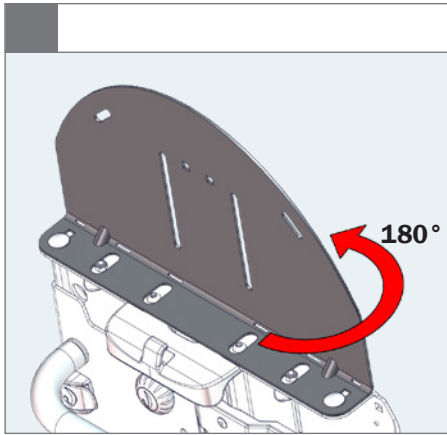


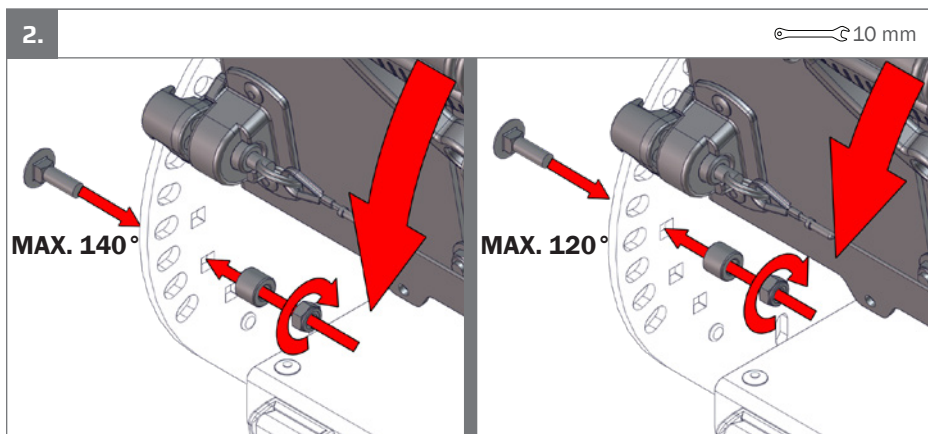
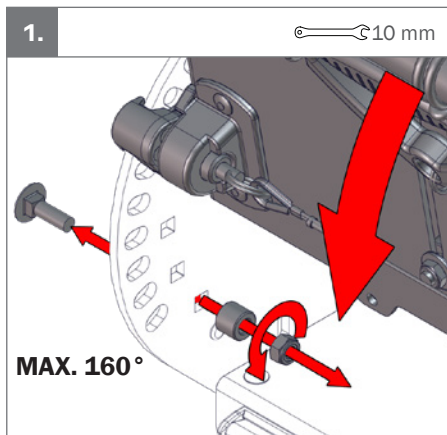
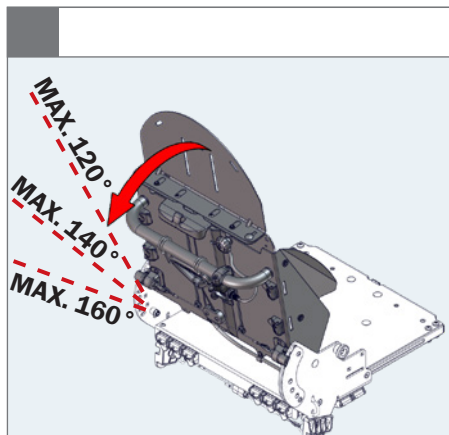


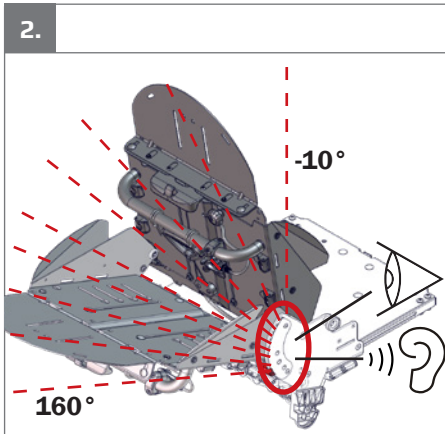
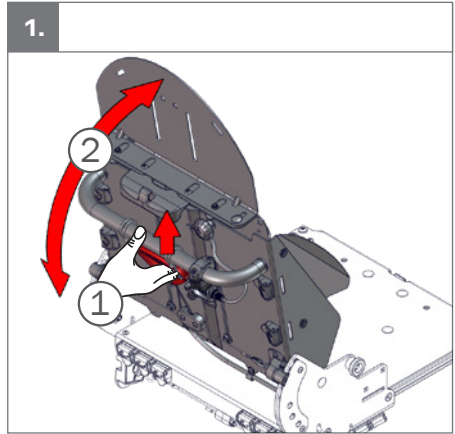
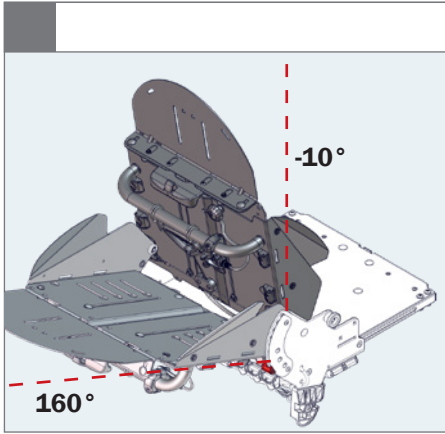
  01 & 05





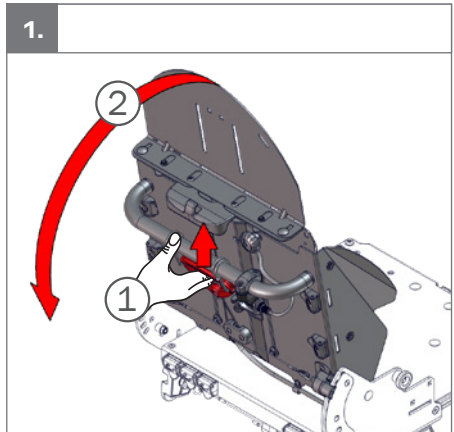
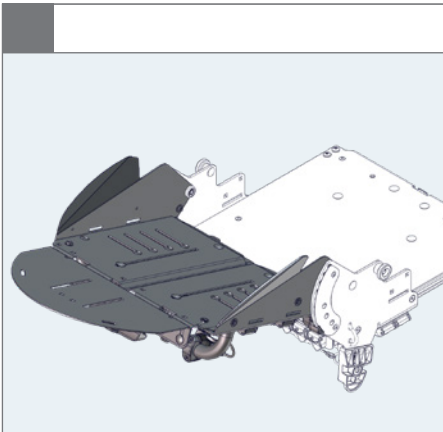
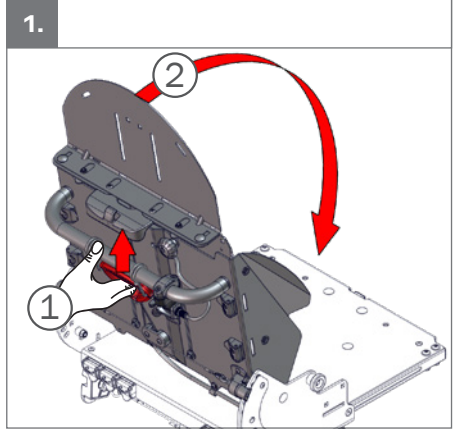
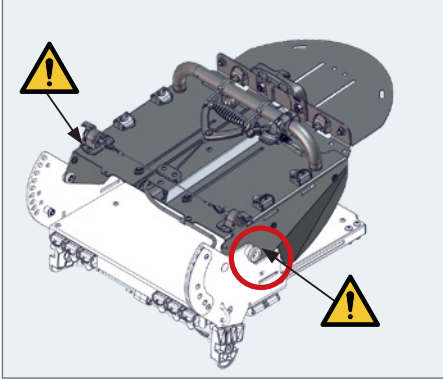






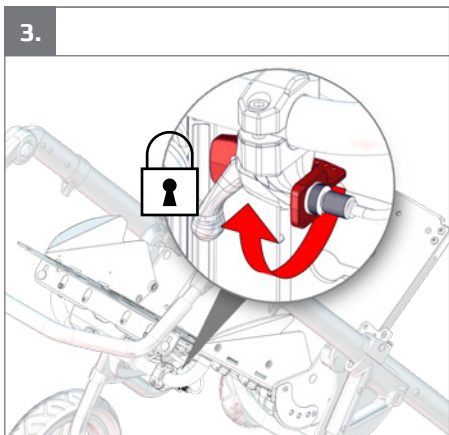
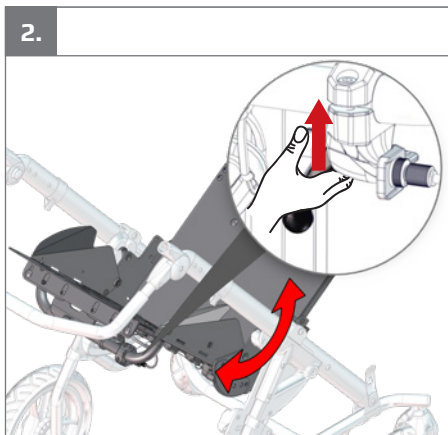
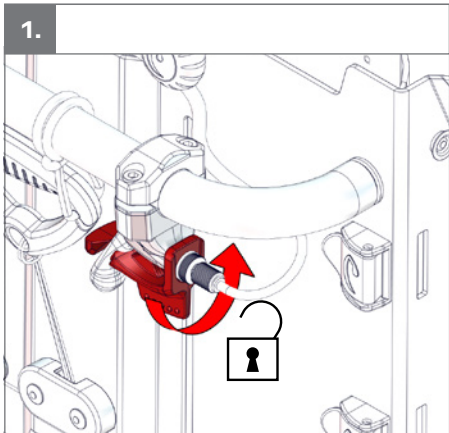
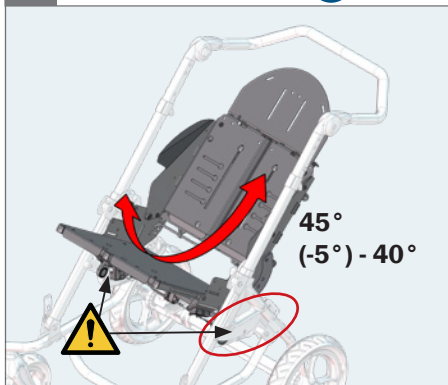


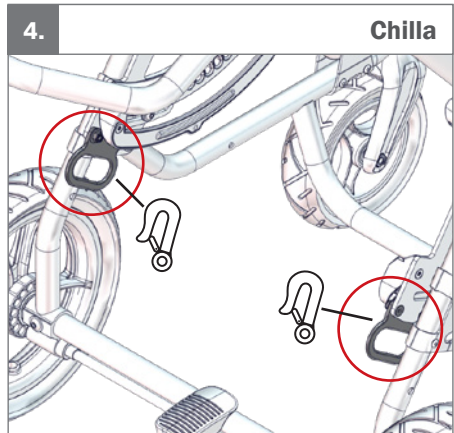
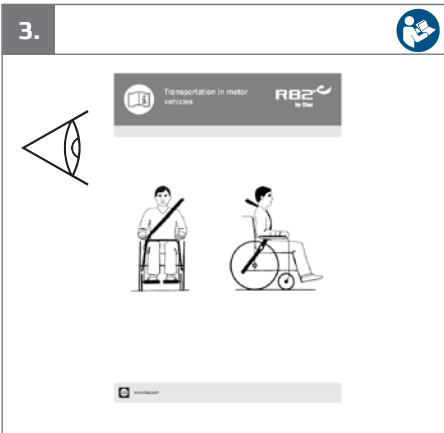
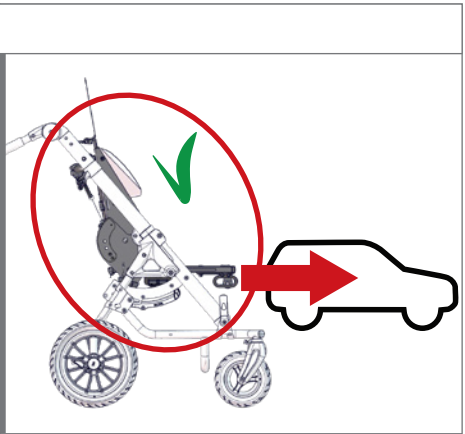
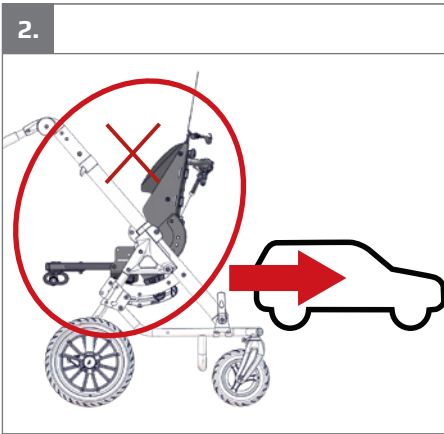
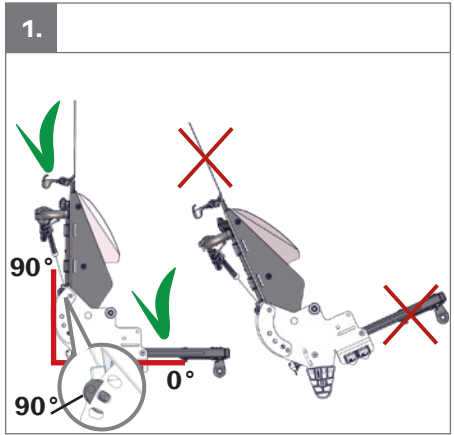
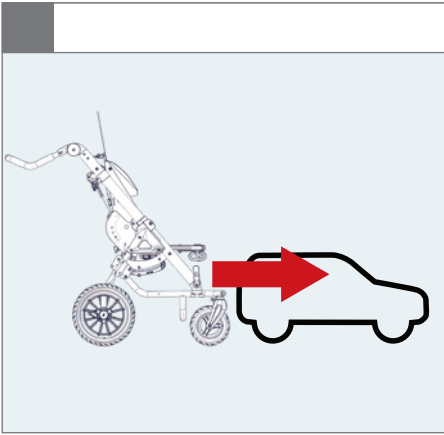
  05





  05

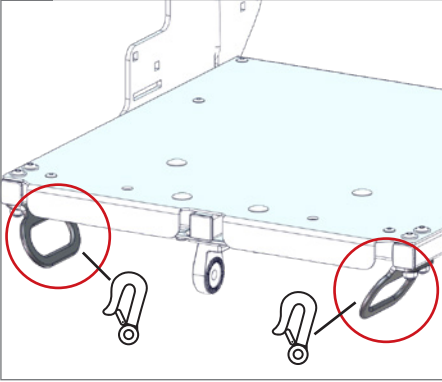


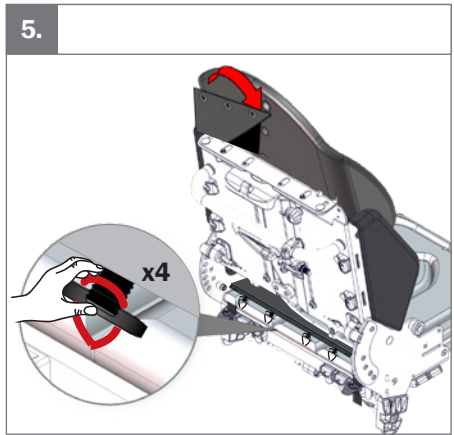
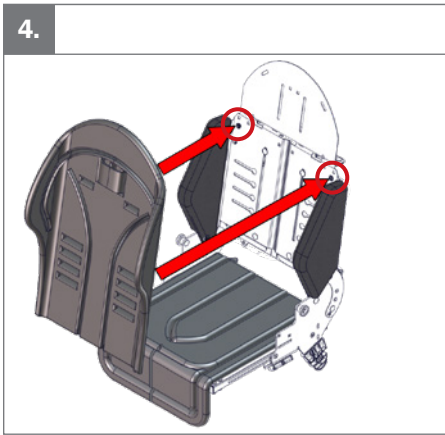
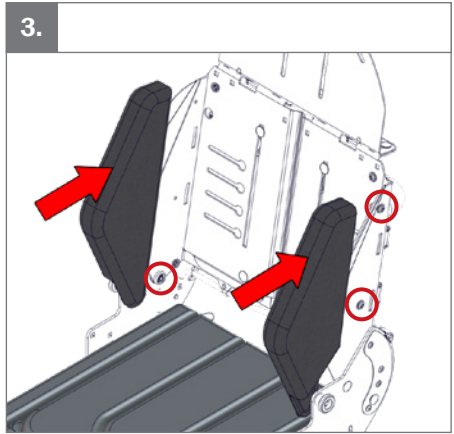
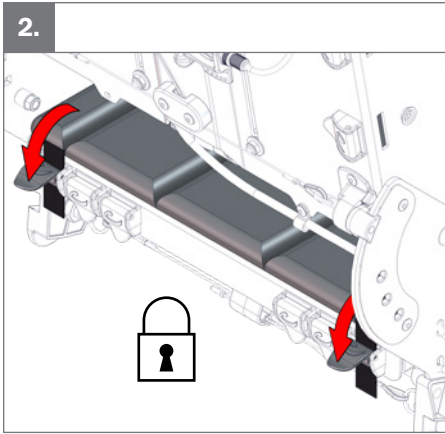
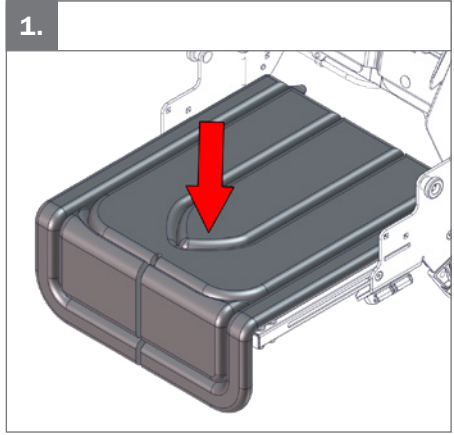




5.

Chilla seat

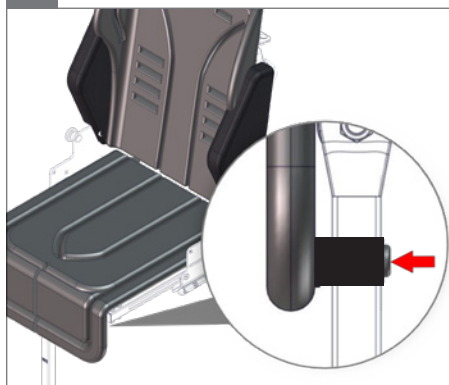


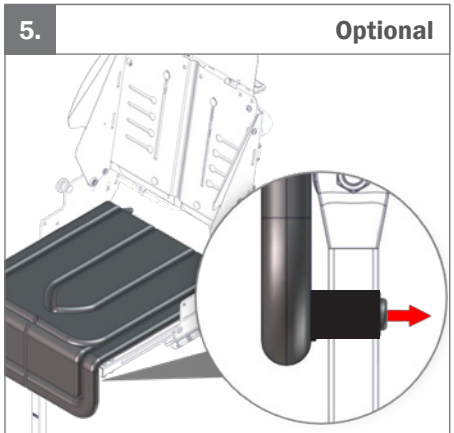
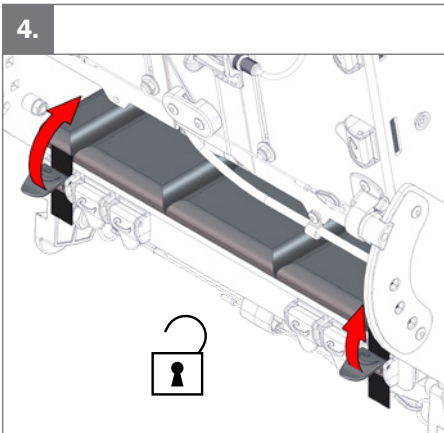
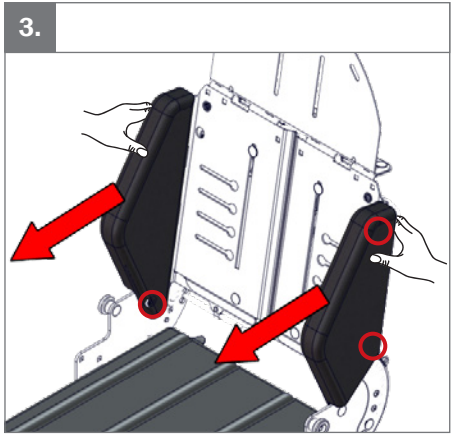
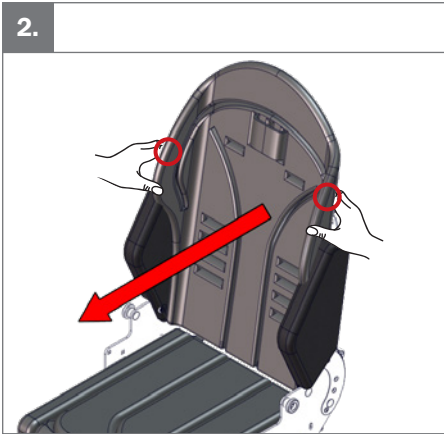
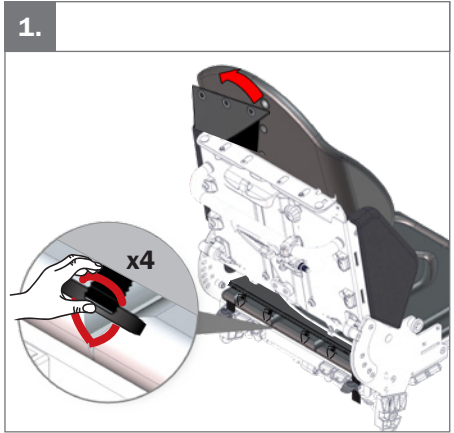
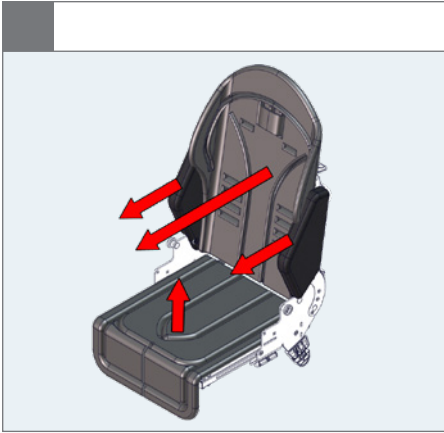




6.

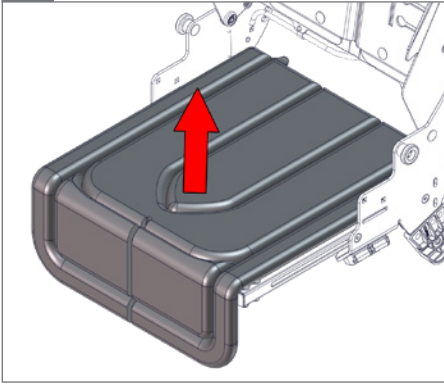
Optional

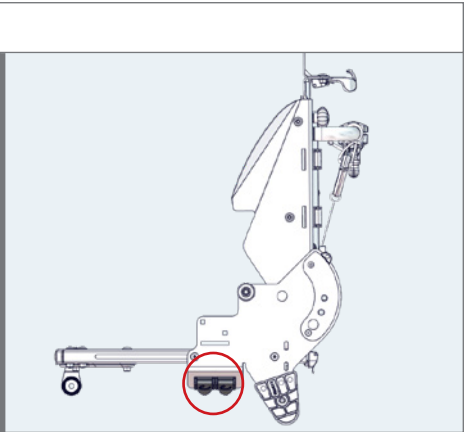
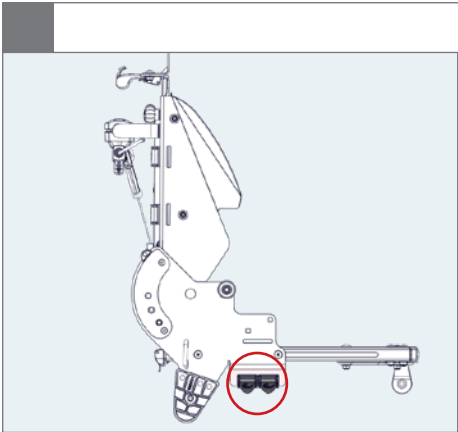
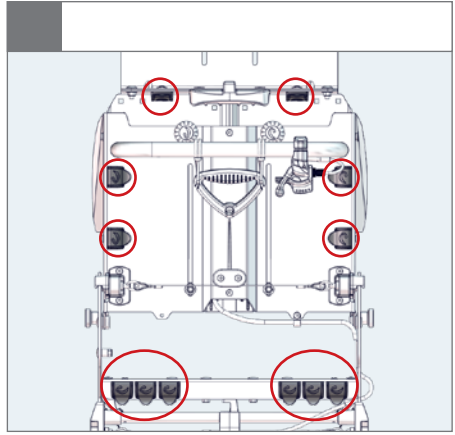
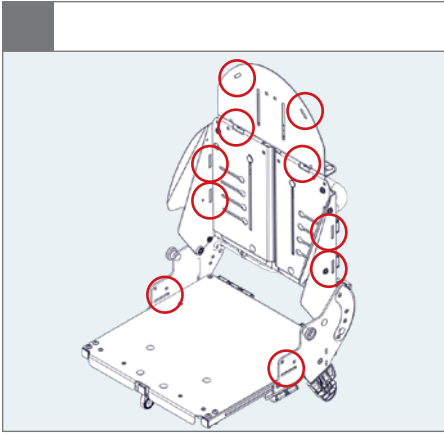


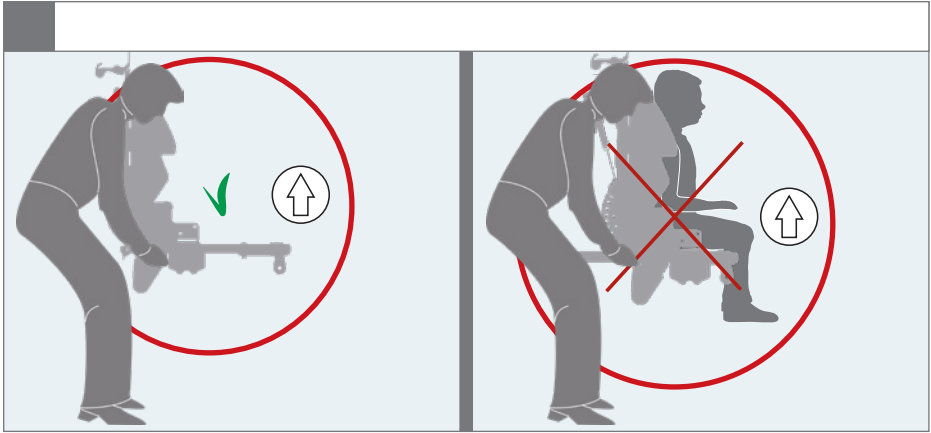


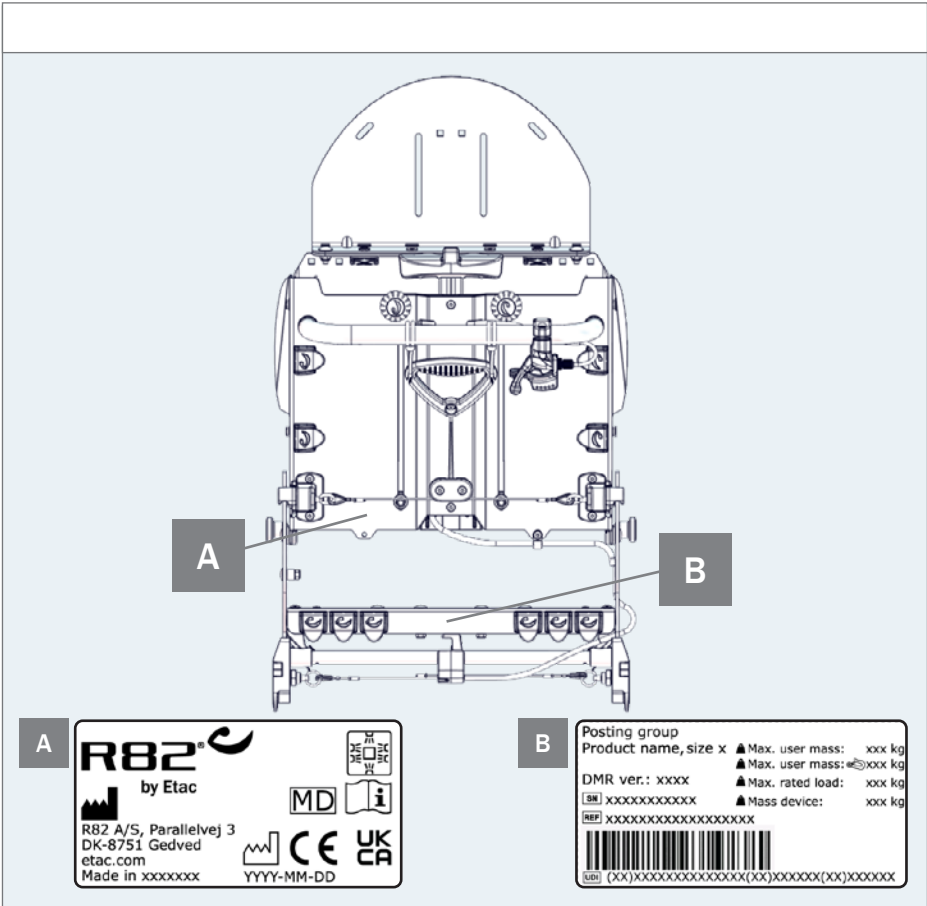


6.









A

R82
 by Etac

R82 A/S, Parallevej 3
 DK-8751 Gedved
 etac.com
 Made in xxxxxxxx

MD

UK CA

YYYY-MM-DD

B

Posting group
 Product name, size x

DMR ver.: xxxx

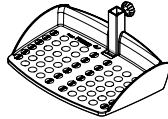
REF xxxxxxxxxxxxxxxxxxxx

▲ Max. user mass: xxx kg
 ▲ Max. user mass: xxx kg
 ▲ Max. rated load: xxx kg
 ▲ Mass device: xxx kg

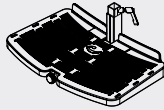
(XX)XXXXXXXXXXXXXXXX(XX)XXXXX(XX)XXXXXX
 (XX)XXXXXXXXXXXXXXXX(XX)XXXXX(XX)XXXXXX



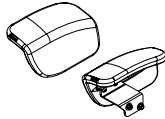
9996098159



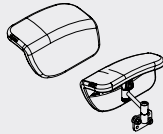
9996098161



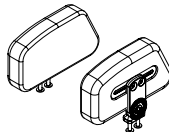
9996097402



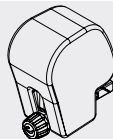
9996098155



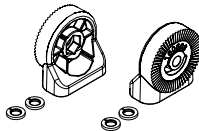
9996098156



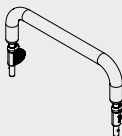
9996098157



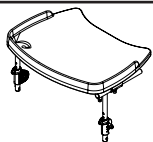
9996098196



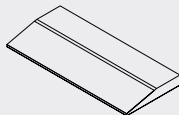
9996098165



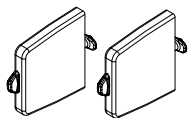
9996098166



9996098179



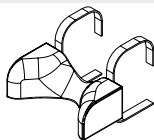
9996097757



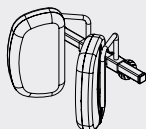
9996098181



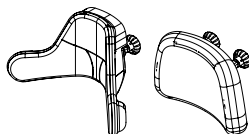
9996098185



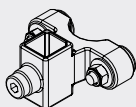
9996098197



9996098184



9996098183



9996098194



9996098167



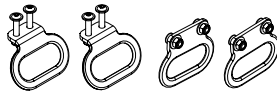
9996098176



9996098213



9996098186



9996098169

UK REP

Etac Ltd.

Unit 60, Hartlebury Trading Estate,
Hartlebury, Kidderminster,
Worcestershire, DY10 4JB
+44 121 561 2222

CH REP

Gelbart AG

Tribschenstraße 64
CH-6005 Luzern
+41 41 367 70 17



R82 A/S

Parallevej 3

DK-8751 Gedved



+45 796 858 88



R82@etac.com



www.etac.com

R82[®] 
by Etac