

Convoid Trekker - WM0001374

Canadian Price List / Order Form

Account #: _____ Purchase Order #: _____ Date: _____
 Contact: _____ ATP/RTS#: _____ Mark For: _____

| | |
|-----------------|-----------------|
| Bill To: | Ship To: |
| Address: | Address: |
| City/State/Zip: | City/State/Zip: |
| Phone: | Phone: |
| Email: | |

Trekker Standard Features:

- | | |
|---|---|
| <ul style="list-style-type: none"> • Trekker Folding Mobility Frame Accepts TR12 & TR14 Seating Systems • Tilt-in-Space (-10° to +45°) • 180° Reversible Seating Configuration • 90° Fixed Front Rigging • 7.5" x 2" Front and 11.5" x 2.5" Rear Solid Tires • One Piece Height Adjustable Push Handle (Inside Mount) | <ul style="list-style-type: none"> • Silver Powder Coated Frame • 90° Fixed Footplate • Quick Release Rear Wheels • Standard Recline 80° to 110° • Depth Adjustable Seat Pan |
|---|---|

Standard Models:

- TR Seating System - C904768
- TR Mobility Frame - C904661

Price

\$0
\$3,613

All prices in CAD

| Trekker Seating System | Price | TR12 | TR14 |
|--|-------|---------|---------|
| <input type="checkbox"/> Seat Width 12" | N/C | C905515 | |
| <input type="checkbox"/> Back Canes Only | N/C | C508446 | |
| <input type="checkbox"/> TR12 Height Adjustable Solid Back 9" - 17" | \$792 | C904662 | |
| <input type="checkbox"/> Seat Width 14" | N/C | | C905516 |
| <input type="checkbox"/> Back Canes Only | N/C | | C508447 |
| <input type="checkbox"/> TR14 Height Adjustable Solid Back 17" -26" | \$792 | | C904663 |
| Back Additional Recline Option | | | |
| <input type="checkbox"/> Recline System (80 to 130 degrees) ¹ | \$725 | C905053 | C905053 |
| Snuggle Back Cushions:** | | | |
| <input type="checkbox"/> TR12 Short 12" x 18" | N/C | C904696 | |
| <input type="checkbox"/> TR14 Tall 14" x 26" | N/C | | C904699 |
| Comfort Side Support Wings | | | |
| <input type="checkbox"/> Comfort Side Support Wing - Left | N/C | C904617 | C904617 |
| <input type="checkbox"/> Comfort Side Support Wing - Right | N/C | C904618 | C904618 |
| Extra Back Cushion Options | | | |
| <input type="checkbox"/> Lumbar Support | \$54 | C904664 | C904664 |
| Seating Depth Position (Select One - See Chart on Bottom of Order Form): | | | |
| <input type="checkbox"/> Seat Depth Position 1 (TR12: 5.5"-8"/TR14: 8"-10") | N/C | C905354 | C905354 |
| <input type="checkbox"/> Seat Depth Position 2 (TR12: 7.5"-10"/TR14: 10"-12") | N/C | C905355 | C905355 |
| <input type="checkbox"/> Seat Depth Position 3 (TR12: 9.5"-12"/TR14: 12"-14") | N/C | C905356 | C905356 |
| <input type="checkbox"/> Seat Depth Position 4 (TR12: NA/TR14: 13"-15") | N/C | | C905360 |
| Planar Seat Cushion*2 | | | |
| <input type="checkbox"/> Snuggle Planar Seat Short Cushion - Standard Fabric (TR12: 12x12) / (TR14: 14x14) | \$445 | C905412 | C904710 |
| <input type="checkbox"/> Snuggle Planar Seat Short Cushion - Spacer Fabric (TR12: 12x12) / (TR14: 14x14) | \$445 | C904708 | C905425 |
| Contoured Seat Cushion*2 | | | |
| <input type="checkbox"/> Snuggle Contoured Seat Long Cushion - Standard Fabric (TR12: 12x14) / (TR14: 14x16) | \$490 | C905415 | C904783 |
| <input type="checkbox"/> Snuggle Contoured Seat Long Cushion - Spacer Fabric (TR12: 12x14) / (TR14: 14x16) | \$490 | C905429 | C905430 |
| Cushion Accent Colors | | | |
| <input type="checkbox"/> Panther Black | N/C | C903854 | C903854 |
| <input type="checkbox"/> Royal Blue | N/C | C903850 | C903850 |
| <input type="checkbox"/> Forest Green | N/C | C903857 | C903857 |
| <input type="checkbox"/> Sassy Purple | N/C | C903851 | C903851 |
| <input type="checkbox"/> Princess Pink | N/C | C903759 | C903759 |
| <input type="checkbox"/> Cherry Red | N/C | C903855 | C903855 |

¹Manufacturer Installation Required.
²Fast tab is only added to Cushion if 3-Pt Belt is added. New Cushion is required if 3-Pt Belt is added after-market.
 *All seat cushions must have fast tab for aftermarket 3-Pt Belt and H-Harness.
 **Back cushion dimensions are seat pan to top of back pan.

| Frame Options | Price | TR12 | TR14 |
|---|-------|---------|---------|
| <input type="checkbox"/> Height Adjustable Push Handle ¹ (Outside Mount) | N/C | C904688 | C904688 |
| <input type="checkbox"/> Caster Locks ¹ | \$141 | C904689 | C904689 |
| <input type="checkbox"/> Curb Tipper (Cannot use with Rear Anti-Tip Tubes) | \$148 | C905310 | C905310 |
| <input type="checkbox"/> Rear Anti-Tip Tubes (Cannot use with Curb Tipper) | \$174 | C904649 | C904649 |

¹Manufacturer Installation Required.

| Transit Required Items | Price | TR12 | TR14 |
|--|-------|---------|---------|
| <input type="checkbox"/> Transit Anchor Brackets ^{1*} | \$302 | C904576 | C904576 |
| <input type="checkbox"/> 2-Point Pelvic Belt | \$68 | C905386 | C905386 |
| <input type="checkbox"/> Using other manufacturer's Head Support | \$0 | C995681 | C995681 |

¹Manufacturer Installation Required.
 *Requires Head Support and Pelvic Belt.

| Transit Option | Price | TR12 | TR14 |
|---|-------|---------|---------|
| <input type="checkbox"/> Q'Straint Transit Lap Belt | \$279 | C903094 | C903094 |

| | <u>Price</u> |
|---|--------------|
| <input type="checkbox"/> Adjustable Wing Head Support (Requires height adjustable solid back system). | \$401 |
| <input type="checkbox"/> Integrated Adj Head Support Assembly (Option only on TR12 Seating System) | \$267 |
| <input type="checkbox"/> R82 Adjustable Width Headrest, Black Cover - Short (Hardware Required) | \$460 |
| <input type="checkbox"/> Turtle Neck Bar System, Short (Required) | \$347 |
| <input type="checkbox"/> Headrest Universal Mount (Required) | \$82 |
| R82 Anatomic Headrest with Black Cover (Hardware Required) | |
| <input type="checkbox"/> Small | \$385 |
| <input type="checkbox"/> Medium | \$385 |
| <input type="checkbox"/> Turtle Neck Bar System, Short (Required) | \$347 |
| <input type="checkbox"/> Headrest Universal Mount (Required) | \$82 |

**The Transit model requires head support selection if other manufacturer's head support is not selected under "Transit Required Items."*

| TR12 | TR14 |
|---------|---------|
| C904608 | C904608 |
| C904615 | |
| C905287 | C905287 |
| C904948 | C904948 |
| C904946 | C904946 |
| | |
| C904950 | C904950 |
| C904951 | C904951 |
| C904948 | C904948 |
| C904946 | C904946 |

| | <u>Price</u> |
|--|--------------|
| <input type="checkbox"/> H-Harness w/ Padded Covers ^{^^} | \$148 |
| Torso Vest by R82 | |
| <input type="checkbox"/> LT Shoulder to RT Hip: 7.75" - 10.75" (Size XS) | \$302 |
| <input type="checkbox"/> LT Shoulder to RT Hip: 10.75" - 12.5" (Size S) | \$302 |
| <input type="checkbox"/> LT Shoulder to RT Hip: 12.5" - 16" (Size M) | \$302 |
| <input type="checkbox"/> LT Shoulder to RT Hip: 16" - 18.5" (Size L) | \$302 |
| <input type="checkbox"/> LT Shoulder to RT Hip: 18.5" - 20.5" (Size XL) | \$302 |
| <input type="checkbox"/> LT Shoulder to RT Hip: 20.5" - 23.5" (Size XXL) | \$302 |
| <input type="checkbox"/> Camlock Kit for Vest (Required) | |
| Cross Vest by R82 | |
| <input type="checkbox"/> LT Shoulder to RT Hip: 7.75" - 12.5" (Size XS) | \$287 |
| <input type="checkbox"/> LT Shoulder to RT Hip: 10.25" - 13.5" (Size S) | \$287 |
| <input type="checkbox"/> LT Shoulder to RT Hip: 13.5" - 17.75" (Size M) | \$287 |
| <input type="checkbox"/> LT Shoulder to RT Hip: 17.75" - 20.75" (Size L) | \$287 |
| <input type="checkbox"/> LT Shoulder to RT Hip: 20.75" - 24.5" (Size XL) | \$287 |
| <input type="checkbox"/> Camlock Kit for Vest (Required) | N/C |

^{^^}Requires the Height Adjustable Solid Back System and 3-Point Pelvic Belt.

| TR12 | TR14 |
|---------|---------|
| C904695 | C904695 |
| | |
| C905476 | C905476 |
| C905152 | C905152 |
| C905153 | C905153 |
| C905154 | C905154 |
| C905480 | C905480 |
| C905481 | C905481 |
| C905394 | C905394 |
| | |
| C905176 | C905176 |
| C905177 | C905177 |
| C905178 | C905178 |
| C905179 | C905179 |
| C905180 | C905180 |
| C905394 | C905394 |

| | <u>Price</u> |
|---|--------------|
| Fixed Laterals - Width, Height, Adj. Lateral Thoracic Support | |
| Left Lateral Padding Selection: | |
| <input type="checkbox"/> Size 1: 4" (D) x 4.5" (H) | \$220 |
| <input type="checkbox"/> Size 2: 5" (D) x 4.5" (H) | \$220 |
| Right Lateral Padding Selection: | |
| <input type="checkbox"/> Size 1: 4" (D) x 4.5" (H) | \$220 |
| <input type="checkbox"/> Size 2: 5" (D) x 4.5" (H) | \$220 |
| Swing-Away Laterals - Height Adj. Lateral Thoracic Support | |
| Left Lateral Padding Selection: | |
| <input type="checkbox"/> Size 1: 4" (D) x 2.75" (H) | \$178 |
| <input type="checkbox"/> Size 2: 5.75" (D) x 4.25" (H) | \$178 |
| <input type="checkbox"/> Swing Away Adj. Hardware (Required for S/A Laterals) | \$359 |
| Right Lateral Padding Selection: | |
| <input type="checkbox"/> Size 1: 4" (D) x 2.75" (H) | \$178 |
| <input type="checkbox"/> Size 2: 5.75" (D) x 4.25" (H) | \$178 |
| <input type="checkbox"/> Swing Away Adj. Hardware (Required for S/A Laterals) | \$359 |
| <input type="checkbox"/> 1" Thick Padded Lateral Support Cover | \$75 |

| | |
|---------|---------|
| | |
| | |
| C904760 | C904760 |
| C904876 | C904876 |
| | |
| C904761 | C904761 |
| C904886 | C904886 |
| | |
| | |
| C904864 | C904864 |
| C904866 | C904866 |
| C904884 | C904884 |
| | |
| | |
| C904865 | C904865 |
| C904867 | C904867 |
| C904885 | C904885 |
| C905411 | C905411 |

| | <u>Price</u> |
|--|--------------|
| <input type="checkbox"/> 2-Point Pelvic Belt | \$68 |
| <input type="checkbox"/> 3-Point Pelvic Belt | \$73 |
| 4-Point Pelvic Belt by R82 (Cannot be paired with 2-Point Pelvic Belt)* | |
| <input type="checkbox"/> Hip Width: 6.75" - 12.5" (Size XS) | \$203 |
| <input type="checkbox"/> Hip Width: 8.25" - 13.75" (Size S) | \$203 |
| <input type="checkbox"/> Hip Width: 9.75" - 16.25" (Size M) | \$203 |
| <input type="checkbox"/> Hip Width: 12.5" - 17.25" (Size L) | \$203 |
| <input type="checkbox"/> Hip Width: 16.25" - 20.5" (Size XL) | \$203 |

**The Transit model requires belt selection if 2-Point Belt is not selected under "Transit Required Items."*

| TR12 | TR14 |
|---------|---------|
| C905386 | C905386 |
| C904017 | C904017 |
| | |
| C905148 | C905148 |
| C905149 | C905149 |
| C905150 | C905150 |
| C905151 | C905151 |
| C905475 | C905475 |

| | <u>Price</u> |
|---|--------------|
| Hip Guides | |
| Hip Guides without Armrest - Height Adj. Lateral Pelvic Support | |
| Left Size Selection: | |
| <input type="checkbox"/> Small - 4.5" - 5.5" (H)* | \$181 |
| <input type="checkbox"/> Large - 5.25" - 6.25" (H)* | \$181 |
| Right Size Selection: | |
| <input type="checkbox"/> Small - 4.5" - 5.5" (H)* | \$181 |
| <input type="checkbox"/> Large - 5.25" - 6.25" (H)* | \$181 |
| Hip Guides with Armrest - Height Adj. Lateral Pelvic Support (Cannot be used with Reversible Tray) | |
| Left Size Selection: | |
| <input type="checkbox"/> Small - 5"-6"(H)* | \$220 |
| <input type="checkbox"/> Large - 7"-8" (H)* | \$220 |
| Right Size Selection: | |
| <input type="checkbox"/> Small - 5"-6"(H) | \$220 |
| <input type="checkbox"/> Large - 7"-8" (H)* | \$220 |
| Medial Knee Abductor (Pommel) | |
| <input type="checkbox"/> Small (1.5" front width, 3.5" depth, 2" back width, 2.25" height) | \$244 |
| <input type="checkbox"/> Medium (2.6" front width, 4.1" depth, 2" back width, 2.7" height) | \$244 |

**Effective Height is reduced by 1" when used with Planar Seat Cushion or 2" if used with Contoured Seat Cushion.*

| TR12 | TR14 |
|---------|---------|
| | |
| | |
| C904935 | C905042 |
| C905040 | C904937 |
| | |
| C904936 | C905043 |
| C905041 | C904938 |
| | |
| | |
| C904611 | C904613 |
| | C904927 |
| | |
| C904612 | C904614 |
| | C904928 |
| | |
| C904557 | C904557 |
| C904591 | C904591 |

| <u>Foot & Leg Positioning</u> | <u>Price</u> |
|--|--------------|
| <input type="checkbox"/> Elevating Leg Rest (90° - 180°)* | \$377 |
| <input type="checkbox"/> Padded Elevating Legrest Cover | \$141 |
| <input type="checkbox"/> Calf Panel (E.I.) H: 3.5" | \$93 |
| <input type="checkbox"/> Calf Panel (Standard) H: 6" | \$93 |
| <input type="checkbox"/> Individual Angle Adjustable Footplates (Elevating Leg Rest Required)* | \$519 |
| <input type="checkbox"/> One Piece Angle Adjustable Flip Up Footplate (-15° - +15°) | \$167 |
| <input type="checkbox"/> Full Padded Footbox (One-Piece Footplate Required) | \$490 |
| Foot Positioners | |
| <input type="checkbox"/> Small 7" - 10" | \$236 |
| <input type="checkbox"/> Medium 8" - 11" | \$236 |
| Therafin Shoe Holders w/Padded Straps | |
| <input type="checkbox"/> Small | \$284 |
| <input type="checkbox"/> Medium | \$284 |

*Manufacturer Installation Required.

| <u>Tire Options</u> | <u>Price</u> |
|--|--------------|
| <input type="checkbox"/> 12.5" x 2" Rear Solid Knobby Tires | \$301 |
| <input type="checkbox"/> 7.5" x 2" Front, 12.5" X 2" Rear Pneumatic Knobby Tires | \$450 |

| <u>Medical Support Accessories</u> | <u>Price</u> |
|--|--------------|
| <input type="checkbox"/> Medical Necessity Storage Basket | \$445 |
| <input type="checkbox"/> IV Pole (Height Adjustable and Collapsible)* | \$288 |
| <input type="checkbox"/> Adj. Swing-Away Hardware (Required for IV Pole) | \$207 |
| <input type="checkbox"/> Vertical O2 Tank Holder** | \$264 |
| <input type="checkbox"/> LTV Ventilator Holder ¹ | \$679 |
| <input type="checkbox"/> Ventilator/Suction/Hard Tray | \$679 |
| <input type="checkbox"/> Extended Ventilator/Suction/Hard Tray | \$679 |

***Manufacturer Installation Required.**
***Requires Rear Anti-Tip Tubes.**
***Cannot be used during transit.**

| <u>Accessories</u> | <u>Price</u> |
|---|--------------|
| <input type="checkbox"/> Headrest Cover (Canopy) | \$344 |
| <input type="checkbox"/> Extended Headrest Cover (Canopy) | \$377 |
| <input type="checkbox"/> Upper Extremity Support Tray (Clear Tray)*^ | \$168 |
| <input type="checkbox"/> Adj Removable Hardware (Required for Clear Tray) | \$343 |
| <input type="checkbox"/> Padded Tray Cover* (Clear Tray Required) | \$99 |
| <input type="checkbox"/> Under Seat Storage Basket | \$172 |
| <input type="checkbox"/> Utility Bag | \$64 |
| <input type="checkbox"/> Rain Cover (Canopy Required) | \$227 |
| <input type="checkbox"/> Mosquito Net (Canopy Required) | \$227 |

***Cannot be used during transit.**
^Not available with Hip Guides with Armrest.

| <u>R82 High-Low:xo Frame Options</u> | <u>Price</u> |
|---|----------------|
| Manual Lifts | |
| <input type="checkbox"/> High-Low:xo Frame, Manual Lift, Indoor, Size 1 | \$2,943 |
| <input type="checkbox"/> Rear Anti-Tip for High-Low:xo Frame | \$302 |

| TR12 | TR14 |
|---------|---------|
| C905046 | C905047 |
| C904619 | C904619 |
| C905370 | C905370 |
| C904580 | C904580 |
| C905049 | C905050 |
| C904568 | C904596 |
| C904955 | C904956 |
| | |
| C903415 | C903415 |
| C903416 | C903416 |
| | |
| C904679 | C904679 |
| C904680 | C904680 |

| TR12 | TR14 |
|---------|---------|
| C904117 | C904117 |
| C904118 | C904118 |

| TR12 | TR14 |
|---------|---------|
| C904606 | C904606 |
| C904566 | C904566 |
| C905612 | C905612 |
| C904565 | C904565 |
| C904671 | C904671 |
| C904595 | C904595 |
| C905416 | C905416 |

| TR12 | TR14 |
|---------|---------|
| C904572 | C904599 |
| C904690 | C904691 |
| C904556 | C904590 |
| C905361 | C905361 |
| C904586 | C904610 |
| C904605 | C904605 |
| C904531 | C904531 |
| C904790 | C904791 |
| C904788 | C904789 |

| TR12 | TR14 |
|---------|---------|
| C905632 | C905632 |
| C905633 | C905633 |

The Trekker Transit option includes four manufacturer installed black wheelchair transportation anchors. The Trekker Transit model has been crash tested and conforms to RESNA WC19 standards and ISO 7176-19:2022.

Do not use the foot positioners on the Convoid Trekker during transit in a motor vehicle.

If the Trekker with back canes only option is selected it is the providers responsibility to ensure the seating components are WC20 compatible, mounted on the Trekker Mobility Base that conforms to RESNA WC19 and ISO 7176-19:2022 standards.

HCPCS codes are provided for your convenience and are NOT to be considered billing or legal advice. Providers are responsible for insuring that appropriate billing codes are used when submitting claims. Proper use of HCPCS codes does not insure coverage or payment. Contact the appropriate payer for coverage information.

Standard Shipping Rates: Ground \$71.95 • For expedited shipping rates, please call 1-844-876-6245 or email convoidsales.us@etac.com

Prices in CAD & subject to change, ex works Torrance, California.

Convoid
 2830 California Street
 Torrance, CA 90503
 1 844-US-MOBILITY (844-876-6245)
 www.etac.us.com

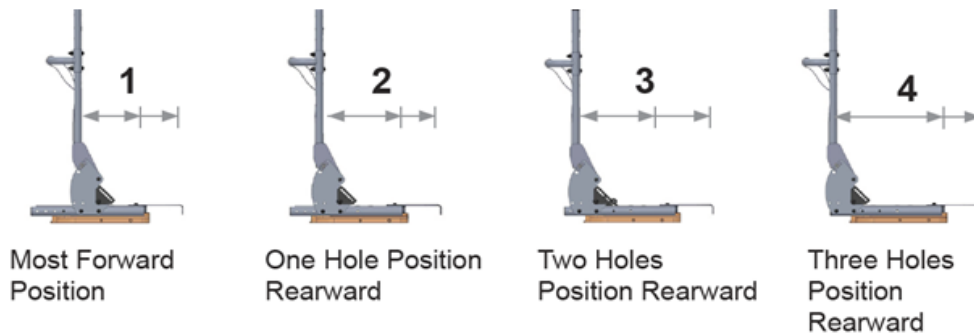
Effective: 2/1/2025

OF0701-ENG-REV.01



Seat Depth Adjustable Positions:

| Seat Depth Growth | | | | |
|-------------------|-----------|------------|------------|-----------|
| Position: | 1 | 2 | 3 | 4 |
| TR12: | 5.5" - 8" | 7.5" - 10" | 9.5" - 12" | N/A |
| TR14: | 8" - 10" | 10" - 12" | 12" - 14" | 13" - 15" |



Trekker Top Vests Belt Slot (Shoulder) Height from Seat Pan

| | Minimum | Maximum |
|-----------------------------|---------|---------|
| TR12 Integrated Headrest | 9" | 13" |
| TR12 Separate Headrest | 13" | 17" |
| TR14 Separate Headrest | 17" | 26" |

Seating Module Specifications:**Convoid Trekker Seating Module Specifications**

| Seat Width with Accessories | TR 12 (Size 1) | TR 14 (Size 2) |
|---|------------------------|-------------------------|
| Trunk Width between Fixed Laterals (With Comfort Wings/Without Comfort Wings) | 7.5" - 8" / 7.5" - 12" | 9.5" - 10" / 9.5" - 14" |
| Trunk Width between Swing-Away Laterals (With Comfort Wings/Without Comfort Wings) | 6" - 8" / 6" - 10" | 7" - 9.5" / 7" - 14" |
| Hip Width between Hip Guides Without Armrests | 5.5" - 11.5" | 6.5" - 14" |
| Hip Width between Hip Guides With Armrests | 5.5" - 11.5" | 6.5" - 14" |

Convoid Trekker Seat to Footplate Dimensions

| Seat to Footplate Dimensions | TR 12 (Size 1) | TR 14 (Size 2) |
|--|-----------------------|-----------------------|
| Fixed 90° with one piece footplate | 5.5" - 11.5" | 5.5" - 11.5" |
| Fixed 90° with one piece footplate (flipped) | 3.25" - 9.25" | 3.25" - 9.25" |
| ELR with one piece footplate | 4.75" - 10.75" | 6.25" - 12.25" |
| ELR with one piece footplate (flipped) | 2" - 8" | 4.25" - 10.25" |
| ELR with individual footplates | 5" - 11" | 7" - 13" |
| ELR with individual footplates (flipped) | 2" - 5" | 4" - 7" |